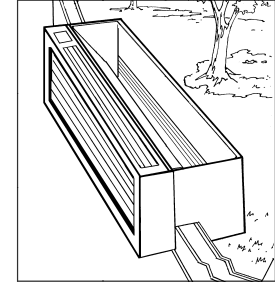
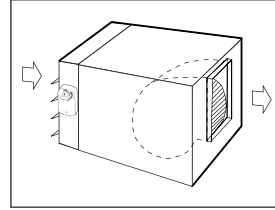
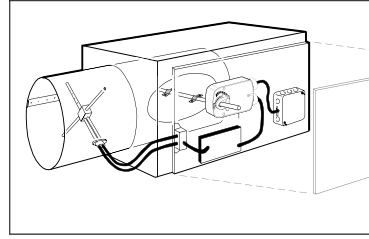


# LF Series Spring Return Direct Coupled Actuator



## Minimum 35 in-lb Torque

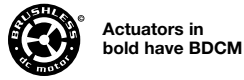
- For damper areas up to 8 sq-ft\*



## Applications

Cost effective quality and performance for a range of applications including:

- Classroom Unit Ventilators
- Fan/Coil Units
- Airhandlers
- VAV Terminal Units
- Economizer Units
- Control Dampers



Actuators in bold have BDCM

## LF Series - At A Glance

		<i>LF24 US (p. 95)</i>	<i>LF24-S US (p. 95)</i>	<i>LF120 US (p. 97)</i>	<i>LF120-S US (p. 97)</i>	<i>LF230 US (p. 97)</i>	<i>LF230-S US (p. 97)</i>	<i>LF24-3- US (p. 99)</i>	<i>LF24-3-S US (p. 99)</i>	<i>LF24-3-R US (p. 101)</i>	<i>LF24-3-S US (p. 101)</i>	<i>LF24-SR US (p. 103)</i>	<i>LF24-SR-S US (p. 103)</i>	<i>LF24-SR-E US (p. 105)</i>	<i>LF24-ECON-R03 US (p. 109)</i>	<i>LF24-ECON-R10 US (p. 109)</i>	<i>LF24-MFT US (p. 113)</i>	<i>LF24-MFT-S US (p. 113)</i>	<i>LF24-MFT-20 US (p. 115)</i>	<i>LF24-MFT-20-S US (p. 115)</i>
Torque:	35 in-lb	●	●	●	●	●	●	●	●	●	●	●	●	●	●	●	●	●	●	●
Power supply:	24 VAC/DC	●	●					●	●	●	●	●	●	●	●	●	●	●	●	●
	120 VAC			●	●															
	230 VAC					●	●													
Control signal:	On/Off	●	●	●	●	●	●													
	floating point							●	●	●	●									
	proportional 2 to 10 VDC											●	●	●						
	6 to 9 VDC																		●	●
	multi-function**																	●	●	
	3kΩ NTC type 10 thermistor															●				
	10kΩ NTC type 7 thermistor																●			
Feedback:	2 to 10 VDC											●	●	●	●	●				
	VDC variable**																●	●	●	●
Auxiliary output, 20 VDC (to power controller)																		●	●	●
Running time motor:	<40 to 75 seconds	●	●	●	●	●	●													
	150 seconds constant							●	●			●	●	●						
	90 seconds constant									●	●									
	95 seconds constant														●	●				
	adj. 75 to 300 seconds***																	●	●	●
	spring: <25 seconds	●	●	●	●	●	●	●	●	●	●	●	●	●	●	●	●	●	●	●
External direction of rotation switch								●	●	●	●	●	●	●	●	●	●	●	●	●
Plenum rated cable, 18 GA								●		●		●		●	●	●				
Conduit fitting		●	●	●	●	●	●	●	●	●	●	●	●	●	●	●	●	●	●	●
Appliance cable, 18 GA		●	●	●	●	●	●			●		●		●			●	●	●	●
Built-in auxiliary switch			●		●		●			●		●					●		●	●

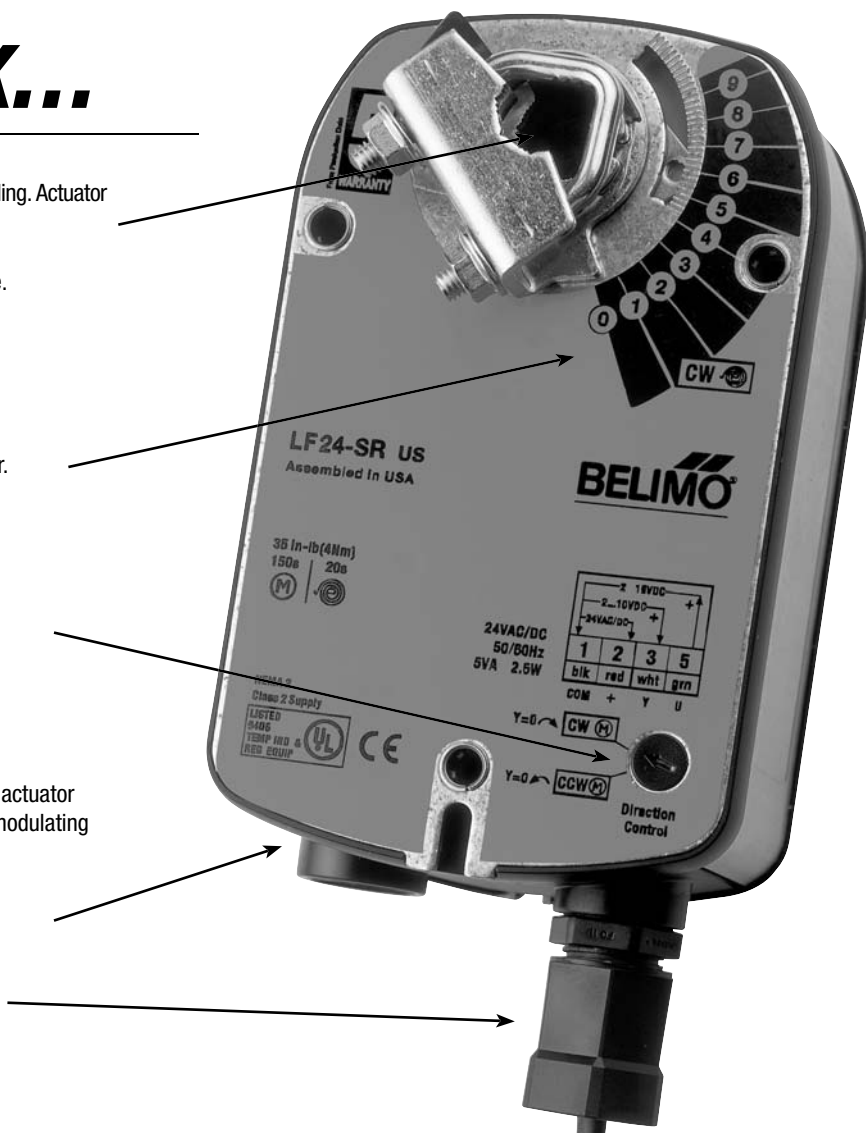
LF24-SR-E US operation.....(p. 107)  
 General wiring .....(p. 122)

Installation instructions.....(p. 117-120)  
 Start-up and checkout.....(p. 123)

\*Based on 4 in-lb/ft² damper torque loading. Parallel blade. No edge seals. \*\*Default 2 to 10 VDC. \*\*\*Default 150 seconds.

# A CLOSER LOOK...

- Cut labor costs with (10 min. installation) simple direct coupling. Actuator Centers on 1/2" shaft (K6-1, 3/4" clamp optional).
- True mechanical spring return – the most reliable failsafe.
- Mount for clockwise or counterclockwise fail-safe.
- Easy-to-adjust mechanical stop to limit damper rotation.
- Check damper position easily with clear position indicator.
- Don't worry about actuator burn-out. Belimo is overload-proof throughout rotation.
- Need to change control direction? Do it easily with a simple switch (modulating actuators).
- Built-in auxiliary switch is easy to use, offers feedback or signal for additional device.
- Microprocessor-controlled brushless DC motor increases actuator life span and reliability, provides constant running time (modulating actuators).
- Rugged metal housing withstands rough handling in the mechanical room.
- 3 ft. cable and conduit connector eases installation.



## The Belimo Difference

- **Customer Commitment.**  
Extensive product range. Application assistance.  
Same-day shipments. Free technical support. Five year warranty.
- **Low Installation and Life-Cycle Cost.**  
Easy installation. Accuracy and repeatability.  
Low power consumption. No maintenance.
- **Long Service Life.**  
Components tested before assembly. Every product tested before shipment.  
30+ years direct coupled actuator design.

M40024 - 05/10 - Subject to change. © Belimo Aircontrols (USA), Inc.

# LF24(-S) US

On/Off, Spring Return, 24V



Technical Data		LF24(-S) US
Power supply		24 VAC ± 20% 50/60 Hz 24 VDC ± 10%
Power consumption	running	5 W
	holding	2.5 W
Transformer sizing		7 VA (class 2 power source)
Electrical connection		3 ft, 18 GA appliance cable (LF24-S US has 2 cables)
Overload protection		electronic throughout 0 to 95° rotation
Angle of rotation		max. 95°, adjust. with mechanical stop
Torque		35 in-lb [4 Nm]
Direction of rotation		reversible with cw/ccw mounting
Position indication		visual indicator, 0° to 95° (0° is spring return position)
Running time (nominal)	motor	< 40 to 75 sec
	spring	< 25 sec @ -4°F to 122°F [-20°C to 50°C] < 60 sec @ -22°F [-30°C]
Humidity		5 to 95% RH non-condensing
Ambient temperature		-22°F to 122°F [-30°C to 50°C]
Storage temperature		-40°F to 176°F [-40°C to 80°C]
Housing		NEMA type 2 / IP54
Housing material		zinc coated steel
Agency listings		cULus acc. to UL 873 and CAN/CSA C22.2 No. 24-93
Noise level (max)	running	< 50 db (A)
	spring return	62 db (A)
Servicing		maintenance free
Quality standard		ISO 9001
Weight	LF24	3.1 lbs (1.40 kg)
	LF24-S	3.2 lbs (1.45 kg)
<b>LF24-S US</b>		
Auxiliary switch		1 x SPDT 3A (0.5A) @ 250 VAC, UL Approved adjustable 0° to 95° (double insulated)

**Torque min. 35 in-lb, for control of air dampers**

## Application

For On/Off, fail-safe control of dampers in HVAC systems. Actuator sizing should be done in accordance with the damper manufacturer's specifications. Control is On/Off from an auxiliary contact, digital output, or a manual switch.

The actuator is mounted directly to a damper shaft from 3/8" up to 1/2" in diameter by means of its universal clamp, 1/2" shaft centered at delivery. For shafts up to 3/4" use K6-1 accessory. A crank arm and several mounting brackets are available for applications where the actuator cannot be direct coupled to the damper shaft.

## Operation

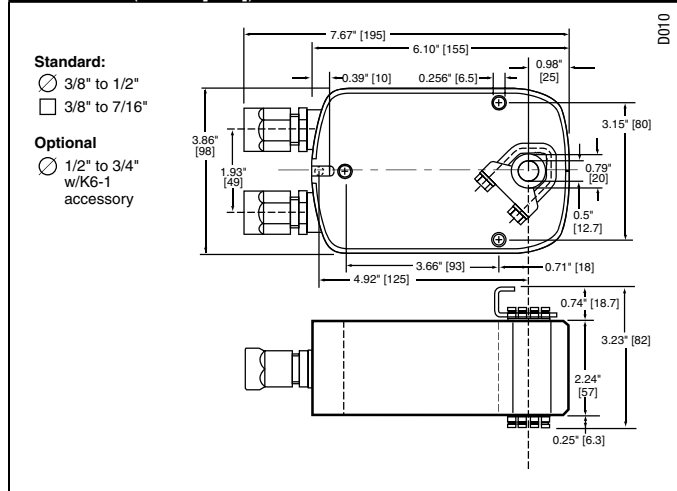
The LF series actuators provide true spring return operation for reliable fail-safe application and positive close off on air tight dampers. The spring return system provides consistent torque to the damper with, and without, power applied to the actuator.

The LF series provides 95° of rotation and is provided with a graduated position indicator showing 0° to 95°.

The actuator may be stalled anywhere in its normal rotation without the need of mechanical end switches. Power consumption is reduced in holding mode.

The LF24-S US version is provided with one built in auxiliary switch. This SPDT switch is provided for safety interfacing or signaling, for example, for fan start-up. The switching function is adjustable between 0° and 95°. The auxiliary switch in the LF24-S is double insulated so an electrical ground connection is not necessary.

## Dimensions (Inches [mm])



M40024 - 05/10 - Subject to change. © Belimo Aircontrols (USA), Inc.

### Accessories

AV 10-18	Shaft extension (K6-1 is required)
IND-LF	Damper position indicator
K6-1	Universal clamp for up to 3/4" diameter shafts
KH-LF	Crank arm for up to 1/2" round shaft
Tool-06	8mm and 10 mm wrench
ZG-LF2	Crank arm adaptor kit for LF
ZG-112	Mounting bracket for Honeywell Mod IV, M6415 type actuators, and new installations
ZG-LF112	Crank arm adaptor kit for Honeywell Mod IV, M6415 type actuators, and new installations
ZS-100	Weather shield (metal)
ZS-150	Weather shield (polycarbonate)
ZS-260	Explosion-proof housing

**NOTE:** When using LF24 US and LF24-S US actuators, only use accessories listed on this page.  
For actuator wiring information and diagrams, refer to Belimo Wiring Guide.

### Typical Specification

On/Off spring return damper actuators shall be direct coupled type which require no crank arm and linkage and be capable of direct mounting to a shaft up to a 3/4" diameter and center a 1/2" shaft. The actuators must be designed so that they may be used for either clockwise or counterclockwise fail-safe operation. Actuators shall be protected from overload at all angles of rotation. If required, one SPDT auxiliary switch shall be provided having the capability of being adjustable. Actuators with auxiliary switch must be constructed to meet the requirements for Double Insulation so an electrical ground is not required to meet agency listings. Actuators shall be cULus listed, have a 5 year warranty, and be manufactured under ISO 9001 International Quality Control Standards. Actuators shall be as manufactured by Belimo.

### Wiring Diagrams

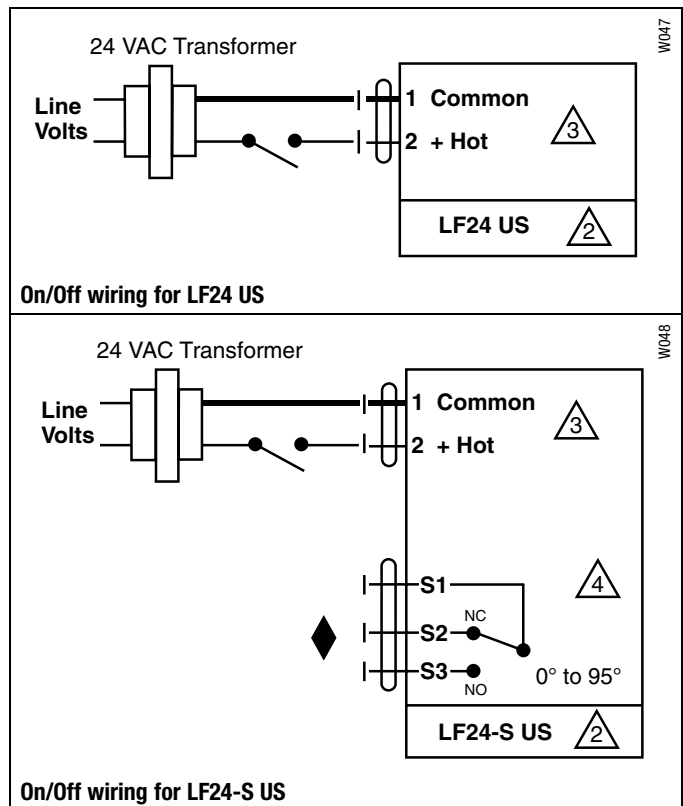
#### ✂️ INSTALLATION NOTES

- 1 Provide overload protection and disconnect as required.
- 2 **CAUTION Equipment Damage!**  
Actuators may be connected in parallel. Power consumption and input impedance must be observed.
- 3 Actuators may also be powered by 24 VDC.
- 4 For end position indication, interlock control, fan startup, etc., LF24-S US incorporates a built-in auxiliary switch: 1 x SPDT, 3A (0.5A) @250 VAC, UL Approved, adjustable 0° to 95°.

#### 📄 APPLICATION NOTES

◆ Meets cULus requirements without the need of an electrical ground connection.

⚠️ **WARNING Live Electrical Components!**  
During installation, testing, servicing and troubleshooting of this product, it may be necessary to work with live electrical components. Have a qualified licensed electrician or other individual who has been properly trained in handling live electrical components perform these tasks. Failure to follow all electrical safety precautions when exposed to live electrical components could result in death or serious injury.



# LF120(-S) US / LF230(-S) US

On/Off, Spring Return, 120/230 VAC



Technical Data		LF120(-S) US / LF230(-S) US
Power supply	LF120(-S) US LF230(-S) US	120 VAC ± 10% 50/60 Hz 230 VAC ± 10% 50/60 Hz
Power consumption		
	LF120(-S) US	running 5.5 W holding 3.5 W
	LF230(-S) US	running 5 W holding 3 W
Transformer sizing		
	LF120(-S) US LF230(-S) US	7.5 VA 7 VA
Electrical connection		3 ft, 18 GA appliance cable (-S models have 2 cables) 1/2" conduit connector
Overload protection		electronic throughout 0 to 95° rotation
Electrical protection		actuators are double insulated
Angle of rotation		max 95°, adjust. with mechanical stop
Torque		35 in-lb [4 Nm] constant torque
Direction of rotation		reversible with cw/ccw mounting
Position indication		visual indicator, 0° to 95° (0° is spring return position)
Electrical protection		actuators are double insulated
Running time (nominal)	motor spring	< 40 to 75 sec < 25 sec @ -4°F to 122°F [-20°C to 50°C] < 60 sec @ -22°F [-30°C]
Humidity		5 to 95% RH non-condensing
Ambient temperature		-22°F to 122°F [-30°C to 50°C]
Storage temperature		-40°F to 176°F [-40°C to 80°C]
Housing		NEMA type 2 / IP54
Housing material		zinc coated steel
Agency listings		cULus acc. to UL 873 and CAN/CSA C22.2 No. 24-93
Noise level (max)	running spring return	< 50 db (A) 62 db (A)
Servicing		maintenance free
Quality standard		ISO 9001
Weight	LF120/230 LF120/230-S	3.4 lbs (1.54 kg) 3.5 lbs (1.60 kg)
<b>LF120-S US / LF230-S US</b>		
Auxiliary switch		1 x SPDT 3A (0.5A) @ 250 VAC, UL Approved adjustable 0° to 95°

**Torque min. 35 in-lb, for control of air dampers**

## Application

For On/Off, fail-safe control of dampers in HVAC systems. Actuator sizing should be done in accordance with the damper manufacturer's specifications. Control is On/Off from an auxiliary contact, or a manual switch.

The actuator is mounted directly to a damper shaft from 3/8" up to 1/2" in diameter by means of its universal clamp, 1/2" shaft centered at delivery. For shafts up to 3/4" use K6-1 accessory. A crank arm and several mounting brackets are available for applications where the actuator cannot be direct coupled to the damper shaft.

## Operation

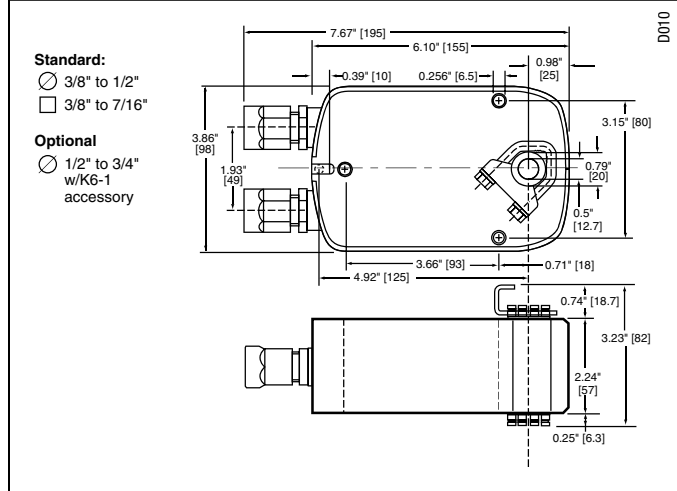
The LF series actuators provide true spring return operation for reliable fail-safe application and positive close off on air tight dampers. The spring return system provides consistent torque to the damper with, and without, power applied to the actuator.

The LF series provides 95° of rotation and is provided with a graduated position indicator showing 0° to 95°.

The actuator may be stalled anywhere in its normal rotation without the need of mechanical end switches. Power consumption is reduced in holding mode. The actuator is double insulated so an electrical ground connection is not necessary.

The LF120-S US and LF230-S US versions are provided with one built-in auxiliary switch. This SPDT switch is provided for safety interfacing or signaling, for example, for fan start-up. The switching function is adjustable between 0° and 95°.

## Dimensions (Inches [mm])



M40024 - 05/10 - Subject to change. © Belimo Aircontrols (USA), Inc.

**Accessories**

AV 10-18	Shaft extension (K6-1 is required)
IND-LF	Damper position indicator
K6-1	Universal clamp for up to 3/4" diameter shafts
KH-LF	Crank arm for up to 1/2" round shaft
Tool-06	8mm and 10 mm wrench
ZG-LF2	Crank arm adaptor kit for LF
ZG-112	Mounting bracket for Honeywell Mod IV, M6415 type actuators, and new installations
ZG-LF112	Crank arm adaptor kit for Honeywell Mod IV, M6415 type actuators, and new installations
ZS-100	Weather shield (metal)
ZS-150	Weather shield (polycarbonate)
ZS-260	Explosion-proof housing

**NOTE:** When using LF120/230 US & LF120-S/230-S US actuators, only use accessories listed on this page.  
For actuator wiring information and diagrams, refer to Belimo Wiring Guide.

**Typical Specification**

On/Off spring return damper actuators shall be direct coupled type which require no crank arm and linkage and be capable of direct mounting to a shaft up to a 3/4" diameter and center a 1/2" shaft. The actuators must be designed so that they may be used for either clockwise or counterclockwise fail-safe operation. Actuators shall be protected from overload at all angles of rotation. If required, one SPDT auxiliary switch shall be provided having the capability of being adjustable. Actuators must be constructed to meet the requirements for Double Insulation so an electrical ground is not required to meet agency listings. Actuators shall be cULus listed, have a 5 year warranty, and be manufactured under ISO 9001 International Quality Control Standards. Actuators shall be as manufactured by Belimo.

**Wiring Diagrams**
**INSTALLATION NOTES**

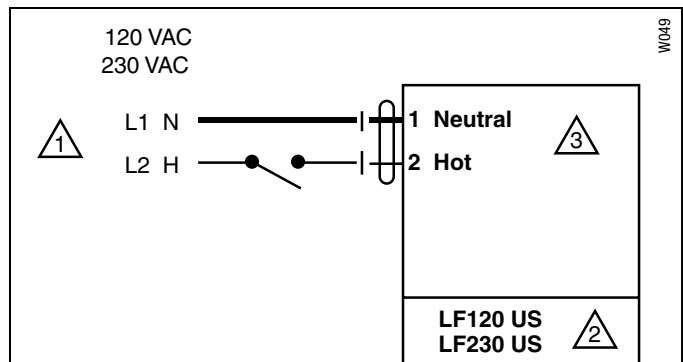
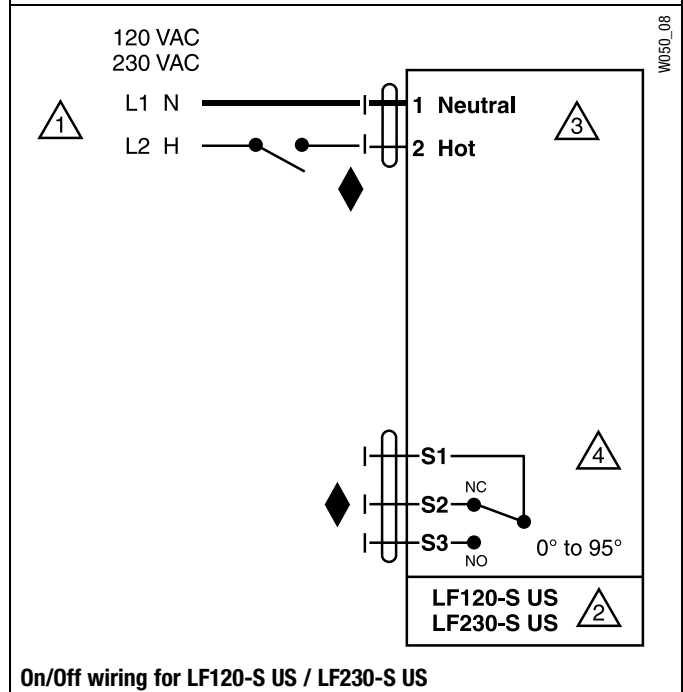
- 1 Provide overload protection and disconnect as required.
- 2 **CAUTION Equipment Damage!**  
Actuators may be connected in parallel. Power consumption and input impedance must be observed.
- 3 No ground connection is required.
- 4 For end position indication, interlock control, fan startup, etc., LF120-S US and LF230-S US incorporate one built-in auxiliary switch: 1 x SPDT, 3A (0.5A) @250 VAC, UL Approved, adjustable 0° to 95°.

**APPLICATION NOTES**

- ◆ Meets cULus requirements without the need of an electrical ground connection.

**WARNING Live Electrical Components!**

During installation, testing, servicing and troubleshooting of this product, it may be necessary to work with live electrical components. Have a qualified licensed electrician or other individual who has been properly trained in handling live electrical components perform these tasks. Failure to follow all electrical safety precautions when exposed to live electrical components could result in death or serious injury.


**On/Off wiring for LF120 US / LF230 US**

**On/Off wiring for LF120-S US / LF230-S US**

# LF24-3(-S) US

On/Off, Floating Point, Spring Return, 24V



Technical Data		LF24-3(-S) US
Power supply		24 VAC $\pm$ 20% 50/60 Hz 24 VDC $\pm$ 10%
Power consumption	running	2.5 W
	holding	1 W
Transformer sizing		5 VA (class 2 power source)
Electrical connection	LF24-3 US	3 ft, plenum rated cable 1/2" conduit connector
	LF24-3-S US	3 ft, 18 GA appliance cables (2) 1/2" conduit connectors
Overload protection		electronic throughout 0 to 95° rotation
Input impedance		1000 $\Omega$ (0.6w) control inputs
Angle of rotation		max. 95°, adjust. with mechanical stop
Torque		35 in-lb [4 Nm]
Direction of rotation	spring	reversible with cw/ccw mounting
	motor	reversible with built-in switch
Position indication		visual indicator, 0° to 95° (0° is spring return position)
Running time	motor	150 sec constant, independent of load
	spring	< 25 sec @ -4°F to 122°F [-20°C to 50°C] < 60 sec @ -22°F [-30°C]
Humidity		5 to 95% RH non-condensing
Ambient temperature		-22°F to 122°F [-30°C to 50°C]
Storage temperature		-40°F to 176°F [-40°C to 80°C]
Housing		NEMA type 2 /IP54
Housing material		zinc coated metal
Agency listings		cULus acc. to UL 873 and CAN/CSA C22.2 No. 24-93
Noise level (max)	running	< 30 db (A)
Servicing		maintenance free
Quality standard		ISO 9001
Weight	LF24-3	3.1 lbs (1.40 kg)
	LF24-3-S	3.6 lbs (1.45 kg)

LF24-3-S US	
Auxiliary switch	1 x SPDT 3A (0.5A) @ 250 VAC, UL Approved adjustable 0° to 95° (double insulated)

**Torque min. 35 in-lb, for control of air dampers**

## Application

For modulation or On/Off control of dampers in HVAC systems. Actuator sizing should be done in accordance with the damper manufacturer's specifications.

The actuator is mounted directly to a damper shaft from 3/8" up to 1/2" in diameter by means of its universal clamp, 1/2" shaft centered at delivery. For shafts up to 3/4" use K6-1 accessory. A crank arm and several mounting brackets are available for applications where the actuator cannot be direct coupled to the damper shaft.

Control is floating point from a triac or relay, or On/Off from an auxiliary contact from a fan motor contactor, controller, or manual switch.

## Operation

The LF series actuators provide true spring return operation for reliable fail-safe application and positive close-off on air tight dampers. The spring return system provides consistent torque to the damper with, and without, power applied to the actuator.

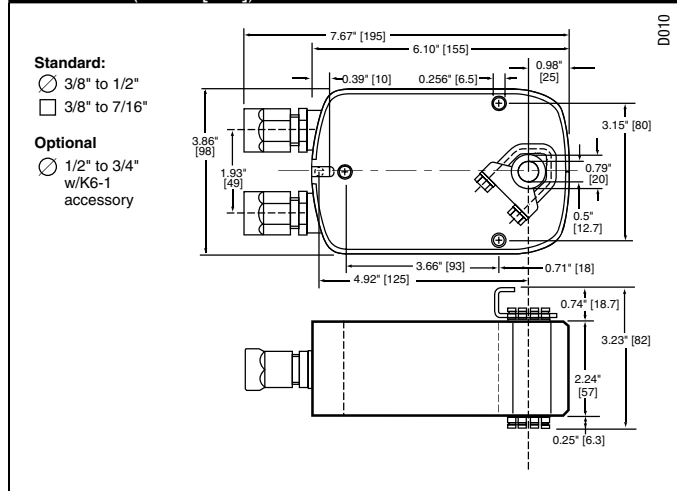
The LF series provides 95° of rotation and is provided with a graduated position indicator showing 0 to 95°.

The LF24-3 (-S) US uses a brushless DC motor which is controlled by an Application Specific Integrated Circuit (ASIC) and a microprocessor. The microprocessor provides the intelligence to the ASIC to provide a constant rotation rate. The ASIC monitors and controls the brushless DC motor's rotation and provides a digital rotation sensing function to prevent damage to the actuator in a stall condition. The actuator may be stalled anywhere in its normal rotation without the need of mechanical end switches.

Power consumption is reduced in holding mode.

The LF24-3-S US version is provided with one built-in auxiliary switch. This SPDT switch is provided for safety interfacing or signaling, for example, for fan start-up. The switching function is adjustable between 0° and 95°. The auxiliary switch in the LF24-3-S US is double insulated so an electrical ground is not necessary.

## Dimensions (Inches [mm])



M40024 - 05/10 - Subject to change. © Belimo Aircontrols (USA), Inc.

### Accessories

AV 10-18	Shaft extension (K6-1 is required)
IND-LF	Damper position indicator
K6-1	Universal clamp for up to 3/4" diameter shafts
KH-LF	Crank arm for up to 1/2" round shaft
Tool-06	8mm and 10 mm wrench
ZG-LF2	Crank arm adaptor kit for LF
ZG-112	Mounting bracket for Honeywell Mod IV, M6415 type actuators, and new installations
ZG-LF112	Crank arm adaptor kit for Honeywell Mod IV, M6415 type actuators, and new installations
ZS-100	Weather shield (metal)
ZS-150	Weather shield (polycarbonate)
ZS-260	Explosion-proof housing

**NOTE:** When using LF24-3 (-S) US actuators, only use accessories listed on this page. For actuator wiring information and diagrams, refer to Belimo Wiring Guide.

### Typical Specification

Floating point, On/Off spring return damper actuators shall be direct coupled type which require no crank arm and linkage and be capable of direct mounting to a shaft up to a 3/4" diameter and center a 1/2" shaft. The actuators must be designed so that they may be used for either clockwise or counterclockwise fail-safe operation. Actuators shall have an external direction of rotation switch to reverse control logic. Actuators shall use a brushless DC motor and be protected from overload at all angles of rotation. If required, one SPDT auxiliary switch shall be provided having the capability of being adjustable. Actuators with auxiliary switch must be constructed to meet the requirements for Double Insulation so an electrical ground is not required to meet agency listings. Run time shall be constant and independent of torque. Actuators shall be cULus listed, have a 5 year warranty, and be manufactured under ISO 9001 International Quality Control Standards. Actuators shall be as manufactured by Belimo.

### Wiring Diagrams

#### INSTALLATION NOTES

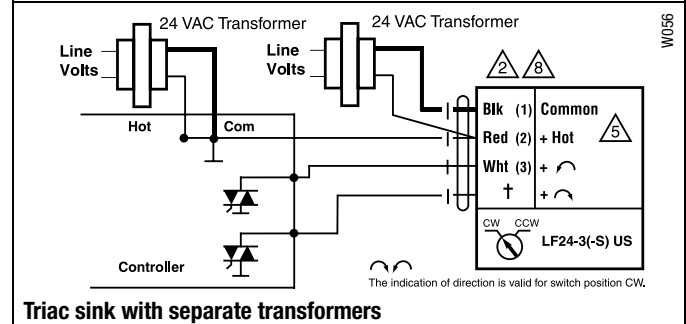
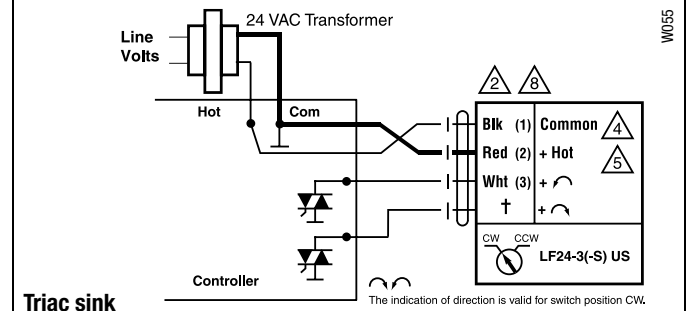
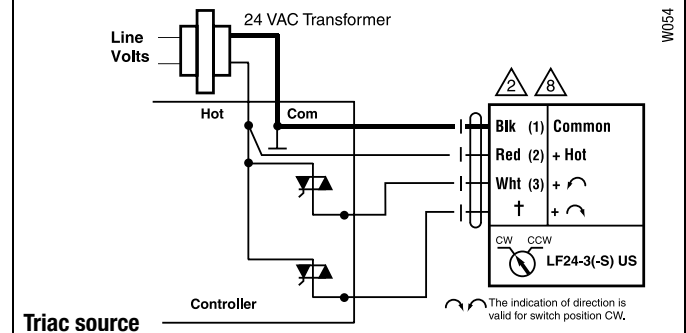
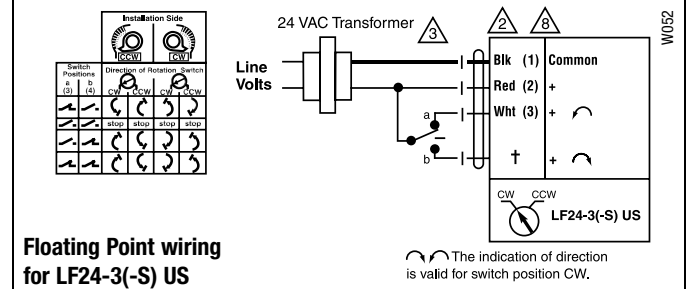
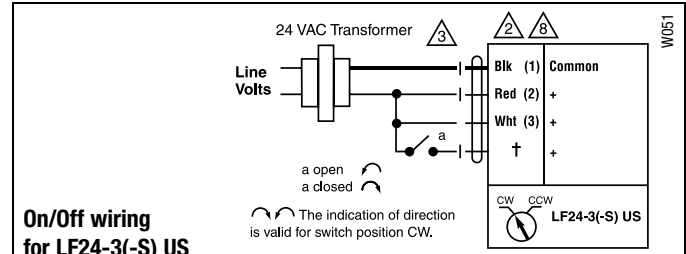
- 1 Provide overload protection and disconnect as required.
- 2 **CAUTION Equipment Damage!**  
Actuators may be connected in parallel. Power consumption and input impedance must be observed.
- 3 Actuators may also be powered by 24 VDC.
- 4 The Common connection from the actuator must be connected to the Hot connection of the controller.
- 5 The actuator Hot must be connected to the control board Common.
- 6 For end position indication, interlock control, fan startup, etc., LF24-3-S US LF120-S US and LF230-S US incorporate one built-in auxiliary switch: 1 x SPDT, 3A (0.5A) @250 VAC, UL Approved, adjustable 0° to 95°.
- 8 Actuators with plenum rated cable do not have numbers on wires; use color coded instead. Actuators with appliance rated cable use numbers.  
† LF24-3 US, Green wire #4, LF24-3-S US, White wire #5

#### APPLICATION NOTES

- ◆ Meets cULus requirements without the need of an electrical ground connection.

#### WARNING Live Electrical Components!

During installation, testing, servicing and troubleshooting of this product, it may be necessary to work with live electrical components. Have a qualified licensed electrician or other individual who has been properly trained in handling live electrical components perform these tasks. Failure to follow all electrical safety precautions when exposed to live electrical components could result in death or serious injury.





# LFC24-3-R(-S) US

On/Off, Floating Point, Spring Return, 24V, Trane Voyager Retrofit



Technical Data		LFC24-3-R(-S) US
Power supply		24 VAC ± 20% 50/60 Hz 24 VDC ± 10%
Power consumption	running	2.5 W
	holding	1 W
Transformer sizing		5 VA (class 2 power source)
Electrical connection	LFC24-3-R US	3 ft, plenum rated cable 4 male spade connectors
	LFC24-3-S US	3 ft, 18 GA appliance cables (2) 1/2" conduit connectors
Overload protection		electronic throughout 0 to 95° rotation
Input impedance		1000 Ω (0.6w) control inputs
Angle of rotation		max. 95°, adjust. with mechanical stop
Torque		35 in-lb [4 Nm]
Direction of rotation	spring	reversible with cw/ccw mounting
	motor	reversible with built-in switch
Position indication		visual indicator, 0° to 95° (0° is spring return position)
Running time	motor	90 sec constant, independent of load
	spring	< 25 sec @ -4°F to 122°F [-20°C to 50°C] < 60 sec @ -22°F [-30°C]
Humidity		5 to 95% RH non-condensing
Ambient temperature		-22°F to 122°F [-30°C to 50°C]
Storage temperature		-40°F to 176°F [-40°C to 80°C]
Housing		NEMA type 2 /IP54
Housing material		zinc coated metal
Agency listings		cULus acc. to UL 873 and CAN/CSA C22.2 No. 24-93
Noise level (max)	running	< 30 db (A)
	spring return	62 db (A)
Servicing		maintenance free
Quality standard		ISO 9001
Weight	LFC24-3-R US	3.1 lbs (1.40 kg)
	LFC24-3-S US	3.6 lbs (1.45 kg)

LFC24-3-S US	
Auxiliary switch	1 x SPDT 3A (0.5A) @ 250 VAC, UL Approved adjustable 0° to 95° (double insulated)

Torque min. 35 in-lb, for control of air dampers

## Application

For modulation or On/Off control of dampers in HVAC systems. Actuator sizing should be done in accordance with the damper manufacturer's specifications.

The actuator is mounted directly to a damper shaft from 3/8" up to 1/2" in diameter by means of its universal clamp, 1/2" shaft centered at delivery. For shafts up to 3/4" use K6-1 accessory. The ZG-LFC114 universal mounting kit can be used with the LFC24-3-R US actuator for retrofit of the economizer section of the Trane Voyager unit.

Control is floating point from a triac or relay, or On/Off from an auxiliary contact from a fan motor contactor, controller, or manual switch.

## Operation

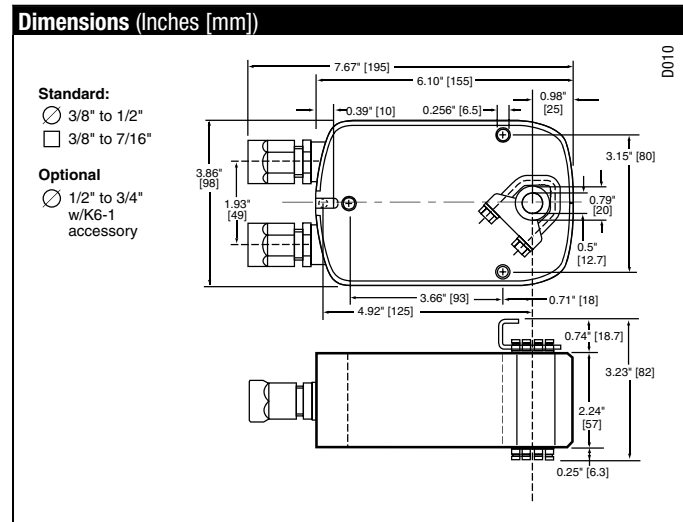
The LF series actuators provide true spring return operation for reliable fail-safe application and positive close-off on air tight dampers. The spring return system provides consistent torque to the damper with, and without, power applied to the actuator.

The LF series provides 95° of rotation and is provided with a graduated position indicator showing 0 to 95°.

The LFC24-3-R (-S) US uses a brushless DC motor which is controlled by an Application Specific Integrated Circuit (ASIC) and a microprocessor. The microprocessor provides the intelligence to the ASIC to provide a constant rotation rate. The ASIC monitors and controls the brushless DC motor's rotation and provides a digital rotation sensing function to prevent damage to the actuator in a stall condition. The actuator may be stalled anywhere in its normal rotation without the need of mechanical end switches.

Power consumption is reduced in holding mode.

The LFC24-3-S US version is provided with one built-in auxiliary switch. This SPDT switch is provided for safety interfacing or signaling, for example, for fan start-up. The switching function is adjustable between 0° and 95°. The auxiliary switch in the LFC24-3-S US is double insulated so an electrical ground is not necessary.



M40024 - 05/10 - Subject to change. © Belimo Aircontrols (USA), Inc.

### Accessories

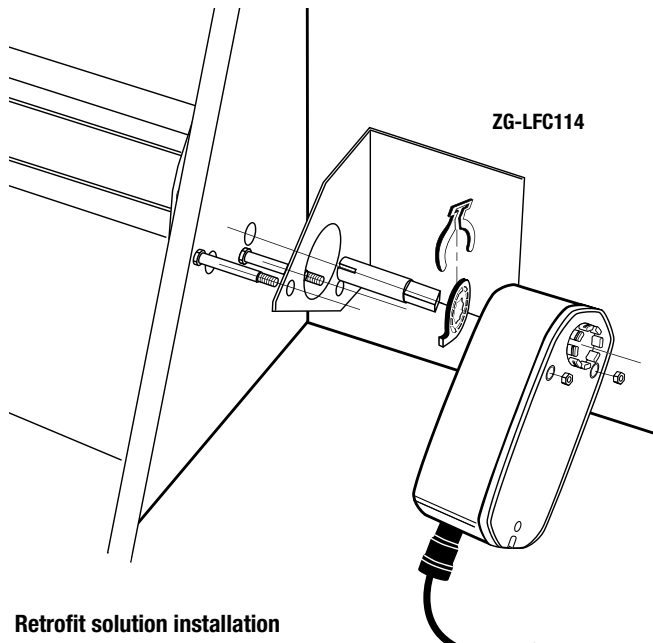
AV 10-18	Shaft extension (K6-1 is required)
IND-LF	Damper position indicator
K6-1	Universal clamp for up to 3/4" diameter shafts
KH-LF	Crank arm for up to 1/2" round shaft
Tool-06	8mm and 10 mm wrench
ZG-LF2	Crank arm adaptor kit for LF
ZG-112	Mounting bracket for Honeywell Mod IV, M6415 type actuators, and new installations
ZG-LF112	Crank arm adaptor kit for Honeywell Mod IV, M6415 type actuators, and new installations
<b>ZG-LFC114</b>	<b>Used with LFC24-3-R US, mounting bracket kit for Trane Voyager economizer actuator retrofit. Kit includes mounting bracket and installation hardware.</b>
ZS-100	Weather shield (metal)
ZS-150	Weather shield (polycarbonate)
ZS-260	Explosion-proof housing

**NOTE:** When using LFC24-3-R (-S) US actuators, only use accessories listed on this page.

**NOTE:** For On/Off control wiring please see LF24-3 US wiring diagram. "On/Off control of LF24-3(-S) US" page 71.

**NOTE:** For Floating point control wiring, Triac source, sink or wiring with separate power supplies please see page 71 for correct wiring.

For actuator wiring information and diagrams, refer to Belimo Wiring Guide.



Retrofit solution installation

### Typical Specification

Floating point, On/Off spring return damper actuators shall be direct coupled type which require no crank arm and linkage and be capable of direct mounting to a shaft up to a 3/4" diameter and center a 1/2" shaft. The actuators must be designed so that they may be used for either clockwise or counterclockwise fail-safe operation. Actuators shall have an external direction of rotation switch to reverse control logic. Actuators shall use a brushless DC motor and be protected from overload at all angles of rotation. If required, one SPDT auxiliary switch shall be provided having the capability of being adjustable. Actuators with auxiliary switch must be constructed to meet the requirements for Double Insulation so an electrical ground is not required to meet agency listings. Run time shall be constant and independent of torque. Actuators shall be cULus listed, have a 5 year warranty, and be manufactured under ISO 9001 International Quality Control Standards. Actuators shall be as manufactured by Belimo.

### Wiring Diagrams

#### INSTALLATION NOTES

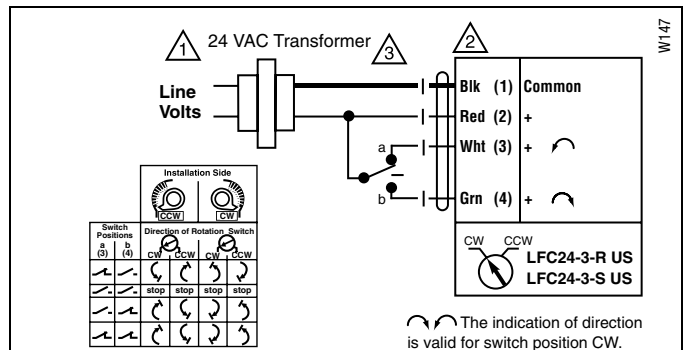
- 1 Provide overload protection and disconnect as required.
- 2 **CAUTION Equipment Damage!**  
Actuators may be connected in parallel. Power consumption and input impedance must be observed.
- 3 No ground connection is required.
- 6 For end position indication, interlock control, fan startup, etc., LFC24-3-S US incorporates one built-in auxiliary switch: 1 x SPDT, 3A (0.5A) @250 VAC, UL Approved, adjustable 0° to 95°. LFC24-3-S US has a white wire #5 instead of a green wire #4.
- 8 Actuators with plenum rated cable do not have numbers on wires; use color coded instead. Actuators with appliance rated cable use numbers.

#### APPLICATION NOTES

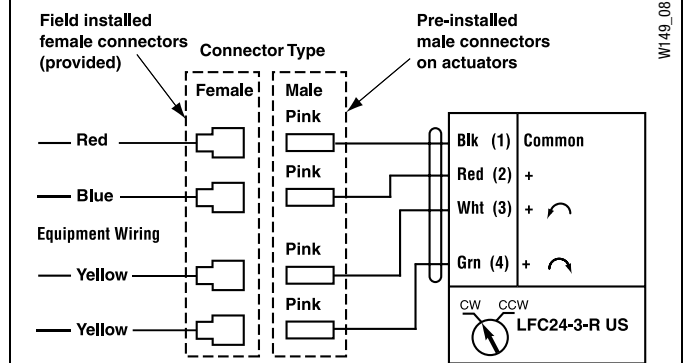
Meets cULus requirements without the need of an electrical ground connection.

#### WARNING Live Electrical Components!

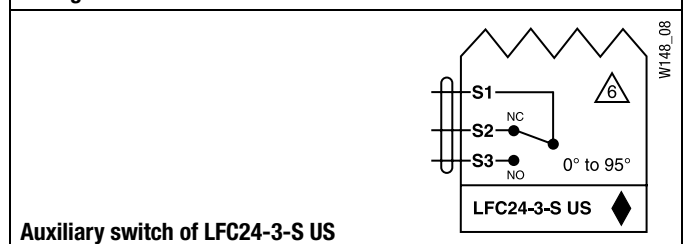
During installation, testing, servicing and troubleshooting of this product, it may be necessary to work with live electrical components. Have a qualified licensed electrician or other individual who has been properly trained in handling live electrical components perform these tasks. Failure to follow all electrical safety precautions when exposed to live electrical components could result in death or serious injury.



#### Floating point control of LFC24-3... US



#### Wiring LFC24-3-R US



Auxiliary switch of LFC24-3-S US

# LF24-SR(-S) US

Proportional, Spring Return, 24 V for 2 to 10 VDC or 4 to 20 mA Control Signal



Technical Data		LF24-SR(-S) US
Power supply		24 VAC $\pm$ 20% 50/60 Hz 24 VDC $\pm$ 10%
Power consumption	running	2.5 W
	holding	1 W
Transformer sizing		5 VA (class 2 power source)
Electrical connection		
	LF24-SR US	3 ft, plenum rated cable 1/2" conduit connector
	LF24-SR-S US	3 ft, 18 GA appliance cables (2) 1/2" conduit connectors
Overload protection		electronic throughout 0 to 95° rotation
Input impedance		100 k $\Omega$ (0.1 mA), 500 $\Omega$
Angle of rotation		max. 95°, adjust. with mechanical stop
Torque		35 in-lb [4 Nm]
Direction of rotation		
	spring	reversible with cw/ccw mounting
	motor	reversible with built-in switch
Position indication		visual indicator, 0° to 95° (0° is spring return position)
Running time (nominal)	motor	150 sec constant, independent of load
	spring	< 25 sec @ -4°F to 122°F [-20°C to 50°C] < 60 sec @ -22°F [-30°C]
Humidity		5 to 95% RH non-condensing
Ambient temperature		-22°F to 122°F [-30°C to 50°C]
Storage temperature		-40°F to 176°F [-40°C to 80°C]
Housing		NEMA type 2 /IP54
Housing material		zinc coated metal
Agency listings		cULus acc. to UL 873 and CAN/CSA C22.2 No. 24-93
Noise level (max)	running	< 30 db (A)
	spring return	62 db (A)
Servicing		maintenance free
Quality standard		ISO 9001
Weight	LF24-SR US	3.1 lbs (1.40 kg)
	LF24-SR-S US	3.2 lbs (1.45 kg)
<b>LF24-SR-S US</b>		
Auxiliary switch		1 x SPDT 3A (0.5A) @ 250 VAC, UL Approved adjustable 0° to 95° (double insulated)

**Torque min. 35 in-lb, for control of air dampers**

## Application

For proportional modulation of dampers in HVAC systems. Actuator sizing should be done in accordance with the damper manufacturer's specifications.

The actuator is mounted directly to a damper shaft from 3/8" up to 1/2" in diameter by means of its universal clamp, 1/2" shaft centered at delivery. For shafts up to 3/4" use K6-1 accessory. A crank arm and several mounting brackets are available for applications where the actuator cannot be direct coupled to the damper shaft.

The actuator operates in response to a 2 to 10 VDC, or with the addition of a 500W resistor, a 4 to 20 mA control input from an electronic controller or positioner. A 2 to 10 VDC feedback signal is provided for position indication or master-slave applications.

## Operation

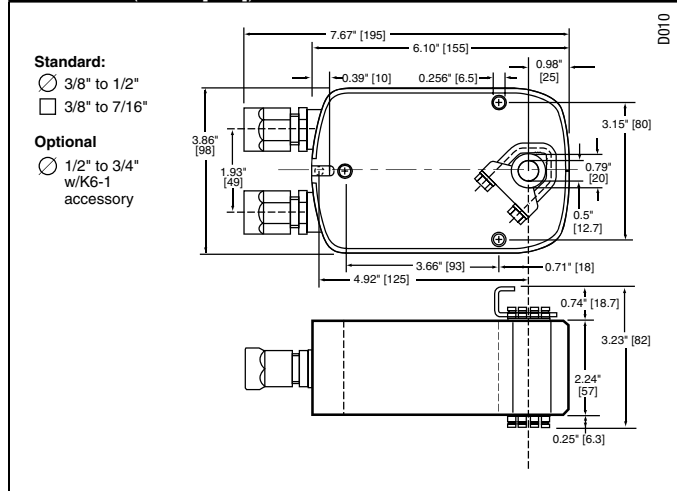
The LF series actuators provide true spring return operation for reliable fail-safe application and positive close-off on air tight dampers. The spring return system provides consistent torque to the damper with, and without, power applied to the actuator.

The LF series provides 95° of rotation and is provided with a graduated position indicator showing 0 to 95°.

The LF24-SR (-S) US uses a brushless DC motor which is controlled by an Application Specific Integrated Circuit (ASIC) and a microprocessor. The microprocessor provides the intelligence to the ASIC to provide a constant rotation rate and to know the actuator's exact fail-safe position. The ASIC monitors and controls the brushless DC motor's rotation and provides a digital rotation sensing function to prevent damage to the actuator in a stall condition. The actuator may be stalled anywhere in its normal rotation without the need of mechanical end switches. Power consumption is reduced in holding mode.

The LF24-SR-S US version is provided with one built-in auxiliary switch. This SPDT switch is provided for safety interfacing or signaling, for example, for fan start-up. The switching function is adjustable between 0° and 95°. The auxiliary switch in the LF24-SR-S US is double insulated so an electrical ground is not necessary.

## Dimensions (Inches [mm])



M40024 - 05/10 - Subject to change. © Belimo Aircontrols (USA), Inc.

#### Accessories

AV 10-18	Shaft extension (K6-1 is required)
IND-LF	Damper position indicator
K6-1	Universal clamp for up to 3/4" diameter shafts
KH-LF	Crank arm for up to 1/2" round shaft
SGA24	Min. and/or man. positioner in NEMA 4 housing
SGF24	Min. and/or man. positioner for flush panel mounting
Tool-06	8mm and 10 mm wrench
ZG-LF2	Crank arm adaptor kit for LF
ZG-112	Mounting bracket for Honeywell Mod IV, M6415 type actuators, and new installations
ZG-LF112	Crank arm adaptor kit for Honeywell Mod IV, M6415 type actuators, and new installations
ZG-R01	500 Ω resistor for 4 to 20 mA control signal
ZS-100	Weather shield (metal)
ZS-150	Weather shield (polycarbonate)
ZS-260	Explosion-proof housing

NOTE: When using LF24-SR(-S) US actuators, only use accessories listed on this page. For actuator wiring information and diagrams, refer to Belimo Wiring Guide.

#### Typical Specification

Spring return control damper actuators shall be direct coupled type which require no crank arm and linkage and be capable of direct mounting to a shaft up to a 3/4" diameter and center a 1/2" shaft. The actuator must provide proportional damper control in response to a 2 to 10 VDC or, with the addition of a 500 Ω resistor, a 4 to 20 mA control input from an electronic controller or positioner. The actuators must be designed so that they may be used for either clockwise or counterclockwise fail-safe operation. Actuators shall use a brushless DC motor controlled by a microprocessor and be protected from overload at all angles of rotation. Run time shall be constant, and independent of torque. A 2 to 10 VDC feedback signal shall be provided for position feedback or master-slave applications. If required, one SPDT auxiliary switch shall be provided having the capability of being adjustable. Actuators with auxiliary switch must be constructed to meet the requirements for Double Insulation so an electrical ground is not required to meet agency listings. Actuators shall be cULus listed, have a 5 year warranty, and be manufactured under ISO 9001 International Quality Control Standards. Actuators shall be as manufactured by Belimo.

#### Wiring Diagrams

##### INSTALLATION NOTES

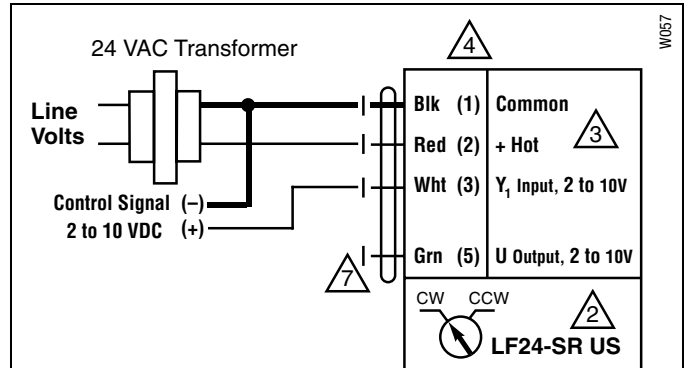
- 1 Provide overload protection and disconnect as required.
- 2 **CAUTION Equipment Damage!** Actuators may be connected in parallel. Power consumption and input impedance must be observed. Up to 4 actuators may be connected in parallel. With 4 actuators wired to one 500 Ω resistor. Power consumption must be observed.
- 3 Actuator may also be powered by 24 VDC.
- 4 Actuators with plenum rated cable do not have numbers on wires; use color codes instead.
- 5 Only connect common to neg. (-) leg of control circuits
- 6 For end position indication, interlock control, fan startup, etc., LF24-SR-S US incorporates one built-in auxiliary switch: 1 x SPDT, 3A (0.5A) @250 VAC, UL Approved, adjustable 0° to 95°.
- 7 The LF24-SR-S US wire 5 is white.

##### APPLICATION NOTES

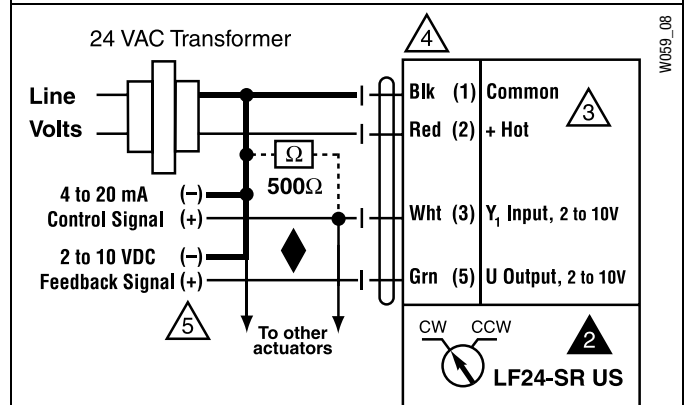
- ◆ Meets cULus requirements without the need of an electrical ground connection.
- ◆ The ZG-R01 500 Ω resistor converts the 4 to 20 mA control signal to 2 to 10 VDC.

#### WARNING Live Electrical Components!

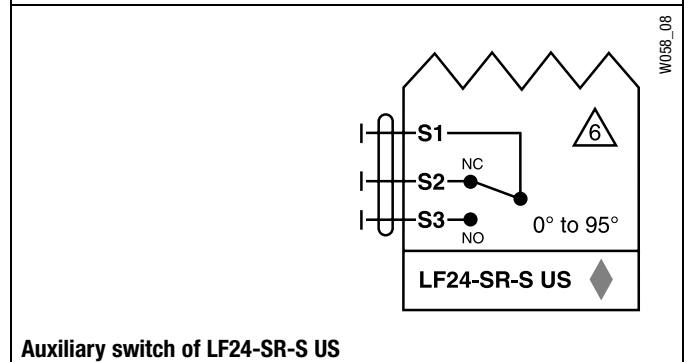
During installation, testing, servicing and troubleshooting of this product, it may be necessary to work with live electrical components. Have a qualified licensed electrician or other individual who has been properly trained in handling live electrical components perform these tasks. Failure to follow all electrical safety precautions when exposed to live electrical components could result in death or serious injury.



2 to 10 VDC control of LF24-SR(-S) US



4 to 20 mA control of LF24-SR(-S) US with 2 to 10 VDC feedback output



Auxiliary switch of LF24-SR-S US

# LF24-SR-E US

Proportional, Spring Return, 24 V, for 2 to 10 VDC, 4 to 20 mA Control Signal or 3-position On/Off Control with Minimum Position Potentiometer



- Torque min. 35 in-lb, for control of air dampers
- Built-in adjustable min-position for 3-position and proportional control

## Application

For proportional control with minimum position setpoint, or three position control of dampers in HVAC systems. Actuator sizing should be done in accordance with the damper manufacturer's specifications.

The actuator is mounted directly to a damper shaft from 3/8" up to 1/2" in diameter by means of its universal clamp, 1/2" shaft centered at delivery. For shafts up to 3/4" use K6-1 accessory. A crank arm and several mounting brackets are available for applications where the actuator cannot be direct coupled to the damper shaft.

The actuator operates in response to 24 VAC on wire 2 or 3, which allows the LF24-SR-E US to retrofit or replace Honeywell® M8405A actuators.

## Operation

The LF series actuators provide true spring return operation for reliable fail-safe application and positive close-off on air tight dampers. The spring return system provides constant torque to the damper with, and without, power applied to the actuator.

The LF series provides 95° of rotation and is provided with a graduated position indicator showing 0 to 95°.

The LF24-SR-E US uses a brushless DC motor which is controlled by an Application Specific Integrated Circuit (ASIC) and a microprocessor. The microprocessor provides the intelligence to the ASIC to provide a constant rotation rate and to know the actuator's exact position. The ASIC monitors and controls the brushless DC motor's rotation and provides a digital rotation sensing function to prevent damage to the actuator in a stall condition. The actuator may be stalled anywhere in its normal rotation without the need of mechanical end switches. Power consumption is reduced in holding mode.

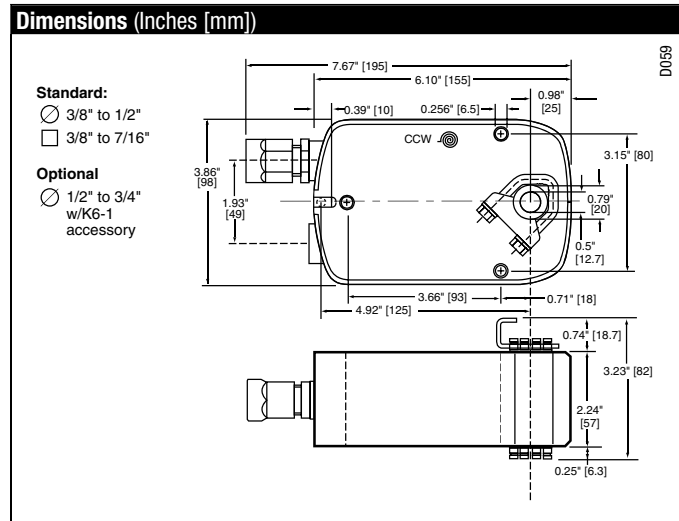
See wiring diagrams for LF24-SR-E US for more details on 3-position control.

## Installation

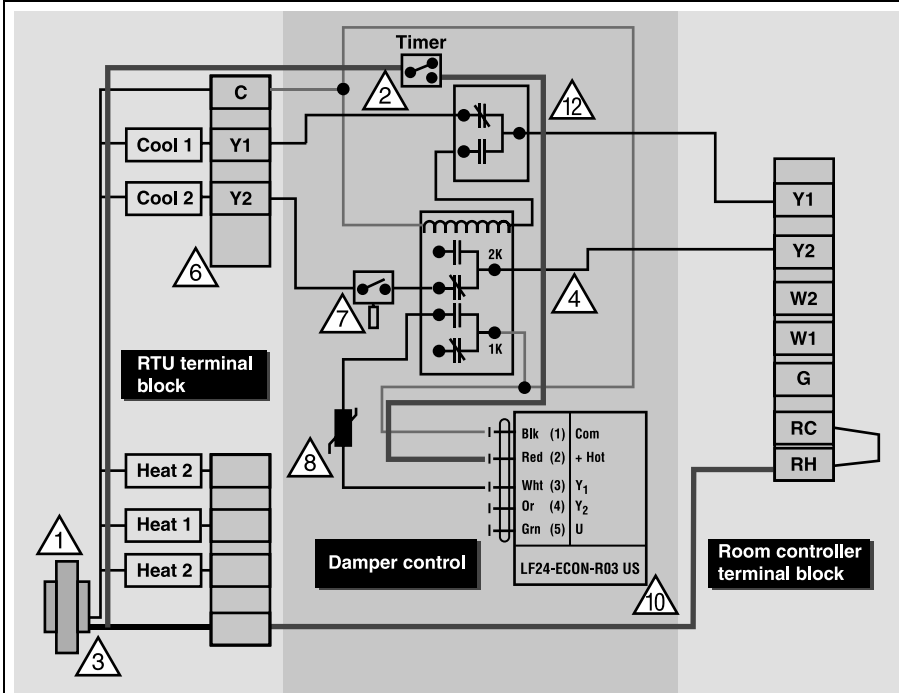
Refer to LF Section of the Standard Actuation and Accessories, Technical Documentation.

Honeywell® is a trademark of Honeywell Inc.

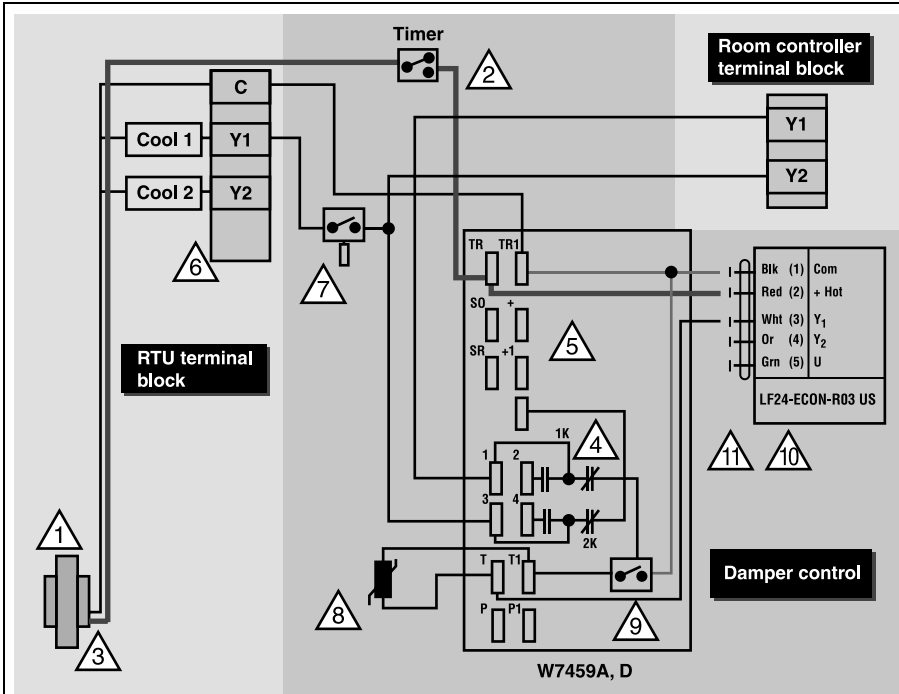
Technical Data		LF24-SR-E US
Power supply		24 VAC ± 20% 50/60 Hz 24 VDC ± 10%
Power consumption	running	2.5 W
	holding	1 W
Transformer sizing		5 VA (class 2 power source)
Electrical connection		3 ft, plenum rated cable 1/2" conduit connector
Overload protection		electronic throughout 0 to 95° rotation
Control signal		Y 0 to 10 VDC, 0 to 20 mA, or 24 VAC for 3-position on/off control
Input impedance		100 kΩ
Operating range Y		2 to 10 VDC, 4 to 20mA between 0% and 100%
Feedback output U		2 to 10 VDC (max. 0.7 mA) for 95°
Angle of rotation		max. 95°, adjust. with mechanical stop
Torque		35 in-lb [4 Nm]
Override function		Minimum, Open, Closed via spring Min-position adjusts on actuator cover between 0 and 100% (scaled 0 to 1)
Direction of rotation	spring	reversible with cw/ccw mounting
	motor	reversible with built-in switch
Position indication		visual indicator, 0° to 95° (0° is spring return position)
Running time (nominal)	motor	150 sec constant, independent of load
	spring	< 25 sec @ -4°F to 122°F [-20°C to 50°C] < 60 sec @ -22°F [-30°C]
Humidity		5 to 95% RH non-condensing
Ambient temperature		-22°F to 122°F [-30°C to 50°C]
Storage temperature		-40°F to 176°F [-40°C to 80°C]
Housing		NEMA type 2 /IP54
Housing material		zinc coated metal
Agency listings		cULus acc. to UL 873 and CAN/CSA C22.2 No. 24-93
Noise level (max)	running	< 30 db (A)
	spring return	62 db (A)
Servicing		maintenance free
Quality standard		ISO 9001
Weight		3.2 lbs (1.45 kg)



M40024 - 05/10 - Subject to change. © Belimo Aircontrols (USA), Inc.



**LF24-ECON-R03 US used with W7459A(D) / C7400 in two-stage cooling system with single enthalpy changeover**



**LF24-ECON-R03 US used with W7459A(D) / C7400 in one-stage cooling system with differential enthalpy changeover**

**Wiring Diagrams**

**INSTALLATION NOTES**

- 1 Power supply is 24VAC transformer. Provide overload protection and disconnect as required.
- 2 A fan delay relay should be interlocked with both fan and actuator power to ensure the actuator spring returns when the RTU fan de-energizes. A time clock for occupied or unoccupied mode is shown. The actuator spring returns in unoccupied mode.
- 3 Be sure the transformer is sized to accommodate the actuator, control module and other devices for economizer control.
- 4 Relays 1K and 2K actuate when the enthalpy sensed by the C7400 is higher than the enthalpy setpoint A-D..
- 5 Factory installed 620 OHM, 1 Watt 5% Resistor should be removed only if a C7400 enthalpy sensor is added to SR and + for differential enthalpy.
- 6 The heating, fan and power terminals of the RTU and room thermostat are not shown to simplify the wiring diagram. Typically there is a direct wiring connection between terminals W1, W2, G and R on both terminal strips. In addition the R terminal from the RTU connects to the RC or RH terminal on the thermostat. RH and RC are jumpered on the thermostat to ensure power gets to both the cooling and heating relays.
- 7 The ambient lockout controller sets a low limit of 50 degrees F. This set-up ensures the compressors for mechanical cooling remain off at lower temperatures.
- 8 Mixed/Discharge air temperature sensor is used to regulate discharge air temperature by changing damper position of the LF24-ECON-R03(-R10) US.
- 9 This switch contacts when 24V power is applied from the relays in note 4.
- 10 The LF24-ECON-R03(-R10) US provides a 2 to 10 VDC output indicating position.
- 11 A remote CO2 sensor or DDC controller with a 0 to 10 VDC output can change the standard relay or can be used to open and close the sensor circuit. This device can be a relay or a dry bulb/enthalpy limit switch.
- 12 When conditions are met the dry bulb or enthalpy limit switch changes over the economizer from mechanical cooling to 100% outside air free cooling. This switch completes the circuit between the thermistor and the Y1 input on the actuator.

**WARNING Live Electrical Components!**  
 During installation, testing, servicing and troubleshooting of this product, it may be necessary to work with live electrical components. Have a qualified licensed electrician or other individual who has been properly trained in handling live electrical components perform these tasks. Failure to follow all electrical safety precautions when exposed to live electrical components could result in death or serious injury.

M40024 - 05/10 - Subject to change. © Belimo Aircontrols (USA), Inc.

### Accessories

AV 10-18	Shaft extension (K6-1 is required)
IND-LF	Damper position indicator
K6-1	Universal clamp for up to 3/4" diameter shafts
KH-LF	Crank arm for up to 1/2" round shaft
Tool-06	8mm and 10 mm wrench
ZG-LF2	Crank arm adaptor kit for LF
ZG-112	Mounting bracket for replacing Honeywell Mod IV, M6415 and M8405 type actuators, and new installations
ZG-LF112	Crank arm adaptor kit for replacing Honeywell Mod IV, M6415 and M8405 type actuators, and new installations
ZG-113	Mounting bracket kit for Honeywell W7459 logic module
ZG-ECON1	Mounting bracket kit for Honeywell M8405 economizer actuator retrofit and new installations
ZS-100	Weather shield (metal)
ZS-150	Weather shield (polycarbonate)

**NOTE:** When using LF24-SR-E US actuators, only use accessories listed on this page.

### Typical Specification

Spring return control damper actuators shall be direct coupled type which require no crank arm and linkage and be capable of direct mounting to a shaft up to a 3/4" diameter and center a 1/2" shaft. Actuator shall deliver a minimum output torque of 35 in-lbs. The actuator must provide proportional damper control in response to a 2 to 10 VDC or, with the addition of a 500W resistor, a 4 to 20mA control input from an electronic controller. Actuator must have a built-in minimum position potentiometer. During 3-position control, the actuator shall drive to minimum position with 24 VAC on wire 2 and drive full open with 24 VAC on wire 3. Actuators shall use a brushless DC motor controlled by a microprocessor and be protected from overload at all angles of rotation. Run time shall be constant, and independent of torque. A 2 to 10 feedback signal shall be provided for position feedback or master-slave applications. The actuator must be designed so that they may be used for either clockwise or counterclockwise failsafe operation. Actuators shall be cULus listed, have a 5 year warranty, and be manufactured under ISO 9001 International Quality Control Standards. Actuators shall be as manufactured by Belimo.

### Three-Position Control Signals

Switch A	Wire 2-Red (x)	Wire 3-White (D)	Position
Open**	Any	Any	Closed (via spring)
Closed	24 VAC	Open	Mid-position*
Closed	Open	24 Vac	Full Open*
Closed	24 VAC	24 VAC	Full Open*

\*Desired position achieved by driving actuator with motor.

\*\*An example would be to interlock the actuator power supply with the fan motor starter.

### Wiring Diagrams

#### INSTALLATION NOTES

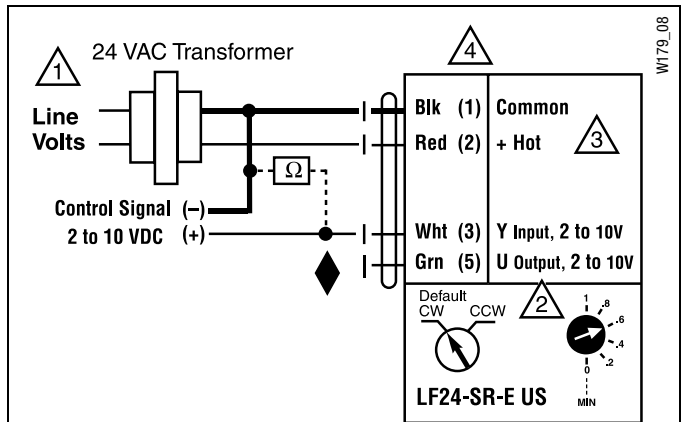
- 1 Provide overload protection and disconnect as required.
- 2 **CAUTION Equipment Damage!**  
Actuators may be connected in parallel. Power consumption and input impedance must be observed.  
Min-position is adjustable from 0 to 100% with a potentiometer on the actuator cover.
- 3 Actuator may also be powered by 24 VDC.
- 4 Actuators with plenum rated cable do not have numbers on wires; use color codes instead.
- 5 Switch A, actuator spring returns when open (e.g., fan interlock).

#### APPLICATION NOTES

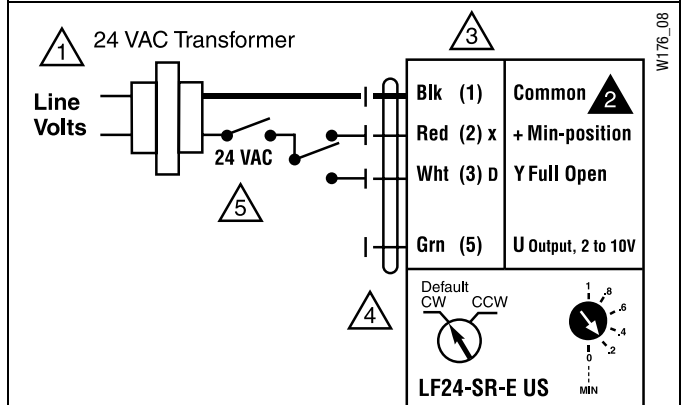
- ◆ The ZG-R01 500 Ω resistor converts the 4 to 20 mA control signal to 2 to 10 VDC.

#### WARNING Live Electrical Components!

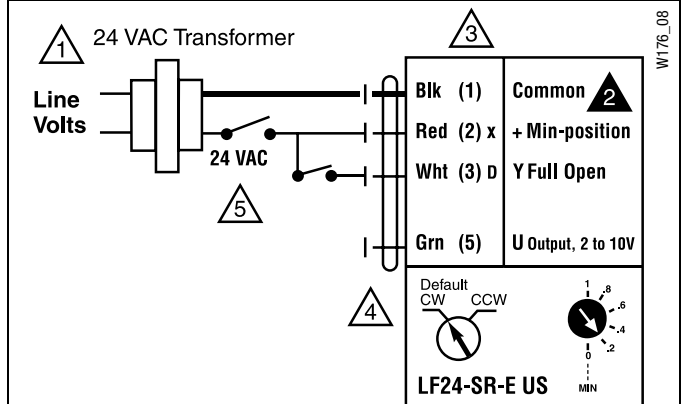
During installation, testing, servicing and troubleshooting of this product, it may be necessary to work with live electrical components. Have a qualified licensed electrician or other individual who has been properly trained in handling live electrical components perform these tasks. Failure to follow all electrical safety precautions when exposed to live electrical components could result in death or serious injury.



2 to 10 VDC control of LF24-SR-E US



3-position control with a SPDT switch or two contact closures (e.g. fan, cooling Y)



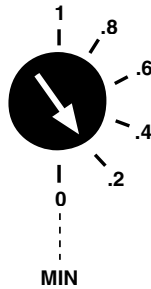
Min-position with Full Open override (with a single contact closure)

## Application of the LF24-SR-E US with Minimum Position Potentiometer

The LF24-SR-E US is the newest addition to the LF-series product range featuring dual functionality. A minimum position potentiometer has been built into the actuator for cost effective proportional and three position applications, e.g. economizer dampers in rooftop units.

### Proportional Control with Minimum Position

Minimum position is adjustable using the built-in potentiometer on the cover of the LF24-SR-E US. The minimum position can be adjusted anywhere over the full 0 to 95° range of the actuator. A 2 to 10 VDC input proportionally controls the actuator to the set-point position. The actuator electronics see both the 2 to 10 VDC input and the input signal from the potentiometer (minimum position setting). The actuator's electronics select between the higher of these two signals. Therefore, the actuator moves to the position of the higher signal, which is the same operating characteristic the Belimo -SR actuators exhibit with the Belimo SGA24 and SGF24 positioners.



### LF24-SR-E US Operates as Follows:

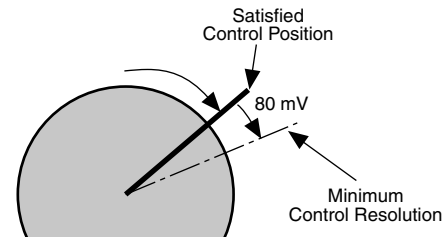
1. Set desired minimum position (Example 20%), while leaving the direction of rotation switch in the CW (default) position.
2. With power applied to wire 2 (red), the actuator will maintain the desired minimum position.
3. Applying a signal higher than that set by the minimum position potentiometer. In this example the input DC voltage must be greater than 3.6 VDC to move the actuator toward full open.
4. Changing the position of the direction of rotation switch to CCW will reverse the actuator's control logic. If only the position of the direction of rotation switch is changed, then the actuator will move from 20% to 80%. The scale is now reverse from the default (e.g. 10VDC moves the actuator to 0).
5. Typically, power to the actuator is interlocked with the fan relay, which causes the actuator to spring return closed if the fan de-energizes.

## Control Accuracy and Stability

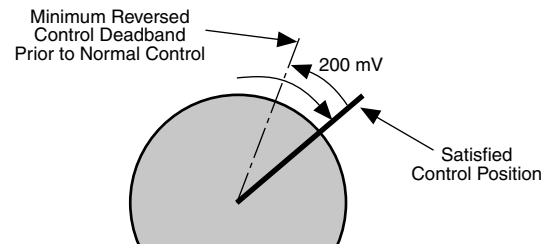
LF24-SR-E US actuators have built-in brushless DC motors which provide better accuracy and longer service life.

The LF24-SR-E US actuators are designed with a unique non-symmetrical deadband. The actuator follows an increasing or decreasing control signal with a 80 mV resolution. If the signal changes in the opposite direction, the actuator will not respond until the control signal changes by 250 mV. This allows these actuators to track even the slightest deviation very accurately, yet allowing the actuator to "wait" for a much larger change in control signal due to control signal instability.

**LF Actuator responds to a 80 mV signal when not changing direction from stop position.**



**LF Actuator responds to a 200 mV signal when reversing direction from stop position.**





# LF24-MFT(-S) US

Proportional, Spring Return, Multi-Function Technology®



Technical Data		LF24-MFT(-S) US
Power supply		24 VAC, ± 20%, 50/60 Hz 24 VDC, ±10%
Power consumption	running holding	2.5 W 1.0 W
Transformer sizing		5 VA (Class 2 power source)
Electrical connection (-S models have 2 cables)		3 ft, 18 GA, appliance cables 1/2" conduit connector
Overload protection		electronic throughout 0 to 95° rotation
Operating range Y*		2 to 10 VDC 4 to 20 mA (w/500 Ω, 1/4 Ω resistor) ZG-R01
Input impedance		100 kΩ for 2 to 10 VDC (0.1 mA) 500 Ω for 4 to 20 mA 1500 Ω for PWM, floating point and on/off control
Feedback output U*		2 to 10 VDC, 0.5 mA max
Torque		min 35 in-lb (4 Nm)
Direction of rotation*	spring motor	reversible with cw/ccw mounting reversible with built-in switch
Mech. angle of rotation*		max 95°, adjust with mechanical stop
Running time	motor* spring	150 sec constant <25 sec @-4°F to 122°F [-20°C to 50°C] <60 sec @-22°F [-30°C]
Angle of rotation adaptation*		off (default)
Override control*		Min. (Min Position) = 0% - ZS (Mid. Position) = 50% - Max. (Max. Position) = 100%
Position indication		visual indicator, 0° to 95°
Humidity		5 to 95% RH, non-condensing
Ambient temperature		-22 to 122° F (-30 to 50° C)
Storage temperature		-40 to 176° F (-40 to 80° C)
Housing		NEMA 2, IP54
Housing material		zinc coated metal
Noise level		less than 45 dB (A)
Agency listings		cULus acc. to UL 873 and CAN/CSA C22.2 No. 24-93
Quality standard		ISO 9001
Servicing		maintenance free
Weight		6.0 lbs. (2.7 kg)

\* Variable when configured with MFT options

LF24-MFT-S US	
Auxiliary switches	1 x SPDT 3A (0.5A) @ 250 VAC, UL approved adjustable 0° to 95° (double insulated)

- Torque min. 35 in-lb
- Control 2 to 10 VDC (DEFAULT)
- Feedback 2 to 10 VDC (DEFAULT)

## Application

For proportional modulation of dampers and control valves in HVAC systems. The LF24-MFT US provides mechanical spring return operation for reliable fail-safe application.

## Default/Configuration

Default parameters for 2 to 10 VDC applications of the LF24-MFT US actuator are assigned during manufacturing. If required, custom versions of the actuator can be ordered. The parameters noted in the Technical Data table are variable.

These parameters can be changed by three means:

- Pre-set configurations from Belimo
- Custom configurations from Belimo
- Configurations set by the customer using the MFT PC tool software application.

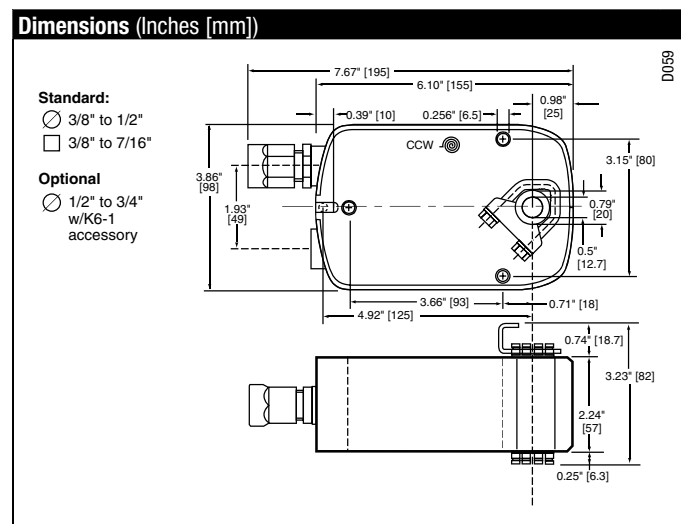
## Operation

The LF24-MFT US actuator provides 95° of rotation and is provided with a graduated position indicator showing 0° to 95°. The actuator will synchronize the 0° mechanical stop or the damper or valves mechanical stop and use this point for its zero position during normal control operations.

The actuator uses a brushless DC motor which is controlled by an Application Specific Integrated Circuit (ASIC) and a microprocessor. The microprocessor provides the intelligence to the ASIC to provide a constant rotation rate and to know the actuator's exact position. The ASIC monitors and controls the brushless DC motor's rotation and provides a Digital Rotation Sensing (DRS) function to prevent damage to the actuator in a stall condition. The position feedback signal is generated without the need for mechanical feedback potentiometers using DRS. The actuator may be stalled anywhere in its normal rotation without the need of mechanical end switches.

The LF24-MFT US is mounted directly to control shafts up to 3/4" diameter by means of its universal clamp and anti-rotation bracket. A crank arm and several mounting brackets are available for damper applications where the actuator cannot be direct coupled to the damper shaft. The spring return system provides minimum specified torque to the application during a power interruption. The LF24-MFT US actuator is shipped in the zero position, compression against seats or gaskets for tight shut-off is accomplished manually.

**NOTE:** Please see documentation on Multi-Function Technology.



M40024 - 05/10 - Subject to change. © Belimo Aircontrols (USA), Inc.

## Three-Position Control Using the LF24-SR-E US

By applying the LF24-SR override functionality and the new minimum position potentiometer, it is possible to achieve simple three-position control with the LF24-SR-E US.

1. Set desired minimum position (Example 20%), while leaving the direction of rotation switch in the CW (default) position. The direction of rotation switch does not need to be changed for three-position control, because direction of rotation can be changed by flipping the actuator.
2. With 24 VAC power applied across wire 1 (black) and 2 (red), the actuator will maintain minimum position.
3. Applying 24 VAC power across wire 1 (black) and 3 (white) overrides the minimum position and moves the actuator to Full Open.
4. With no power applied to actuator, it will spring return (fail-safe) closed.
5. Typically, power to the actuator is interlocked with the fan relay, which causes the actuator to spring return closed if the fan de-energizes.

## Features of the Belimo Three-Position Solution

### The LF24-SR-E US will:

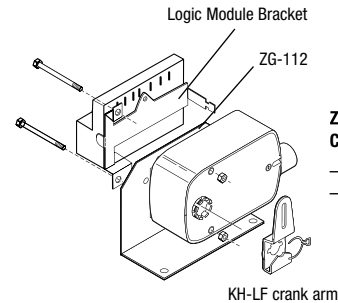
- Direct couple to the damper shaft between 3/8" and 3/4" diameter for reduced installation cost.
- Spring return in either CW or CCW direction depending on mounting orientation of the actuator. This feature eliminates the need to select a specific model with correct spring return direction.
- Spring returns in <25 seconds @ -4° to 122°F.
- Increase minimum torque output to 35 in-lbs for 40% more torque than other 3-position actuator solutions.
- Drive to the adjustable minimum position from either the fully Open or Closed position using its brushless DC motor for improved reliability. Spring returns only during power loss.
- Drive full stroke in 150 seconds.
- Output a 2 to 10 VDC signal for position feedback
- Control a damper proportionally between minimum position and full open (2 to 10 VDC input) for additional applications.
- Have dual (3-position and proportional control) wiring diagrams on actuator label for clear and easy wiring in the field.
- Consumes only 2.5 W driving to setpoint and 1 W to hold position, lower than actuators using AC motor technology.

## Replacing an M8405 Actuator

The three-position control functionality of the LF24-SR-E US allows direct replacement of a Honeywell M8405A foot mounted economizer actuator.

## Mounting

For non-direct coupled applications use the ZG-ECON1 accessory kit, which includes the KH-LF crank arm, ZG-112 bracket and logic module bracket (20477-00001). The ZG-112 aligns the plane of the crank arm with that of the Honeywell M8405A and has at least two mounting holes that match the M8405A foot pattern. The logic module bracket allows for attachment to the end of the LF24-SR-E US actuator. It provides for installation flexibility to place the module where space is available.



### ZG-LF112 Crank arm adaptor kit

- Includes bracket and KH-LF crank arm.
- Bracket and crank arm for replacement of Honeywell M8405 actuators.

## Wiring

For proper control logic wiring always refer to the controller manufactures documentation. See the Product Documentation Standard Actuation and Accessories for proper three position wiring diagram Belimo wiring diagram, page 63.

# LF24-ECON-R03(-R10) US

Proportional, Spring Return, 24 V, for Stand-Alone Economizer Damper Control Using 3 kΩ or 10 kΩ Mixed Air Sensor, Built-in Minimum Position Adjustment



Technical Data		LF24-ECON-R03(-R10) US
Power supply		24 VAC ± 20% 50/60 Hz 24 VDC ± 10%
Power consumption	running	2.5 W
	holding	1 W
Transformer sizing		5 VA (class 2 power source)
Electrical connection		3 ft, plenum rated cable 1/2" conduit connector
Overload protection		electronic throughout 0 to 95° rotation
Control signal, Y1 (LF24-ECON-R03 US)		3 kΩ NTC Type 10 thermistor, 3 kΩ @ 77°F (25°C) MA setpoint = 55°F
Input impedance		100 kΩ
Feedback output U		2 to 10 VDC (max. 0.7 mA) for 95°
Angle of rotation		max. 95°, adjust. with mechanical stop
Torque		35 in-lb [4 Nm]
Override function		See override control table on opposite page
Direction of rotation	spring	reversible with cw/ccw mounting
	motor	reversible with built-in switch
Position indication		Visual indicator, 0° to 95° scaled as 0 to 1 (0° is spring return position)
Running time	motor	95 sec constant, independent of load
	spring	< 25 sec @ -4°F to 122°F [-20°C to 50°C] < 60 sec @ -22°F [-30°C]
Humidity		5 to 95% RH non-condensing
Ambient temperature		-22°F to 122°F [-30°C to 50°C]
Storage temperature		-40°F to 176°F [-40°C to 80°C]
Housing		NEMA type 2 /IP54
Housing material		zinc coated metal
Agency listings		cULus acc. to UL 873 and CAN/CSA C22.2 No. 24-93
Noise level (max)	running	< 30 db (A)
	spring return	62 db (A)
Servicing		maintenance free
Quality standard		ISO 9001
Weight		3.2 lbs (1.45 kg)

LF24-ECON-R10 US	
Control Signal, Y1	10 kΩ NTC Type 7 thermistor, 10 kΩ @ 77°F (25°C) MA setpoint = 55°F

- Torque min. 35 in-lb, for control of air dampers
- Built-in adjustable min-position
- Integrated mixed air PI-control

## Application

For proportional control of mixed air setpoint on economizer dampers in HVAC systems. Actuator sizing should be done in accordance with the damper manufacturer's specifications.

The actuator is mounted directly to a damper shaft from 3/8" up to 1/2" in diameter by means of its universal clamp, 1/2" shaft centered at delivery. For shafts up to 3/4" use K6-1 accessory. A crank arm and several mounting brackets are available for applications where the actuator cannot be direct coupled to the damper shaft.

The actuator operates in response to 3 kΩ or 10 kΩ thermistor, which allows the LF24-ECON... to retrofit or replace Honeywell® M7415 actuators.

## Operation

The LF series actuators provide true spring return operation for reliable fail-safe application and positive close-off on air tight dampers. The spring return system provides constant torque to the damper with, and without, power applied to the actuator.

The LF series provides 95° of rotation and is provided with a graduated position indicator showing 0 to 90°.

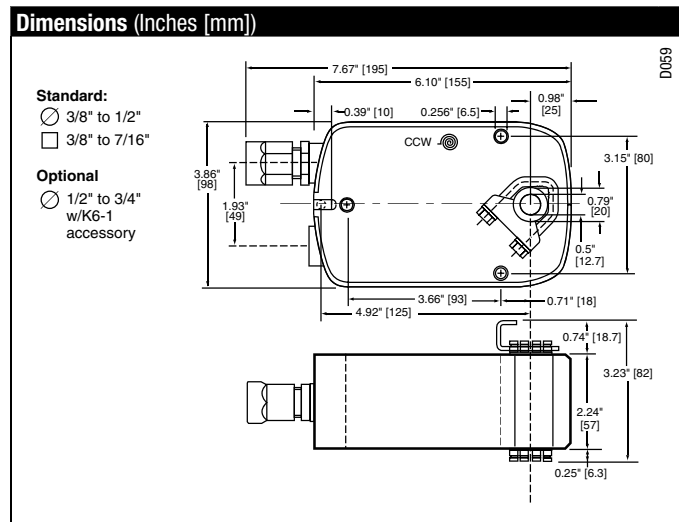
The LF24-ECON-R03 (-R10) US uses a brushless DC motor which is controlled by an Application Specific Integrated Circuit (ASIC) and a microprocessor. The microprocessor provides the intelligence to the ASIC to provide a constant rotation rate and to know the actuator's exact position. The ASIC monitors and controls the brushless DC motor's rotation and provides a digital rotation sensing function to prevent damage to the actuator in a stall condition. The actuator may be stalled anywhere in its normal rotation without the need of mechanical end switches. Power consumption is reduced in holding mode.

See wiring diagrams for LF24-ECON-R03 US for more details on 3-position control.

## Installation

Refer to LF Section of the Standard Actuation and Accessories, Product Documentation.

Honeywell® is a trademark of Honeywell Inc.



M40024 - 05/10 - Subject to change. © Belimo Aircontrols (USA), Inc.

### Wiring Diagrams

#### INSTALLATION NOTES

- 1 Provide overload protection and disconnect as required.
- 2 **CAUTION Equipment Damage!**  
Actuators may be connected in parallel if not mechanically mounted to the same shaft. Power consumption and input impedance must be observed.
- 3 Actuators may also be powered by 24 VDC.
- 4 The Common connection from the actuator must be connected to the Hot connection of the controller.
- 5 For end position indication, interlock control, fan startup, etc., LF24-MFT-S US incorporates one built-in auxiliary switch: 1 x SPDT, 3A (0.5A) @250 VAC, UL Approved, adjustable 0° to 95°.

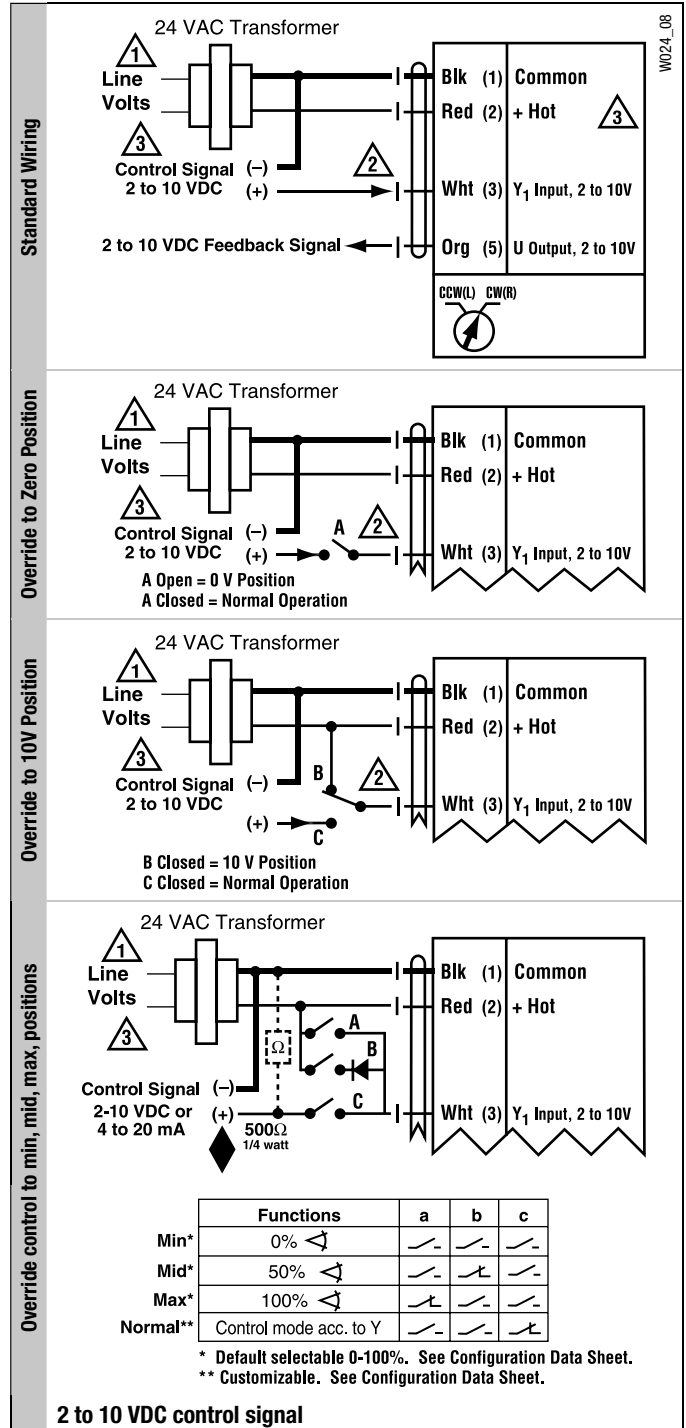
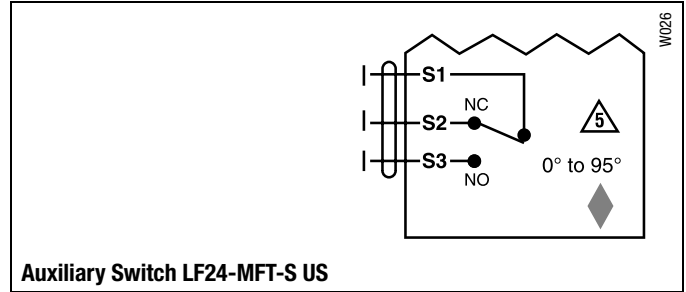
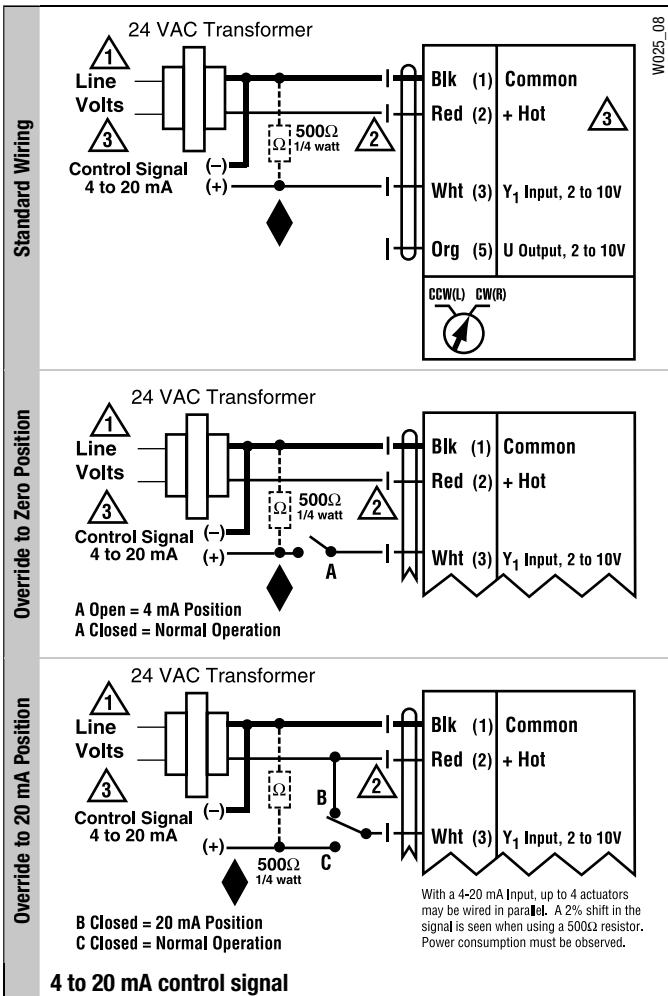
#### APPLICATION NOTES

- ◆ Meets cULus requirements without the need of an electrical ground connection.
- ◆ The ZG-R01 500 Ω resistor may be used.

#### WARNING Live Electrical Components!

During installation, testing, servicing and troubleshooting of this product, it may be necessary to work with live electrical components. Have a qualified licensed electrician or other individual who has been properly trained in handling live electrical components perform these tasks. Failure to follow all electrical safety precautions when exposed to live electrical components could result in death or serious injury.

M40024 - 05/10 - Subject to change. © Belimo Aircontrols (USA), Inc.



**Accessories**

AV 10-18	Shaft extension (K6-1 is required)
IND-LF	Damper position indicator
K6-1	Universal clamp for up to 3/4" diameter shafts
KH-LF	Crank arm for up to 1/2" round shaft
Tool-06	8mm and 10 mm wrench
ZG-LF2	Crank arm adaptor kit for LF
ZG-112	Mounting bracket for replacing Honeywell Mod IV, M7415 type actuators, and new installations
ZG-LF112	Crank arm adaptor kit for replacing Honeywell Mod IV, M7415 type actuators, and new installations
20477-00001	Mounting bracket for Honeywell W7459 logic module
ZG-ECON1	Mounting bracket kit for Honeywell M7415 economizer actuator retrofit and new installations
ZS-100	Weather shield (metal)
ZS-150	Weather shield (polycarbonate)

**NOTE:** When using LF24-ECON-R03 (R10) US actuators, use accessories listed on this page.

**Typical Specification**

Spring return control damper actuators shall be direct coupled type which require no crank arm and linkage and be capable of direct mounting to a shaft up to a 3/4" diameter and center a 1/2" shaft. Actuator shall deliver a minimum output torque of 35 in.-lbs. The actuator must provide proportional damper control in response to a 3 kΩ or 10 kΩ NTC thermistor, 55°F setpoint. Actuator must have a built-in minimum position potentiometer. Actuator must have minimum position override via 0 to 10VDC on wire 4. Actuators shall use a brushless DC motor controlled by a microprocessor and be protected from overload at all angles of rotation. Run time shall be independent of torque load. A 2 to 10VDC feedback signal shall be provided for position feedback or master-slave applications. The actuator must be designed so that they may be used for either clock-wise or counterclockwise fail safe operation. Actuators shall be cULus listed, have a 5 year warranty, and be manufactured under ISO 9001 International Quality Control Standards. Actuators shall be as manufactured by Belimo

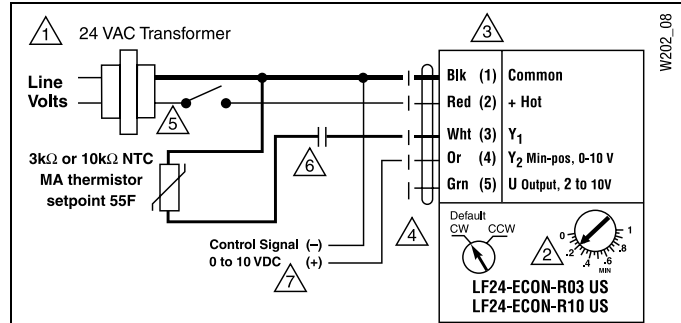
**Wiring Diagrams**

**INSTALLATION NOTES**

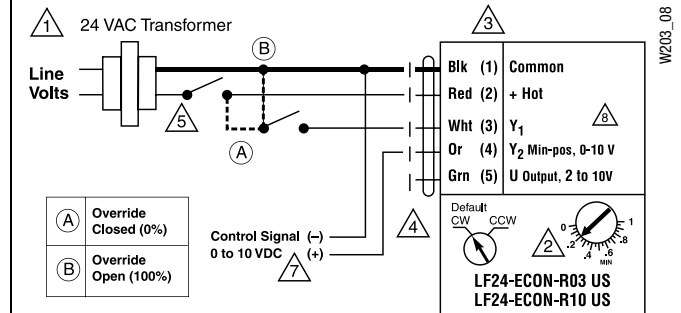
- 1 Provide overload protection and disconnect as required.
- 2 Min-position is adjustable from 0 to 100% with a potentiometer on the actuator cover.
- 3 Actuators with plenum rated cable do not have numbers on wires; use color codes instead.
- 4 CW (default) indicates that motor drive starts at zero position.
- 5 A relay or switch can spring return the actuator when the RTU fan de-energizes, or if low ambient temperature is sensed.
- 6 A standard relay can be used to close the sensor circuit to engage economizer mode, e.g. outside air changeover device like a dry bulb or enthalpy limit switch. Honeywell® logic module W7459A and enthalpy sensor C7400 also provide terminals for this switching.
- 7 A remote CO2 sensor or DDC controller with a 0 to 10 VDC output can change the standard relay or can be used to open and close the sensor circuit. This device can be a relay or a dry bulb/enthalpy limit switch.
- 8 Override control for Y2 only accepts 0 to 10 VDC override control.

**WARNING Live Electrical Components!**

During installation, testing, servicing and troubleshooting of this product, it may be necessary to work with live electrical components. Have a qualified licensed electrician or other individual who has been properly trained in handling live electrical components perform these tasks. Failure to follow all electrical safety precautions when exposed to live electrical components could result in death or serious injury.



**Standard Economizer Mode Wiring**



**Override**

**Override Control**

Wire	Input Signal	LF24-ECON... Position	Application
Y1	24 VAC	Drive closed (0%)	Morning warm-up cycle
Y1	Common	Drive open (100%)	Smoke Purge
Y1	Open wire	Drive to min position	Mechanical cooling in use, RTU thermostat calls for heat
Y2	0 VDC to 10 VDC	Min position of 0% to 100%	Override potentiometer via a remote CO2 sensor/controller or DDC controller

# LF24-ECON-R03(-R10) US

## Operation, Installation and Wiring



### Operation LF24-ECON-R03(-R10) US

The LF24-ECON-R03(-R10) US provides a direct coupling solution for Rooftop Unit(RTU) economizer dampers.

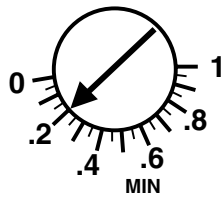
### Control of Mixed Air in Typical Economizer Dampers

#### Occupied - Economizer Mode

The LF24-ECON-R03 (-R10) US enters Economizer Mode when either an external relay or controller (e.g. Honeywell® W7459A) completes the circuit between the actuator wire 3(Y1) and MA sensor. In this mode, the actuator moves proportionally to maintain a MA set-point of 55°F(fixed). A proportional band of 6°F modulates the actuator between 53 and 58°F. Also, a +/-1°F dead band eliminates hunting of the actuator, while maintaining suitable temperatures in the RTU mixed air chamber.

#### Occupied – Mechanical CH (Cooling or Heating) Mode

The LF24-ECON-R03(-R10) US enters Mechanical CH Mode when either an external relay or controller (e.g. Honeywell® W7459A) breaks the circuit between the actuator wire 3(Y1) and MA sensor. In this mode, the actuator drives to minimum position. Minimum position can be set on built-in potentiometer, or set remotely by sending a 0 to 10 VDC signal to wire 4(Y2) via a SGA24 or DDC controller.

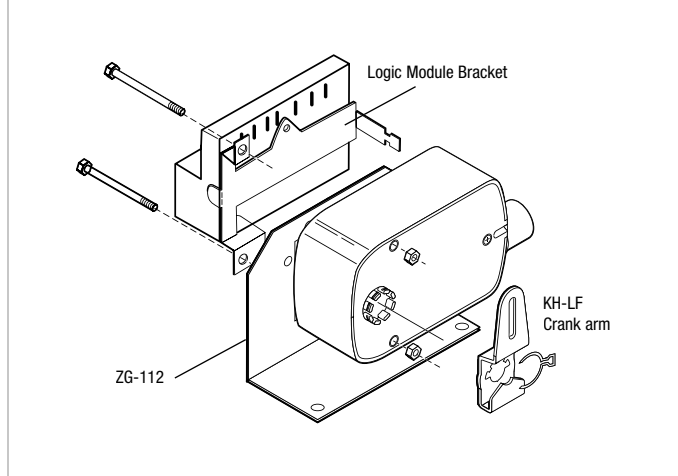


#### Unoccupied

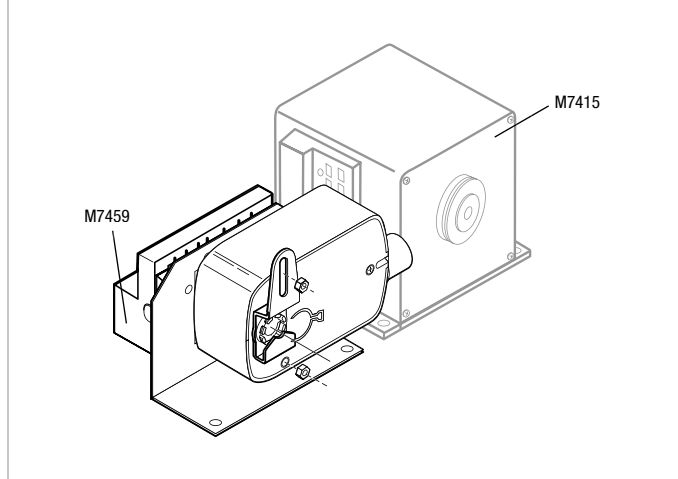
RTU Economizer damper actuators typically interlock actuator supply power with RTU fan motor starter/relay. This set-up ensures that the actuator spring returns the economizer damper closed during periods when the ventilation air is not required.

MA Dry Bulb Temperature	LF24-ECON... Position
< 53°F	Min. position
53°F < MAT < 58°F	Modulates between Min. Position and 100% open
> 58°F	100% open

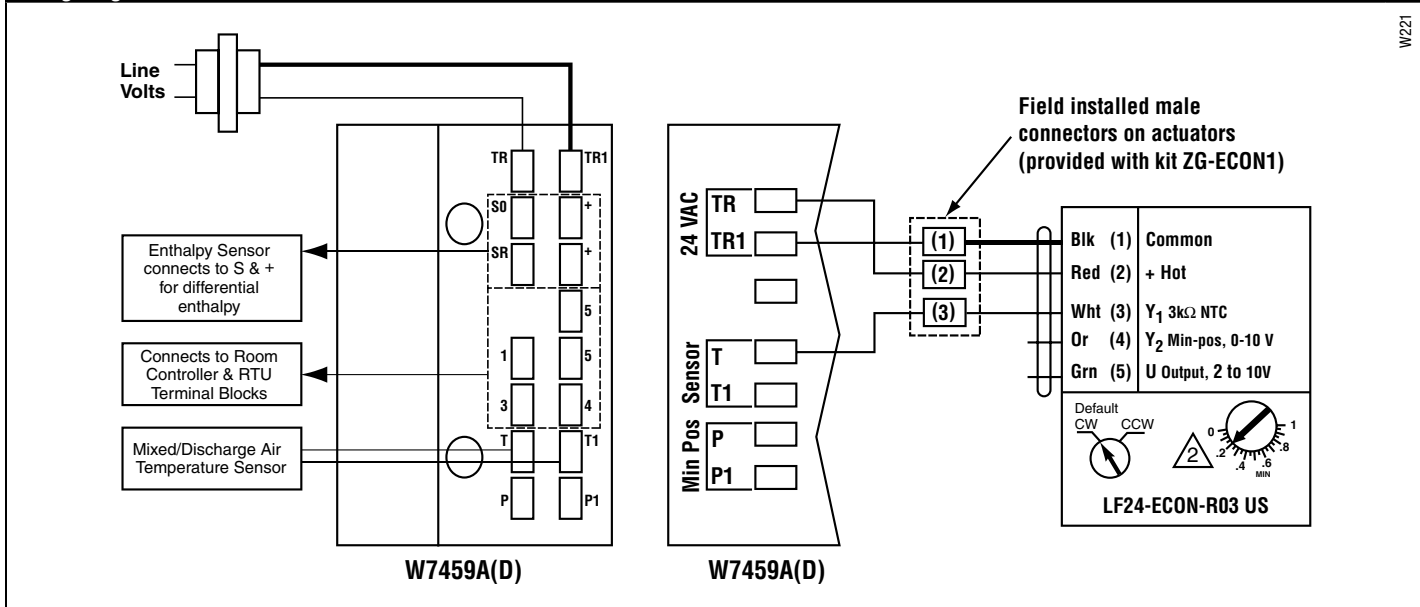
### Mounting



### Replacing an Honeywell® M7415 actuator



### Wiring Diagram for Installation of the LF24-ECON-R03 US



W221

M40024 - 05/10 - Subject to change. © Belimo Aircontrols (USA), Inc.

# LF24-MFT(-S)-20 US

Proportional, Spring Return, 24 V, for 6 to 9 VDC

Output Power Supply 20 VDC Provides Power to Controllers



MFT



Technical Data		LF24-MFT(-S) -20 US
Power supply		24 VAC, ± 20%, 50/60 Hz 24 VDC, ±10%
Power consumption	running	3 W
	holding	1.5 W
Transformer sizing		6 VA (Class 2 power source)
Electrical connection (-S models have 2 cables)		3 ft, 18 GA, appliance cable
		1/2" conduit connector
Overload protection		electronic throughout 0 to 95° rotation
Operating range Y*		6 to 9 VDC (Default), P-10005
Input impedance		100 kΩ for 2 to 10 VDC (0.1 mA)
		500 Ω for 4 to 20 mA
		1500 Ω for PWM, floating point and on/off control
Feedback output U*		2 to 10 VDC, 0.5 mA max
Torque		35 in-lb (4 Nm)
Direction of rotation*	spring	reversible with cw/ccw mounting
	motor	reversible with built-in switch
Angle of rotation*		max 95°, adjustable with mechanical stop
Mechanical angle of rotation*		limited to 95°
Running time	motor*	150 sec constant
	spring	<25 sec @ -4°F to 122°F [-20°C to 50°C] <60 sec @ -22°F [-30°C]
Angle of rotation adaptation*		off (default)
Override control*		Min. (Min Position) = 0%
		- ZS (Mid. Position) = 50%
		- Max. (Max. Position) = 100%
Position indication		visual indicator, 0° to 95° (0° is spring return position)
Humidity		5 to 95% RH, non-condensing
Ambient temperature		-22 to 122° F (-30 to 50° C)
Storage temperature		-40 to 176° F (-40 to 80° C)
Housing		NEMA 2, IP54
Housing material		zinc coated metal
Noise level	running	< 30 db (A)
	spring return	62 dB (A)
Agency listings		cULus acc. to UL 873 and CAN/CSA C22.2 No. 24-93
Quality standard		ISO 9001
Servicing		maintenance free
Weight	LF24-MFT-20 US	3.1 lbs (1.40 kg)
	LF24-MFT-S-20 US	3.2 lbs (1.45 kg)

\* Variable when configured with MFT options

LF24-MFT-S-20 US	
Auxiliary switches	1 x SPDT 3A (0.5A) @ 250 VAC, UL approved adjustable 0° to 95° (double insulated)

- Torque min. 35 in-lb
- Control 6 to 9 VDC (DEFAULT)
- Feedback 2 to 10 VDC (DEFAULT)
- 20 VDC power output

## Application

For proportional modulation of dampers and control valves in HVAC systems. The LF24-MFT(-S)-20 US provides mechanical spring return operation for reliable fail-safe application.

## Default/Configuration

Default parameters for 6 to 9 VDC applications of the LF24-MFT(-S)-20 US actuator are assigned during manufacturing. If required, custom versions of the actuator can be ordered. The parameters noted in the Technical Data table are variable.

These parameters can be changed by three means:

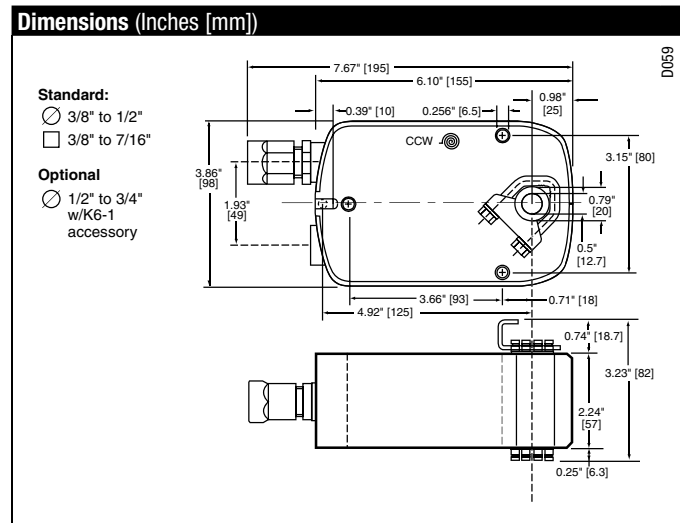
- Pre-set configurations from Belimo
- Custom configurations from Belimo
- Configurations set by the customer using the MFT PC tool software application.

## Operation

The LF24-MFT(-S)-20 US actuator provides 95° of rotation and is provided with a graduated position indicator showing 0° to 95°. The actuator will synchronize the 0° mechanical stop or the damper or valves mechanical stop and use this point for its zero position during normal control operations.

The actuator uses a brushless DC motor which is controlled by an Application Specific Integrated Circuit (ASIC) and a microprocessor. The microprocessor provides the intelligence to the ASIC to provide a constant rotation rate and to know the actuator's exact position. The ASIC monitors and controls the brushless DC motor's rotation and provides a Digital Rotation Sensing (DRS) function to prevent damage to the actuator in a stall condition. The position feedback signal is generated with out the need for mechanical feedback potentiometers using DRS. The actuator may be stalled anywhere in its normal rotation without the need of mechanical end switches.

The LF24-MFT(-S)-20 US is mounted directly to control shafts up to 3/4" diameter by means of its universal clamp and anti-rotation bracket. A crank arm and several mounting brackets are available for damper applications where the actuator cannot be direct coupled to the damper shaft. The spring return system provides minimum specified torque to the application during a power interruption. The LF24-MFT(-S)-20 US actuator is shipped in the zero position, compression against seats or gaskets for tight shut-off is accomplished manually.



M40024 - 05/10 - Subject to change. © Belimo Aircontrols (USA), Inc.

### Wiring Diagrams

#### INSTALLATION NOTES

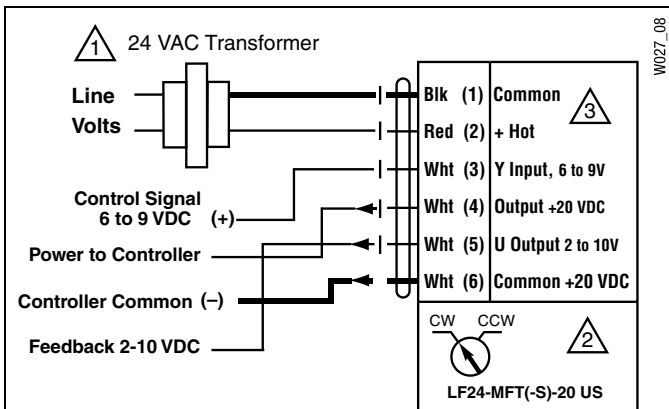
- 1 Provide overload protection and disconnect as required.
- 2 **CAUTION Equipment Damage!**  
Actuators may be connected in parallel.  
Power consumption and input impedance must be observed.
- 2 Actuators may be connected in parallel if not mechanically mounted to the same shaft. Power consumption and input impedance must be observed.
- 3 Actuator may also be powered by 24 VDC.
- 6 For end position indication, interlock control, fan startup, etc., LF24-MFT(-S)-20 US incorporates one built-in auxiliary switch: 1 x SPDT, 3A (0.5A) @250 VAC, UL Approved, adjustable 0° to 95°.
- A 24 VAC: Black/Blue  
120 VAC: White  
240 VAC: White/Black  
Belimo modulating actuators are 24 VAC/DC, if 120 or 240 is available an external transformer is required.
- B Maximum of 2
- C MP-52XX-500 models include internal SPDT auxiliary switch.

#### APPLICATION NOTES

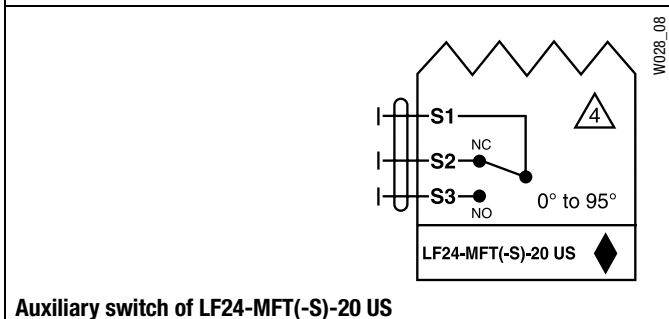
- ◆ Meets cULus requirements without the need of an electrical ground connection.

#### WARNING Live Electrical Components!

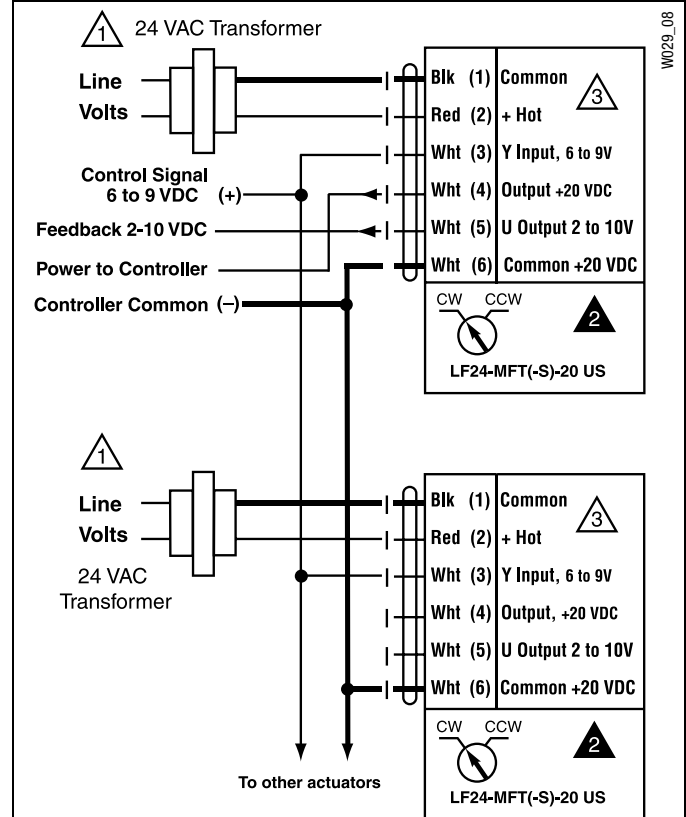
During installation, testing, servicing and troubleshooting of this product, it may be necessary to work with live electrical components. Have a qualified licensed electrician or other individual who has been properly trained in handling live electrical components perform these tasks. Failure to follow all electrical safety precautions when exposed to live electrical components could result in death or serious injury.



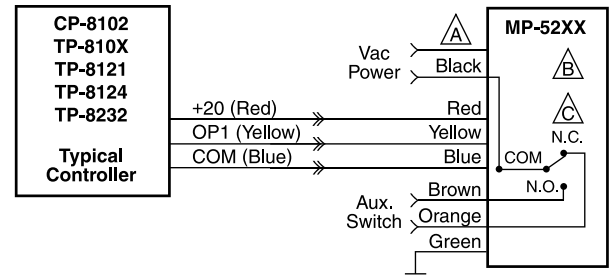
6 to 9 VDC control of LF24-MFT(-S)-20 US



Auxiliary switch of LF24-MFT(-S)-20 US



Multiple LF24-MFT(-S)-20 US actuators from one controller



#### Wire cross reference

MP-52XX	Belimo (SR or MFT)	
Black/Blue, Power	2, Hot	
Black, Power	1, Com	
Red, +20	4, +20 VDC	
Yellow, OP1	3, Signal	
Blue, COM	6, Com VDC	
Brown, N. O.	S3, N.O.	"-S" type
Orange, N.C.	S2, N.C.	"-S" type
Green, ground	Not used	

Typical Control Wiring for MP-52XX Series Actuators to Controllers Requiring External 20 VDC Power Supply.



# Installation Instructions

## Quick-Mount Visual Instructions for Mechanical Installation



### Quick-Mount Visual Instructions

1. Rotate the damper to its failsafe position. If the shaft rotates counterclockwise, mount the "CCW" side of the actuator out. If it rotates clockwise, mount the actuator with the "CW" side out.
2. If the universal clamp is not on the correct side of the actuator, move it to the correct side.
3. Slide the actuator onto the shaft and tighten the nuts on the V-bolt with a 10mm wrench to 6-8 ft-lb of torque.
4. Slide the anti-rotation strap under the actuator so that it engages the slot at the base of the actuator. Secure the strap to the duct work with #8 self-tapping screws.

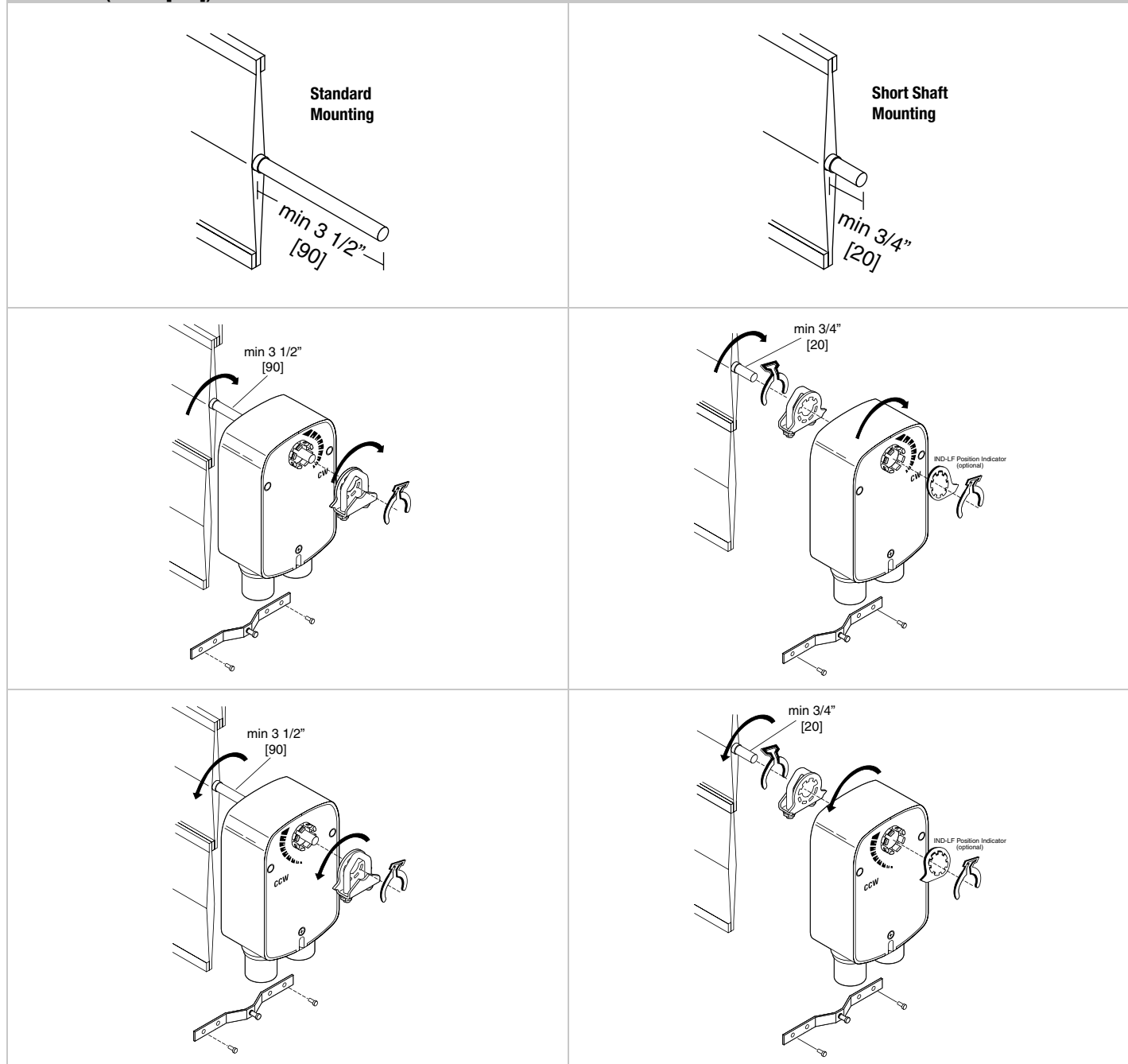
**NOTE:** Read the "Standard Mounting" instructions, on the next page, for more detailed information.

### Preliminary Steps

1. Belimo actuators should be mounted indoors in dry, relatively clean environment free from corrosive fumes. If the actuator is to be mounted outdoors, a protective enclosure must be used to shield the actuator (See *Belimo Mechanical Accessories*).
2. For new construction work, **order dampers with extended shafts**. Instruct the installing contractor to allow space for mounting and service of the Belimo actuator on the shaft.
3. For standard mounting, the damper shaft must extend at least 3 1/2" from the duct. If the shaft extends less than 3 1/2", the actuator may be mounted in its short shaft configuration. If an obstruction blocks access, the shaft can be extended with the AV 10-18 shaft extension. (K6-1 is required)



### Dimensions (Inches [mm])



M40024 - 05/10 - Subject to change. © Belimo Aircontrols (USA), Inc.

### Mechanical Operation

The actuator is mounted directly to a damper shaft up to 1/2" in diameter by means of its universal clamp, or up to a 3/4" shaft with the optional K6-1 clamp. A crank arm and several mounting brackets are available for applications where the actuator cannot be direct coupled to the damper shaft.

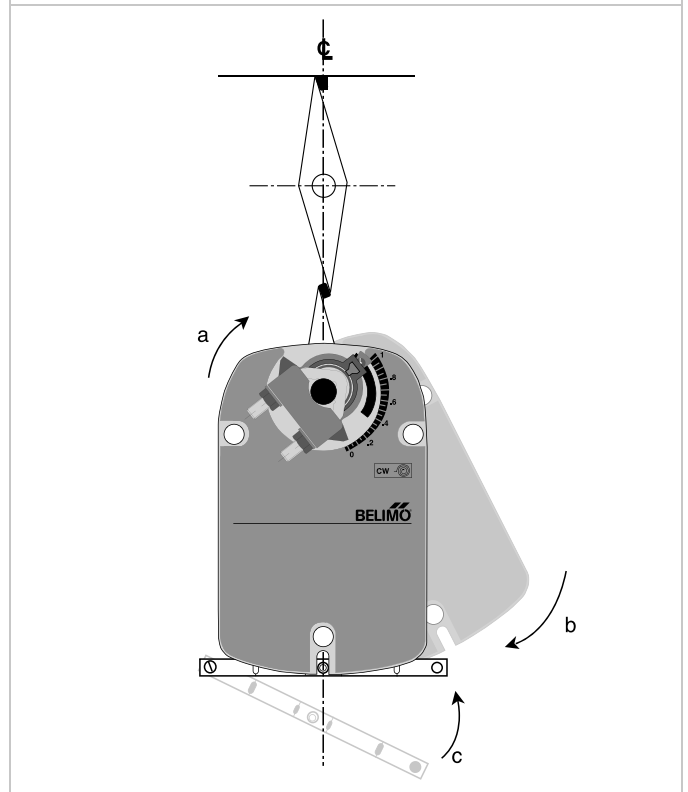
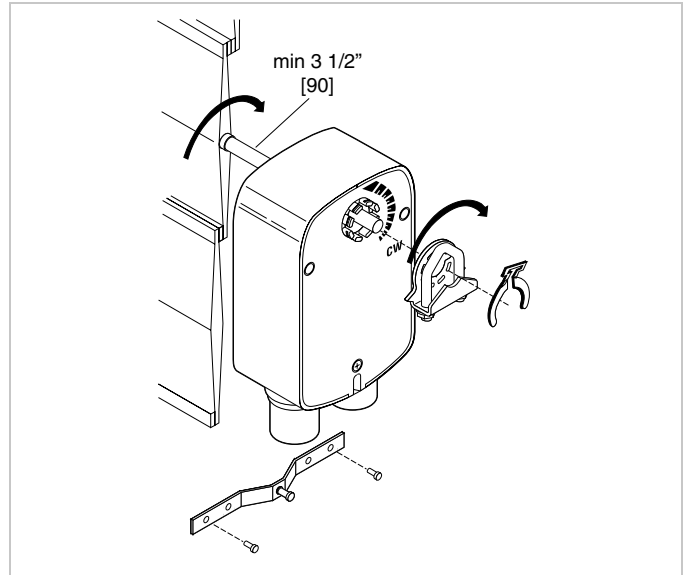
The LF series actuators provide true spring return operation for reliable fail-safe application and positive close-off on air tight dampers. The spring return system provides consistent torque to the damper with, and without, power applied to the actuator.

The LF series provides 95° of rotation and is provided with a graduated position indicator showing 0 to 95°.

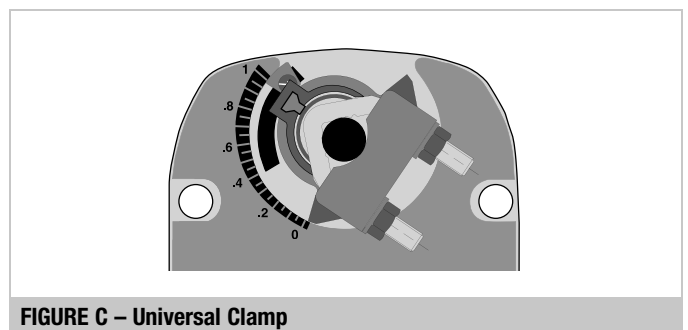
The LF...-S versions are provided with 1 built-in auxiliary switch. This SPDT switch is provided for safety interfacing or signaling, for example, for fan start-up. The switching function is adjustable between 0° and 95°.

### Standard Mounting / Airtight Damper Procedure

1. See **Figure B**. Manually move the damper to the fail-safe position (a) (usually closed). If the shaft rotated counterclockwise (↺), this is a CCW installation. If the shaft rotated clockwise (↻), this is a CW installation. In a Left Hand installation, the actuator side marked "CW" faces out, while in a CW installation, the side marked "CCW" faces out. All other steps are identical.
2. The actuator is usually shipped with the universal clamp mounted to the "CW" side of the actuator. To test for adequate shaft length, slide the actuator over the shaft with the side marked "CW" (or the "CCW" side if this is the side with the clamp). If the shaft extends at least 1/8" through the clamp, mount the actuator as follows. If not, go to the *Short Shaft Installation* section.
3. If the clamp is not on the correct side as determined in step #1, re-mount the clamp as follows. If it is on the correct side, proceed to step #5. Look at the universal clamp. If you are mounting the actuator with the "CCW" side out, position the clamp so that the pointer section of the tab is pointing to 0° (see **Figure C**) and the spline pattern of the clamp mates with spline of the actuator. Slip the clamp over the spline. (Use the same procedure if the "CW" side is out.)
4. Lock the clamp to the actuator using the retaining clip.
5. Verify that the damper is still in its full fail-safe position (a).
6. Mount the spring return actuator to the shaft. Tighten the universal clamp, finger tight only.
7. Mount the anti-rotation strap at the base of the actuator. Do not tighten the screws.
8. Remove the screw from one end of the mounting bracket and pivot it away from the actuator.
9. Loosen the universal clamp and, making sure not to move the damper shaft, rotate the actuator approximately 5° in the direction which would open the damper.
10. Tighten the universal clamp to the shaft.
11. Rotate the actuator to apply pressure to the damper seals (b) and re-engage the anti-rotation strap (c).
12. Tighten all fasteners.



**FIGURE B – Standard Mounting** (Dimensions in Inches [mm])



**FIGURE C – Universal Clamp**

### Short Shaft Mounting with IND-LF Position Indicator / Airtight Damper Procedure

If the shaft extends at least 3/4" from the duct, follow these steps:

1. (See **Figure D**) Move damper blades to the fail-safe position (a).
2. Determine the best orientation for the universal clamp on the back of the actuator. The best location would be where you have the easiest access to the V bolt nuts on the clamp.
3. Engage the clamp to the actuator as close as possible to the determined location.
4. Lock the clamp to the actuator using the retainer clip.
5. Mount the spring return actuator to the shaft. Tighten the universal clamp, finger tight only.
6. Mount the anti-rotation strap at the base of the actuator. Do not tighten the screws.
7. Remove the screw from one end of the mounting bracket and pivot it away from the actuator.
8. Loosen the universal clamp, making sure not to move the damper shaft, rotate the actuator approximately 5° in the direction which would open the damper.
9. Verify that the damper is still in its full fail-safe position.
10. Tighten the universal clamp to the shaft.
11. Rotate the actuator to apply pressure to the damper seals (b) and re-engage the anti-rotation strap (c).
12. Tighten all fasteners.
13. Use IND-LF accessory if position indication is needed.

### Operational Information for LF24-SR US and LF24-MFT... US Actuators

#### Initialization of the LF24-SR US and LF24-MFT... US

When power is applied, the internal microprocessor recognizes that the actuator is at its full fail-safe position and uses this position as the base for all of its position calculations. This procedure takes approximately 15 seconds. During this time you will see no response at the actuator. The microprocessor will retain the initialized zero during short power failures of up to 25 seconds. When power is applied during this period, the actuator will return to normal operation and proceed to the position corresponding to the input signal provided. For power failures over 25 seconds, the actuator will be at its fail-safe position and will go through the start up initialization again.

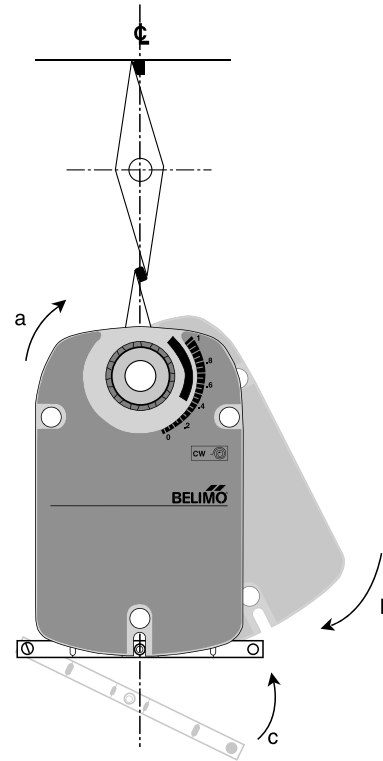
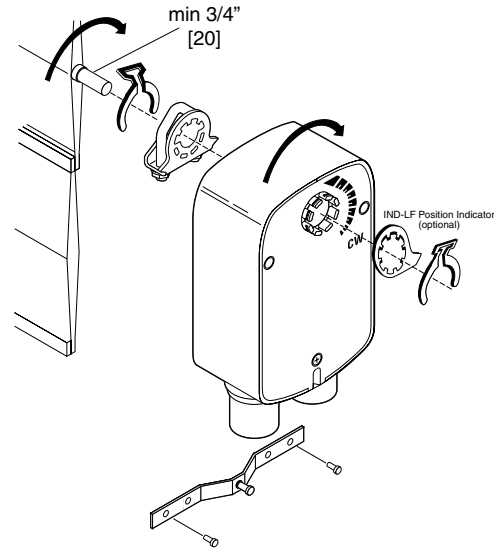
#### Motor position detection

Belimo brushless DC motors eliminate the need for potentiometers for positioning. Inside the motor are three "Hall Effect" sensors. These sensors detect the spinning rotor and send pulses to the microprocessor which counts the pulses and calculates the position to within 1/3 of a revolution of the motor.

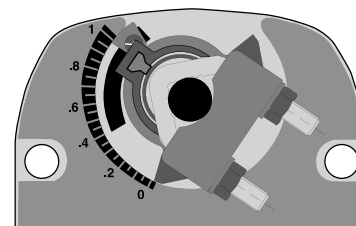
#### Overload protection

The LF, On/Off actuators are electronically protected against overload. The LF, On/Off actuators have an internal current limiter which maintains the current at a safe level which will not damage the actuator while providing adequate holding torque.

The LF24, modulating actuators (LF24-SR US, LF24-3 US, LF24-MFT US) are protected against overload by digital technology located in the ASIC. The ASIC circuitry constantly monitors the rotation of the brushless DC motor inside the actuator and stops the pulsing to the motor when it senses a stall condition. The motor remains energized and produces full rated torque during stall conditions. The actuator will try to move in the direction of the stall every 2 minutes, for a period of 32 minutes. After this, the actuator will try again every 2 hours.



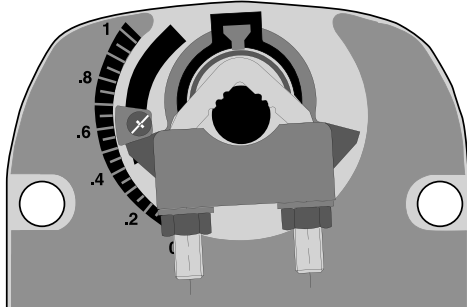
**FIGURE D – Standard Mounting** (Dimensions in Inches [mm])



**FIGURE C – Universal Clamp**

### Mechanical Angle of Rotation Limiting

The LF actuators are provided with an adjustable stop to limit the rotation of the actuator. This function works in conjunction with the universal clamp or the optional position indicator. The adjustable stop is needed when rotation of less than 95° is required. The LF actuator can be indefinitely stalled, in any position, without harming the actuator.



### Using the Universal Clamp

1. Loosen the end stop fastening screw using a #2 Phillips screwdriver.
2. Move the stop block so the bottom edge of the block lines up with the number corresponding to the desired degrees of rotation. (example: 45 degrees of rotation = .5)
3. Lock the block in place with the fastening screw.
4. Check the actuator for proper rotation.

### Using the IND-LF Position Indicator with Adjustable Stop

**NOTE:** preferred method if short shaft mounting is used.

1. With the actuator in its fail-safe position, place the IND-LF Position Indicator so that it points to the 0 degree position.
2. Loosen the end stop fastening screw using a #2 Phillips screwdriver.
3. Move the stop block so the bottom edge of the block lines up with the number corresponding to the desired degrees of rotation (example: 45 degrees of rotation = .5).
4. Lock the block in place with the fastening screw.
5. Check the actuator for proper rotation.

### Direction of Rotation Switch

LF24-3(-S) US and LF24-SR(-S) US actuators have a direction of rotation switch on the cover labeled "CW-CCW". Switch position indicates start point. For the LF24-SR, with the switch in position "CW", the actuator rotates clockwise with a decrease in voltage or current. With the switch in position "CCW", the actuator rotates counter-clockwise with a decrease in voltage or current.

The LF24-3(-S) US and LF24-SR(-S) US actuators rotate clockwise when the switch is in the "CW" position and power is applied to wire #3. When power is applied to wire #4 the actuator rotates counter clockwise.

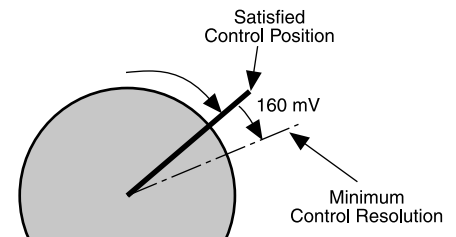
Rotating the direction of rotation switch to "CCW" reverses the control logic. During checkout, the switch position can be temporarily reversed and the actuator will reverse its direction. This allows the technician a fast and easy way to check the actuator operation without having to switch wires or change settings on the controller. When the check-out is complete, make sure the switch is placed back to its original position.

### Control Accuracy and Stability

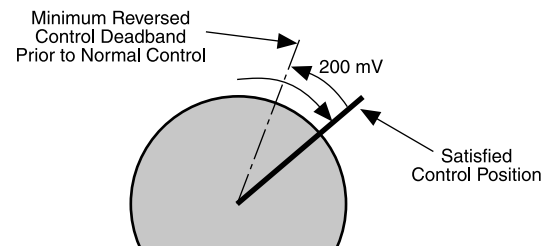
LF24-SR US actuators have built-in brushless DC motors which provide better accuracy and longer service life.

The LF24-SR US actuators are designed with a unique non-symmetrical deadband. The actuator follows an increasing or decreasing control signal with a 160 mV resolution. If the signal changes in the opposite direction, the actuator will not respond until the control signal changes by 200 mV. This allows these actuators to track even the slightest deviation very accurately, yet allowing the actuator to "wait" for a much larger change in control signal due to control signal instability.

**LF Actuator responds to a 160 mV signal when not changing direction from stop position.**



**LF Actuator responds to a 200 mV signal when reversing direction from stop position.**



The LF24-MFT(-S) US control accuracy and stability can be found in the MFT technical documentation.

# Installation Instructions

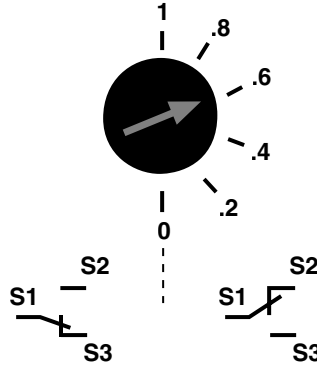
## Auxiliary Switches and Non-Direct Mounting Methods



### Auxiliary Switches

The ...-S model actuators are equipped with an adjustable auxiliary switch used to indicate damper position or to interface additional controls or equipment. Switching positions can be set over the full 0 to 95° rotation simply by setting a switch on the actuator.

1. Set desired switch position.  
(Example 60%)
2. As the actuator rotates, the switch indicator moves from .6 (60%) toward 0 (0%). When the indicator passes 0 the switch contact between S1 and S2 is broken and the contact between S1 and S3 is made.



### Switch Rating

Voltage	Resistive load	Inductive load
120 VAC	3 A	1.03 A
250 VAC	3 A	0.5 A

### Non-Direct Mounting Methods

#### KH-LF Crank arm

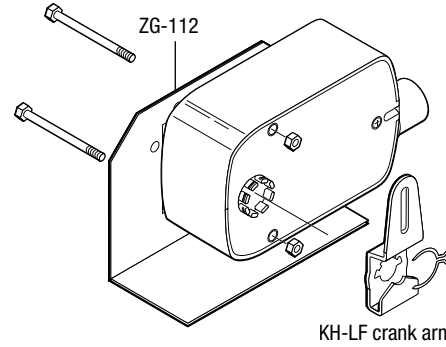
Including Retaining Ring



**KH-LF**

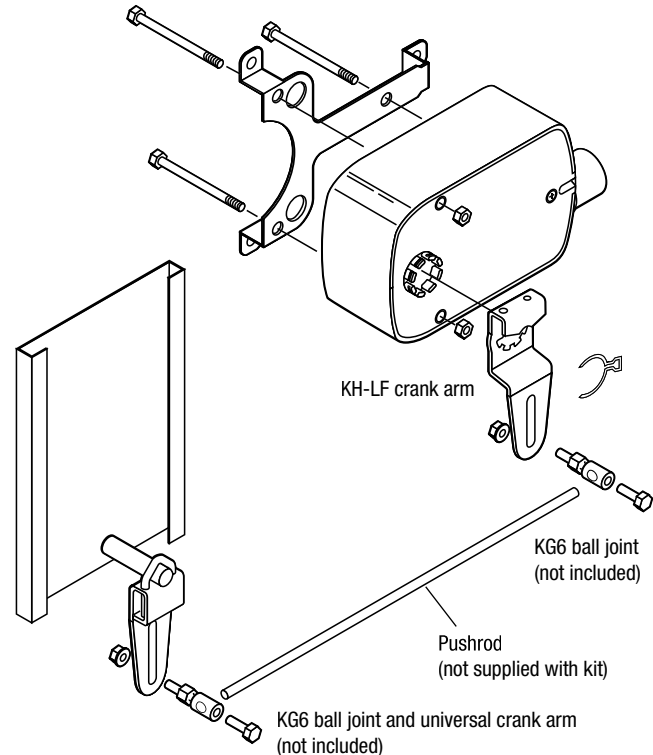
For round shafts up to 1/2"

#### ZG-LF112 Crank arm Adaptor Kit



KH-LF crank arm

#### ZG-LF2 Crank arm Adaptor Kit



KH-LF crank arm

KG6 ball joint  
(not included)

Pushrod  
(not supplied with kit)

KG6 ball joint and universal crank arm  
(not included)

M40024 - 05/10 - Subject to change. © Belimo Aircontrols (USA), Inc.

**WARNING** The wiring technician must be trained and experienced with electronic circuits. Disconnect power supply before attempting any wiring connections or changes. Make all connections in accordance with wiring diagrams and follow all applicable local and national codes. Provide disconnect and overload protection as required. Use copper, twisted pair, conductors only. If using electrical conduit, the attachment to the actuator must be made with flexible conduit.

Always read the controller manufacturer's installation literature carefully before making any connections. Follow all instructions in this literature. If you have any questions, contact the controller manufacturer and/or Belimo.

### Transformers

The LF24 . . actuator requires a 24 VAC class 2 transformer and draws a maximum of 7 VA per actuator. The actuator enclosure cannot be opened in the field, there are no parts or components to be replaced or repaired.

- EMC directive: 89/336/EEC
- Software class A: Mode of operation type 1
- Low voltage directive: 73/23/EEC

**CAUTION** It is good practice to power electronic or digital controllers from a separate power transformer than that used for actuators or other end devices. The power supply design in our actuators and other end devices use half wave rectification. Some controllers use full wave rectification. When these two different types of power supplies are connected to the same power transformer and the DC commons are connected together, a short circuit is created across one of the diodes in the full wave power supply, damaging the controller. Only use a single power transformer to power the controller and actuator if you know the controller power supply uses half wave rectification.

### Multiple Actuators, One Transformer

Multiple actuators may be powered from one transformer provided the following rules are followed:

1. The TOTAL current draw of the actuators (VA rating) is less than or equal to the rating of the transformer.
2. Polarity on the secondary of the transformer is strictly followed. This means that all No. 1 wires from all actuators are connected to the common leg on the transformer and all No 2 wires from all actuators are connected to the hotleg. Mixing wire No. 1 & 2 on one leg of the transformer will result in erratic operation or failure of the actuator and/or controls.

### Multiple Actuators, Multiple Transformers

Multiple actuators positioned by the same control signal may be powered from multiple transformers provided the following rules are followed:

1. The transformers are properly sized.
2. All No. 1 wires from all actuators are tied together and tied to the negative leg of the control signal. See wiring diagram.

### Wire Length for LF... Actuators

Keep power wire runs below the lengths listed in the table in **Figure A**. If more than one actuator is powered from the same wire run, divide the allowable wire length by the number of actuators to determine the maximum run to any single actuator.

Example for LF24-SR US: 3 actuators, 16 Ga wire  
 $550 \text{ Ft} \div 3 \text{ Actuators} = 183 \text{ Ft. Maximum wire run}$

#### LF24(-S) US Maximum Wire Length

Wire Size	Max. Feet.	Wire Size	Max. Feet
12 Ga	1100 Ft.	18 Ga	260 Ft.
14 Ga	700 Ft.	20 Ga	140 Ft.
16 Ga	440 Ft.	22 Ga	75 Ft.

#### LF120(-S) US / LF230(-S) Maximum Wire Length

Wire Size	Max. Feet.	Wire Size	Max. Feet
12 Ga	1250 Ft.	18 Ga	320 Ft.
14 Ga	800 Ft.	20 Ga	160 Ft.
16 Ga	500 Ft.	22 Ga	85 Ft.

#### LF24-SR(-S) US / LF24-3(-S) US LFC24-3-R(-S) US / LF24-MFT... US Maximum Wire Length

Wire Size	Max. Feet.	Wire Size	Max. Feet
12 Ga	1500 Ft.	18 Ga	375 Ft.
14 Ga	925 Ft.	20 Ga	200 Ft.
16 Ga	550 Ft.	22 Ga	100 Ft.

**FIGURE A**

### Wire Type and Wire Installation Tips

For most installations, 18 or 16 Ga. cable works well with the LF24... actuators. Use code-approved wire nuts, terminal strips or solderless connectors where wires are joined. It is good practice to run control wires unspliced from the actuator to the controller. If splices are unavoidable, make sure the splice can be reached for possible maintenance. Tape and/or wire-tie the splice to reduce the possibility of the splice being inadvertently pulled apart.

The LF24... proportional actuators have a digital circuit that is designed to ignore most unwanted input signals (pickup). In some situations the pickup may be severe enough to cause erratic running of the actuator. For example, a large inductive load (high voltage AC wires, motors, etc.) running near the power or control wiring may cause excessive pickup. To solve this problem, make one or more of the following changes:

1. Run the wire in metallic conduit.
2. Re-route the wiring away from the source of pickup.
3. Use shielded wire (Belden 8760 or equal). Ground the shield to an earth ground. Do not connect it to the actuator common.

### Brushless DC Motor Operation

Belimo's brushless DC motor spins by reversing the poles of stationary electromagnets housed inside rotating permanent magnets. The electromagnetic poles are switched by a microprocessor and a special ASIC (Application Specific Integrated Circuit) developed by Belimo. Unlike the conventional DC motor, there are no brushes to wear or commutators to foul.

LF24-SR (-S) US and LF24-MFT...US + P100 Electrical Check-Out Procedure				
STEP	Procedure	Expected Response	Gives Expected Response Go To Step...	Does Not Give Expected Response Go To Step...
1.	Remove power to reset actuator. Re-apply power. Apply control signal to actuator.	Actuator will move to its "Control Signal" position.	Actuator operates properly <b>Step 8.</b>	No response at all <b>Step 2.</b> Operation is reversed <b>Step 3.</b> Does not drive toward "Control Signal Position" <b>Step 4.</b>
2.	Check power wiring. Correct any problems. See Note 1.	Power supply rating should be the total power requirement of the actuator(s). Minimum voltage of 19.2 VAC or 21.6 VDC.	Power wiring corrected, actuator begins to drive <b>Step 1.</b>	Power wiring corrected, actuator still does not drive <b>Step 4.</b>
3.	Turn reversing switch to the correct position. Make sure the switch is turned all the way left or right.	Actuator will move to its "Control Signal" position.	Actuator operates properly <b>Step 8.</b>	Does not drive toward "Control Signal Position" <b>Step 4.</b>
4.	Make sure the control signal positive (+) is connected to Wire No 3 and control signal negative (-) is connected to wire No. 1. Most control problems are caused by reversing these two wires. Verify that the reversing switch is all the way CCW or CW.	Drives to "Control Signal" position	Actuator operates properly <b>Step 8.</b>	<b>Step 5.</b>
5.	Check input signal with a digital volt meter (DVM). Make sure the input is within the range of the actuator. For LF24-SR US this is 2 to 10 VDC or 4 to 20 mA. Note: The input signal must be above the 2 VDC or 4 mA to have the actuator move.	Input voltage or current should be $\pm 1\%$ of what controller's adjustment or programming indicate.	Controller output (actuator input) is correct. Input Polarity Correct <b>Step 6.</b>	Reprogram, adjust repair or replace controller as needed <b>Step 1.</b>
6.	Loosen the nuts on the V-bolt and move the damper by hand from fully closed to fully open.	Damper will go from fully closed to fully open.	Damper moves properly <b>Step 7.</b>	Find cause of damper jam and repair. Move damper back to the fully closed position and tighten the nuts <b>Step 1.</b>
7.	Check damper torque requirement.	Torque requirement is actuator's minimum torque.	Defective Actuator. Replace Actuator. - <b>See Note 2.</b>	Recalculate actuator requirement and correct installation.
8.	Actuator works properly. Test controller by following controller manufacturer's instructions.			

- NOTE 1** Check that the transformer(s) are sized properly.
- If a common transformer is used, make sure that polarity is observed on the secondary. This means connect all No. 1 wires to one leg of the transformer and all No. 2 wires to the other leg of the transformer.
  - If multiple transformers are used with one control signal, make sure all No. 1 wires are tied together and tied to control signal negative (-).
  - Controllers and actuators must have separate 24 VAC/VDC power sources.

**NOTE 2** If failure occurs within 5 years from original installation date, notify Belimo and give details of the application.