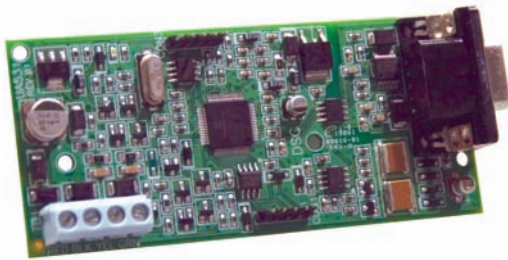


With the installation of the IT-100 integration module by DSC, PowerSeries™ control panels are able to interface with leading manufacturers of home and building automation products and audio distribution systems to create seamless, fully integrated control solutions. The modules feature a bi-directional RS-232 interface that accepts commands and sends event-driven or state-change commands to third-party applications to create shared functionality. For example, once a security system is disarmed upon entry, the IT-100 can send a command to an HVAC system to automatically raise the thermostat or send a command to a home automation system to turn on the lights.



Product Features:

- ▶ Compatible with all PowerSeries control panels
- ▶ Bi-directional RS-232 interface
- ▶ Real-time zone status
- ▶ Fully programmable
- ▶ 4-wire hook-up to KEYBUS
- ▶ Enables third parties to perform virtual keypad functions
- ▶ Enables third parties to perform thermostat control functionality via the DSC Escort module (see diagram on back)



hvacUSA.com

A MechTronics Controls Company

www.hvacusa.com

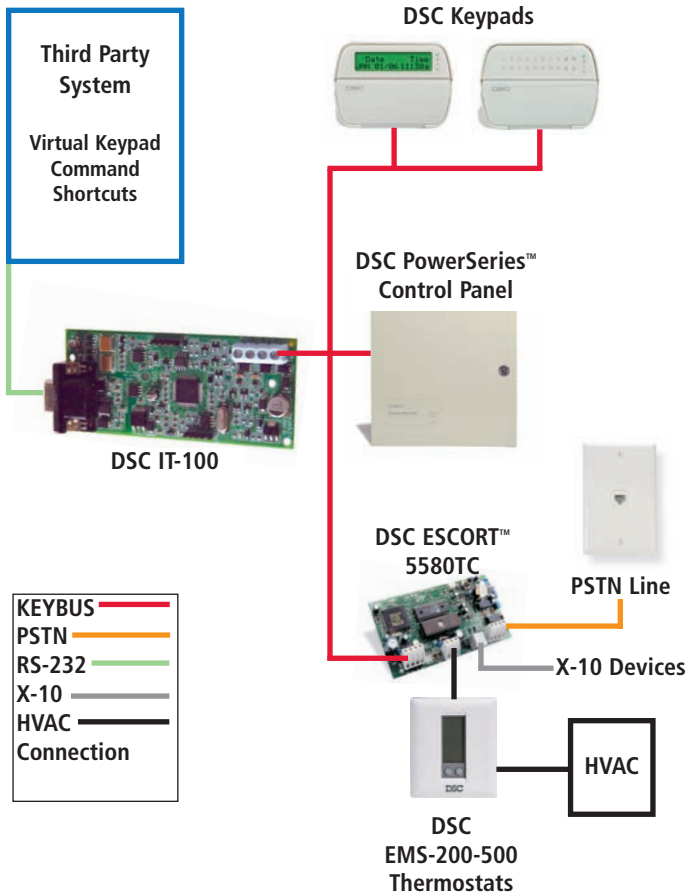
Phone (877) 632-4876

How it Works

The IT-100 integration module provides an Application Programming Interface (API) to allow third-party applications to communicate with PowerSeries control panels and form fully integrated control solutions. When programming the module, there are two types of commands available:

- Commands sent by third-party applications to the IT-100.
- Event-driven or state-change commands that the IT-100 sends to third-party applications.

Once programmed, the module can be used to create custom interfaces for users or for the integration of building systems, such as CCTV, with PowerSeries security systems.



Ordering Information:

IT-100 PowerSeries Integration Module

Baud Rate Selection

The default Baud rate of the IT-100 integration module is set at 9,600. The table below indicates the recommended Baud rate settings in relation to the length of the RS-232 cable.

Baud Rate	Cable Length*
9,600	100'
19,200	50'
38,400	25'
57,600	20'
115,200	8'

* Cable capacitance 50pF/ft

Compatibility

The IT-100 is compatible with the following PowerSeries control panels:

- PC1616 6-16 zone control panel
- PC1832 8-32 zone control panel
- PC1864 8-64 zone control panel
- Power432™ (PC580) 4-32 zone control panel
- Power632™ (PC1555MX) 6-32 zone control panel
- Power832® (PC5010/5015) 8-32 zone control panel
- Power864™ (PC5020) 8-64 zone control panel

Specifications

Dimensions	4 1/10" x 1 8/10"
	(104 mm x 46 mm)
Input Voltage	14.4 Vdc (Max)
Current Draw	65 mA (Max)
Operating Environment	32° to 120° F
	(0° to 49° C)
Relative Humidity	5% to 93%
Baud Rates	9,600, 19,200, 38,400, 57,600, 115,200

Distributed by:



hvacUSA.com
A MechTronics Controls Company
www.hvacusa.com
Phone (877) 632-4876

DSC

For product information
www.dsc.com
Product specifications and availability subject to change without notice. Certain product names mentioned herein may be trade names and/or registered trademarks of other companies.
©2006 2006-12