



LOAD TRENDING WITH 0-10VDC OUTPUT



H723HC



High current monitoring in a solid-core housing

H723LC



Low current monitoring in a solid-core housing

H923



Wide range current monitoring in a split-core housing

# Current Transducers: 0-10VDC Analog Output

The Hawkeye 723/923 Series provide accurate load trending information with a proportional 0-10VDC output signal. Devices offer three amperage range options, with slide-switch selection for easy field adjustment – no need for jumpers.

**APPLICATIONS**

- Load trending
- Motor control
- Fan/pump status

**Self-powered analog current sensor 0-10VDC output**

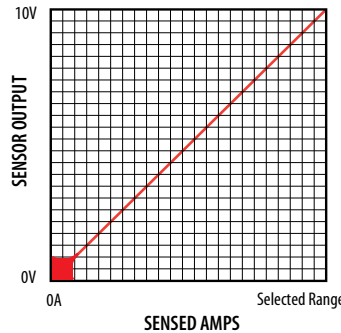
- Self-gripping split-core for fast retrofit installation...no need to remove conductor (H923)
- No jumpers on unit...reduces installation error
- No external power required for sensor

**Factory calibrated for ease of installation**

- Factory calibrated field-selectable ranges for high resolution and installation ease
- One device to stock and install...reduces installation charges
- Removable mounting bracket for installation flexibility
- 100% solid state, no moving parts to fail
- 5-year limited warranty

**EXAMPLE LINEAR OUTPUT**

Scale software as shown



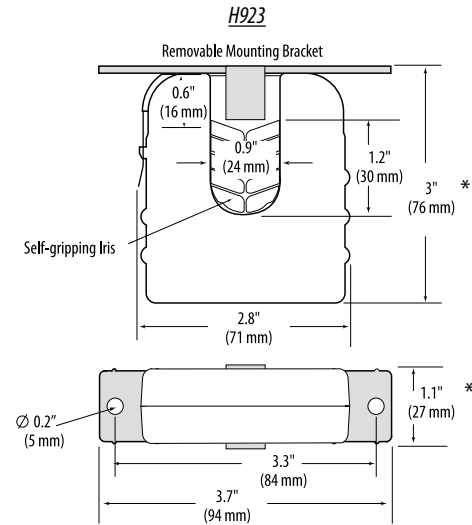
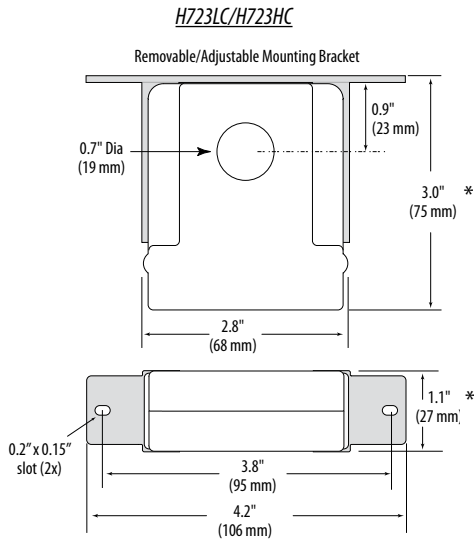
**SPECIFICATIONS**

<b>Sensor Power</b>	Induced from monitored current
<b>Insulation Class</b>	300VAC RMS
<b>Frequency Range</b>	50/60Hz
<b>Temperature Range</b>	-15° to 60°C (5° to 140°F)
<b>Humidity Range</b>	10 - 90% RH, non-condensing
<b>Accuracy</b>	±2% full scale from 10% to 100% (selected range)
<b>Response Time</b>	2 sec.
<b>Terminal Block Maximum Wire Size</b>	14 AWG
<b>Terminal Block Torque (nominal)</b>	4 in-lbs (0.45 N-m)
<b>Agency Approvals</b>	CE: EN61010-1:2001-2, CAT III, deg. 2, basic insulation

For applications requiring double or reinforced insulation, please contact the factory



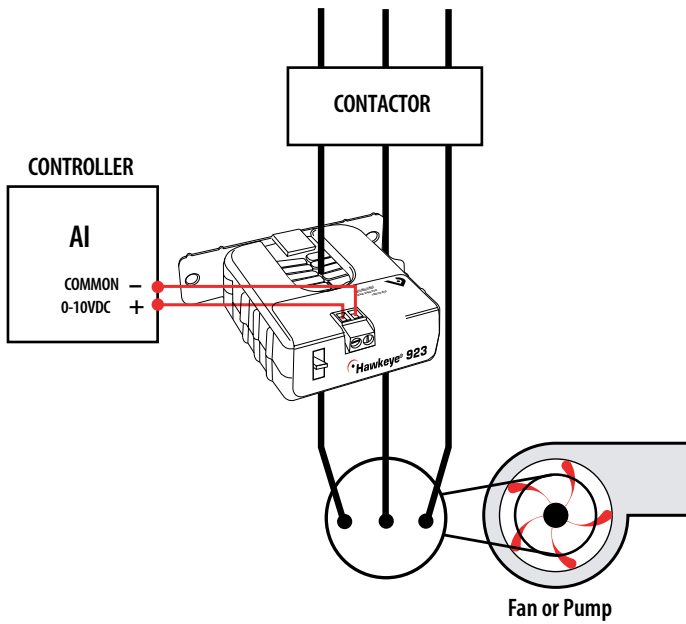
**DIMENSIONAL DRAWINGS**



\* Terminal block may extend up to 1/8"; slide switch may extend up to 1/4" over the height dimensions shown.

**APPLICATION/WIRING EXAMPLE**

*Monitoring Fan /Pump Motors for Positive Proof of Flow*



**ORDERING INFORMATION**



MODEL	AMPERAGE RANGE	SENSOR OUTPUT	HOUSING	CE
H723LC	0 - 10/20/40A	0 - 10VDC	Solid-core	●
H723HC	0 - 50/100/200A		Solid-core	●
H923	0 - 20/100/150A		Split-core	●

**ACCESSORIES**

DIN Rail Clip Set, DIN Rail, and DIN Stop Clip...see page 219.