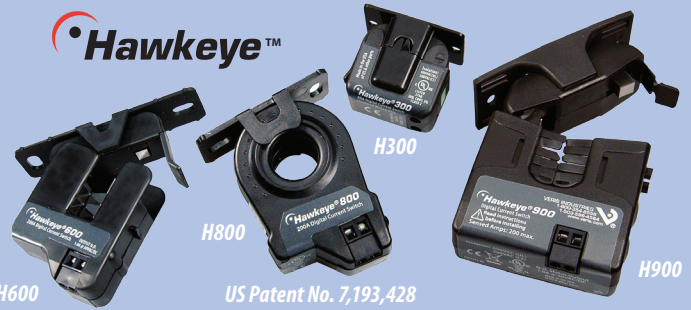


Current Switches: Fixed Trip Point



Split-Core & Solid-Core On/Off Status Current Switches



DESCRIPTION

Hawkeye x00 on/off current switches provide a cost-effective solution for monitoring status on unit vents, exhaust fans, recirculation pumps, and other fixed loads where belt loss is not a concern.

Veris has applied new technology to the H300, H600, and H800 models to achieve impressive improvement in turn-on levels. The Hawkeye H300 and H600 now have the lowest turn-on current in the industry at a mere 150mA!

APPLICATIONS

- Monitoring status of electrical loads
- Monitoring direct-drive units, exhaust fans, process motors, and other fixed loads
- Verifying lighting run times

FEATURES

- More reliable for status than relays across auxiliary contacts
- Ideal for direct-drive units, unit vents, fan coil units, exhaust fans, and other fixed loads
- Great for lighting status—less expensive than 277V relays
- Low 0.15 A turn-on (H300 and H600)...ideal for small exhaust fans (not intended to detect belt loss)
- Removable mounting bracket provides installation flexibility
- Bracket on H900 can be installed in three different configurations...installer convenience
- Split-core H300, H600, and H900 for fast retrofit installation
- Mini solid-core H800 and micro split-core H300 fit in tight enclosures... saves valuable panel space
- 100% solid-state, no moving parts to fail
- Polarity insensitive output
- 5-year warranty



CURRENT MONITORING

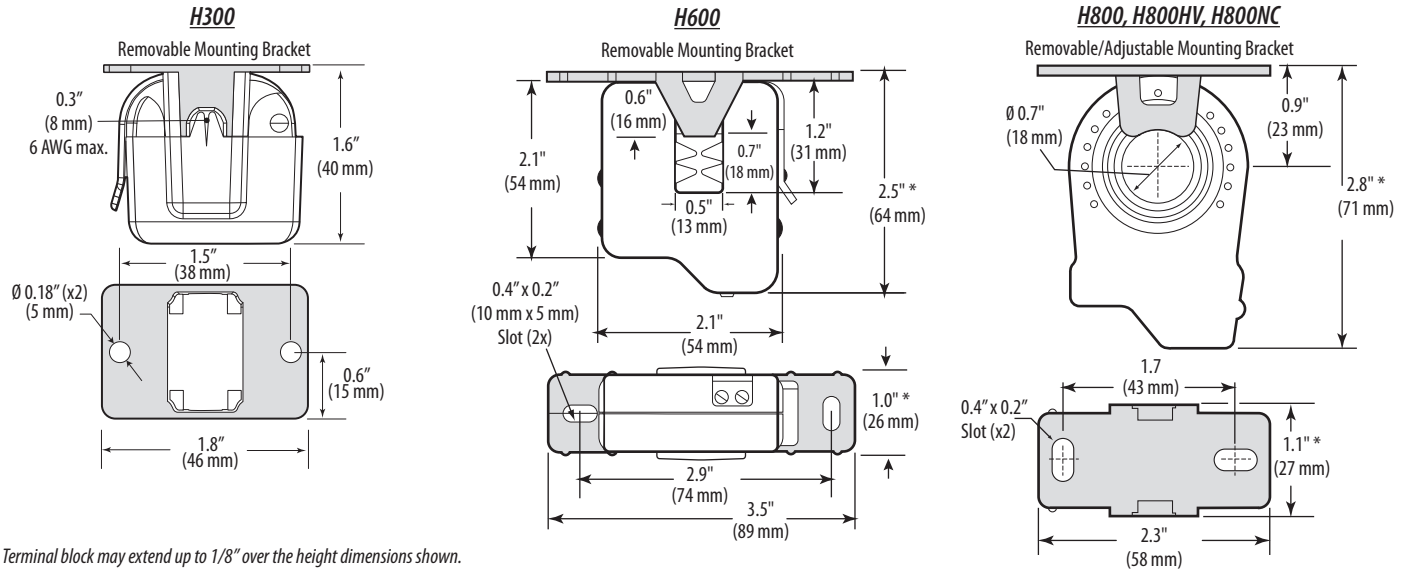
SPECIFICATIONS



Sensor Power	N.O models: Induced from monitored current; H800NC: 5-30VDC, permanently connected
Insulation Class	600VAC RMS (UL), 300VAC RMS (CE)
Frequency Range	50/60 Hz
Temperature Range	H800, H800NC, H300, H900: -15° to 60°C (5° to 140°F) H600: -15° to 40°C (5° to 104°F) (to 200A); -15° to 60°C (5° to 140°F) (to 150A) H800HV: -40° to 50°C (-40° to 122°F) (to 200A); -40° to 75°C (-40° to 167°F) (to 100A, & 0.25A status output)
Humidity Range	10-90% RH non-condensing
Off State Leakage (H800NC Only)	34µA@5VDC, 200µA@30VDC
On State Voltage Drop (H800NC Only)	1.9VDC (max.) @0.1A
Terminal Block Wire Size	H600, H800, H900: 24-14 AWG (0.2 to 2.1 mm ²); H300: 22-16 AWG (0.3 to 1.3 mm ²)
Terminal Block Torque	H600, H800, H900: 3.5 to 4.4 in-lbs (0.4 to 0.5 N-m); H300: 7 in-lbs (0.8 N-m)
Agency Approvals	UL 508 open device listing; CE: EN61010-1:2001-02, CAT III, pollution degree 2, basic insulation

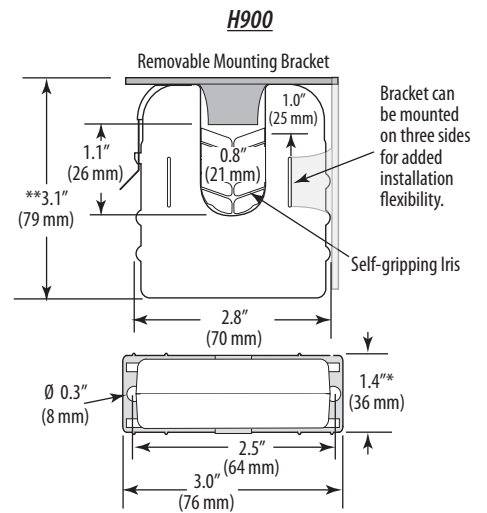
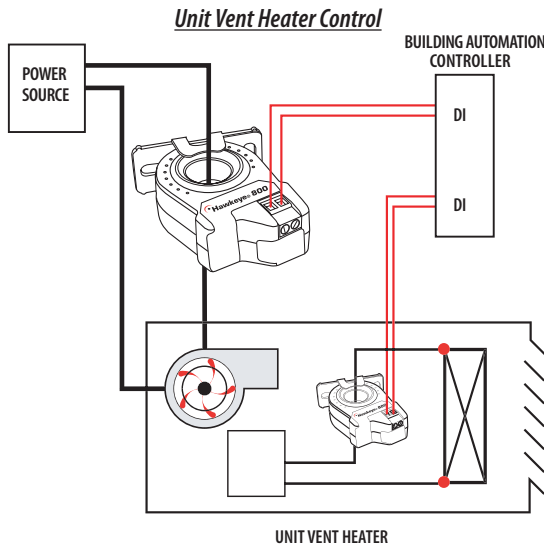
Do not use the LED status indicators as evidence of applied voltage.

DIMENSIONAL DRAWINGS



* Terminal block may extend up to 1/8" over the height dimensions shown.

APPLICATION/WIRING DIAGRAM



ORDERING INFORMATION



MODEL	AMPERAGE RANGE	STATUS OUTPUT (max.)	TRIP POINT	HOUSING	UL	CE	RoHS
H300	0.15 - 60A	N.O. 1.0A@30VAC/DC	0.15A or less	Split-core	●	● ²	●
H600	0.15 - 200A	N.O. 1.0A@30VAC/DC	0.15A or less	Split-core	● ¹	●	●
H800	0.25 - 200A	N.O. 1.0A@30VAC/DC	0.25A or less	Solid-core	● ¹	●	●
H800NC	0.5 - 200A	N.C. 0.1A@30VDC	0.5A or less	Solid-core	● ¹		●
H800HV	0.75 - 200A	N.O. 0.5A@250VAC/DC	0.75A or less	Solid-core	● ³		
H900	1.5 - 200A	N.O. 1.0A@30VAC/DC	1.5A or less	Split-core	●	●	

¹ Listed for use on 75°C insulated conductors.
² Product provides functional insulation only.
³ Listed for use on 90°C insulated conductors.

ACCESSORIES

DIN Rail Clip Set (AH01 for H6xx, H8xx, H9xx; AH27 for H3xx)
 DIN Rail (AV01) and DIN Stop Clip (AV02)

