

## Erie VT/VS PopTop Series Two Position Spring Return Valves

### General & High Close-Off PopTop Zone Valves General Instructions

### Application

Erie™ PopTop™ Series valve bodies and actuators provide easy installation for a variety of heating and cooling applications.

Valve's actuator can be installed after valve body has been installed onto fan coil, baseboard or air handler.

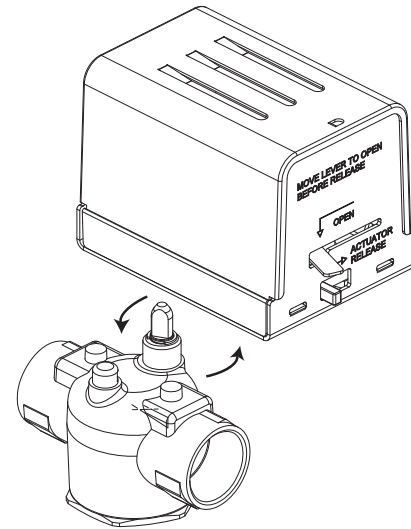
VS Series valves are available for low pressure steam applications.

### Features

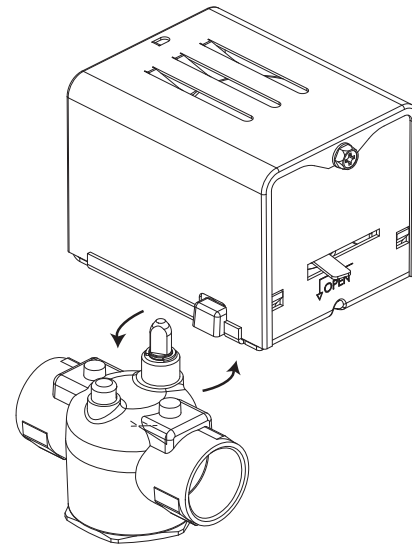
- Direct replacement for all existing two-position PopTop applications
- Hysteresis synchronous motor for long life
- Spring return operation provides a fail-safe
- Valve body rated for 400 psi static pressure
- Available in a variety of voltages
- Actuator mounts directly onto valve body without need for linkages or calibration
- Manual override lever (normally closed only)
- Actuator can be replaced without any tools, or removal of valve from system
- VS Series available for low pressure steam

### Applicable Literature

EN-205 Water and Steam System Guidelines,  
F-26080-1.



**VT/VS Series with  
General Close-Off Actuator**



**VT/VS Series with  
High Close-Off Actuator**

## SPECIFICATIONS

### Valve Body Assembly

**Service** Hot and chilled water models, up to 50% glycol. Steam models up to 15 psi (both valve body and valve actuator must be rated for high temperature).

**System Static Pressure Limits** 400 psi (2758 kPa).

**Close-off** Refer to Table-2.

**Fluid/Ambient Temperature Limits** Refer to Table-1.

**Seat Leakage** ANSI class IV (0.01%) with pressure at inlet (B-port/A-port, if 3-way).

**Body** Forged brass.

**Stem** Nickel-plated.

**Seat** Brass.

**Paddle (VT series)** Buna N.

**Paddle (VS series)** Highly saturated nitrile.

### Actuator

**Voltage** 24 Vac @ 50/60 Hz. 110 Vac @ 50 Hz. and 120 Vac @ 60 Hz., 230 Vac @ 50 Hz. and 240 Vac @ 60 Hz., 208 Vac @ 50/60 Hz., 277 Vac @ 50/60 Hz.

**Power Requirements** 6.5 watts, 7.5 Va.

**End Switch** 24 - 240 Vac Models: 24 - 240 Vac/101 mA min. to 5A max, and 9 - 30 Vdc @ 100 mA max.

277 Vac Models: 277 Vac/101 mA min. to 5A max.

**Control Signal** On/off, 2 position, spring return.

**Timing, Full Open to Full Close** 25 Sec max for 60 Hz; 30 Sec max for 50 Hz; and 9 Sec max spring return.

**Materials** Stainless steel base plate, aluminum cover.

**Ambient Temperature Limits:**

**Shipping & Storage**, -40 to 160 °F (-40 to 71°C).

**Operating**, Refer to Table-1.

**Humidity** 5 to 95% relative humidity, non-condensing.

**Agency Listings** *UL873*: Underwriters laboratories (File #E9429 Category Temperature Indicating and Regulating Equipment). *CUL*: UL Listed for use in Canada by Underwriters Laboratory. Canadian Standards C22.2 No. 24. *European Community*: EMC Directive (89/336/EEC). Low Voltage Directive (72/23/EEC). *Australia*: This product meets requirements to bear the C-Tick Mark according to the terms specified by the Communications Authority under the Radio Communications Act of 1992.

**Shipping Weight (Actuator/Valve Assembly)** 2.25 lbs (1020 g).

**Table-1 Valve Body and Actuators Model Chart**

Model	Temperature Range
VTXXXX	32° to 200 °F (fluid) @ 104 °F (Ambient) (0 to 93 °C @ 40 °C)
VSXXXX	32° to 250 °F (fluid) @ 169 °F (Ambient) (0 to 121 °C @ 76 °C), and/or 15 PSI (103 kPa) Steam <sup>a</sup>
AXX3XXX	32° to 200 °F (fluid) @ 104 °F (Ambient) (0 to 93 °C @ 40 °C)
AXX4XXX	32° to 250 °F (fluid) @ 169 °F (Ambient) (0 to 121 °C @ 76 °C), and/or 15 PSI (103 kPa) Steam <sup>a</sup>

a: For steam applications both valve body and valve actuator must be rated for high temperature.

Example: VS2213G14A020 = Assembly. VS2213 = Valve body. AG14A020 = Actuator.

### Accessories for Inverted Flare Connection Valves

**3/4" inverted flare bodies accept the following adapters to copper pipe:**

- 436-214-1 Union nut & elbow assembly, female for 1/2" (5/8" O.D.) copper, 15/16" long
- 436-220 Union nut & coupling assembly, female for 1/2" (5/8" O.D.) copper, 1-1/16" long
- 436-252 Union nut & coupling assembly, female for 3/4" (7/8" O.D.) copper, 1-27/32" long
- 436-229-3 Union nut & nipple assembly, male for 1/2" (5/8" O.D.) copper, 3" long
- 436-214-4 Union nut & elbow assembly, male for 1/2" (5/8" O.D.) copper, 1-15/16" long
- 436-256 Union nut & coupling assembly, female for 1" (1-1/8" O.D.) copper, 1-3/8" long

**Table-2 Flow Coefficients & Maximum Close-Off Pressure Differential**

Valve Size	Connection Type	2-way Cv (kv)	3-way Cv (kv)	(G)* Close-Off ΔP PSI (kPa)	(H)† PSI Close-Off ΔP (kPa)
1/2"	NPT, SW, Rp, SAE	1.0 (0.9)	1.5 (30)	60 (414)	75 (517)
3/4"	IFL				
1/2"	NPT, SW, Rp, SAE	2.5 (2.2)	3.0 (2.6)	40 (276)	50 (344)
3/4"	NPT, SW, IFL, Rp				
1/2"	NPT, SW, SAE, Rp	3.5 (3.0)	4.0 (3.4)	25 (172)	30 (208)
3/4"	NPT, SW, IFL, Rp				
1"	SW				
3/4"	NPT, SW, Rp	5.0 (4.3)	5.0 (4.3)	20 (137)	25 (172)
1"	SW				
3/4"	NPT, SW, Rp	7.5 (6.5)	7.5 (6.5)	17 (117)	20 (137)
1"	NPT, SW, Rp	8.0 (6.9)	8.0 (6.9)	17 (117)	20 (137)
1-1/4"	SW				

**Valve Body Legend**

- NPT — Threaded (female)
- SW — Sweat
- IFL — Inverted Flare
- SAE — Society Automotive Engineers Flare (male)
- Rp — "Metric" Threaded (female)

\* G = General close off actuator

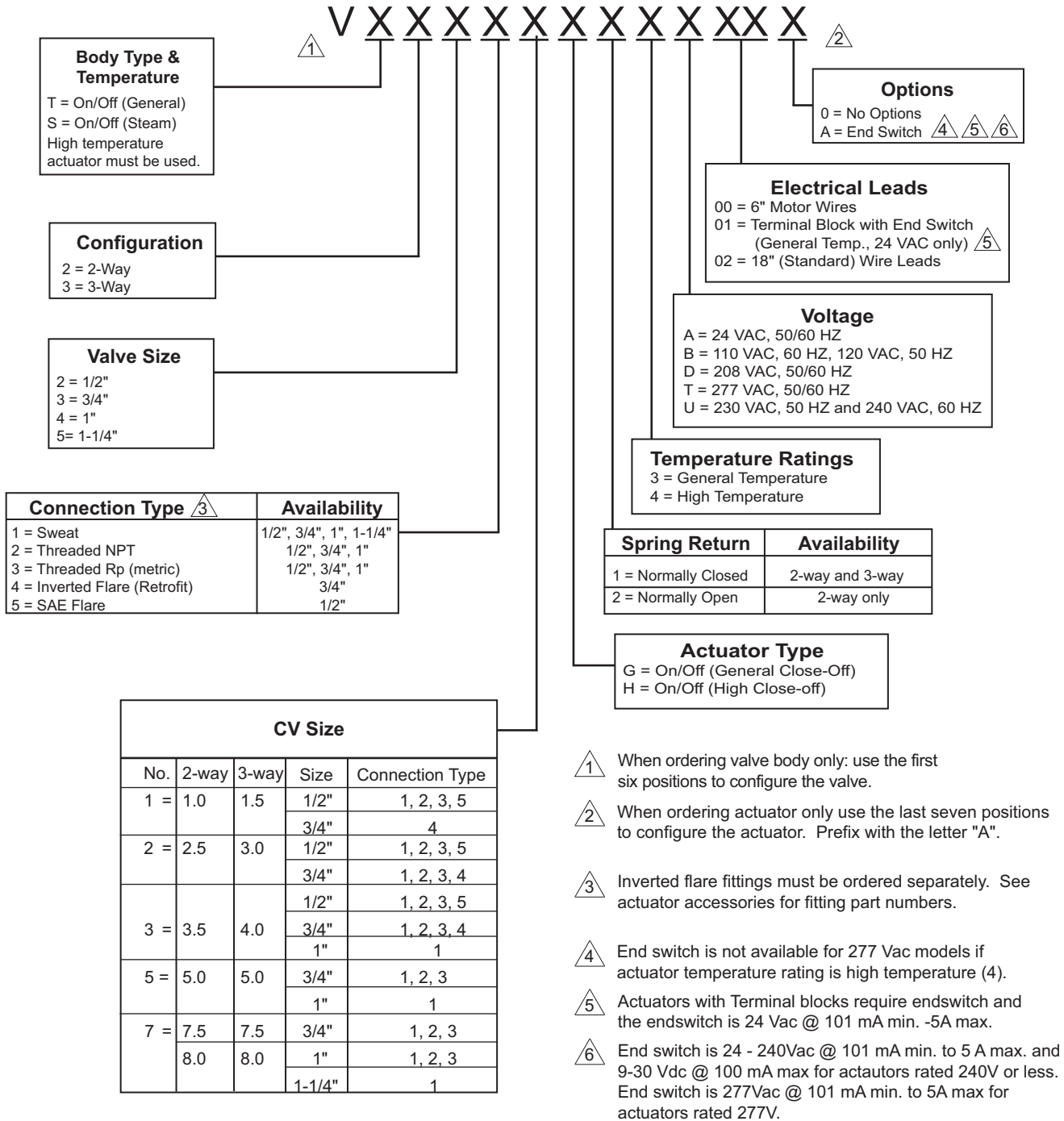
† H = High close off actuator

**Table-3 Water Valve Sizing Table\***

	ΔP	1.0 Cv	1.5 Cv	2.5 Cv	3.0 Cv	3.5 Cv	4.0 Cv	5.0 Cv	7.5 Cv	8.0 Cv
<b>Differential Pressure, ΔP</b>	<b>1 PSI</b>	1.0	1.5	2.5	3.0	3.5	4.0	5.0	7.5	8.0
	<b>2 PSI</b>	1.4	2.1	3.5	4.2	4.9	5.7	7.1	10.6	11.3
	<b>3 PSI</b>	1.7	2.6	4.3	5.2	6.1	6.9	8.7	13.0	13.9
	<b>4 PSI</b>	2.0	3.0	5.0	6.0	7.0	8.0	10.0	15.0	16.0
	<b>5 PSI</b>	2.2	3.4	5.6	6.7	7.8	8.9	11.2	16.8	17.9

\* Water capacity in gallons per minute (GPM).

## Part Numbering System Two Position Zone Valves, Spring Return Actuators



- <sup>1</sup> When ordering valve body only: use the first six positions to configure the valve.
- <sup>2</sup> When ordering actuator only use the last seven positions to configure the actuator. Prefix with the letter "A".
- <sup>3</sup> Inverted flare fittings must be ordered separately. See actuator accessories for fitting part numbers.
- <sup>4</sup> End switch is not available for 277 Vac models if actuator temperature rating is high temperature (4).
- <sup>5</sup> Actuators with Terminal blocks require endswitch and the endswitch is 24 Vac @ 101 mA min. -5A max.
- <sup>6</sup> End switch is 24 - 240Vac @ 101 mA min. to 5 A max. and 9-30 Vdc @ 100 mA max for actuators rated 240V or less. End switch is 277Vac @ 101 mA min. to 5A max for actuators rated 277V.

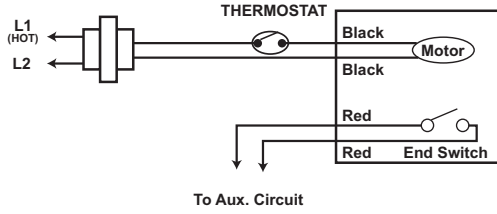
### Body & Actuator Combination Requirements

Temperature Configurations	
<b>Body Configuration</b> V I X X X X T = General S = Steam If body configuration is T, actuator temp rating can be 3 or 4. If body configuration is S, actuator temp rating must be 4.	<b>Actuator Spring Return Mode</b> A X X 3 X X X X 3 = General Temperature 4 = High Temperature If actuator temp rating is 3, body style must be T. If actuator temp rating is 4, body style can be S or T.

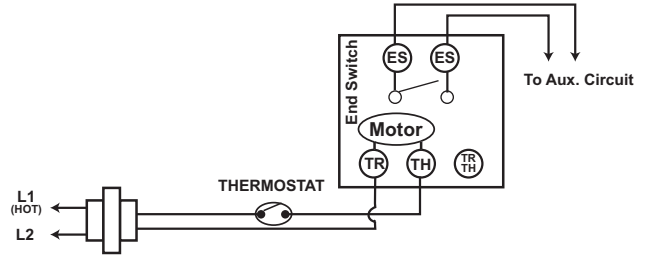
Example:  
 Assembly: VT2213G13A020. Components: VT2213 = Body. AG13A020= Actuator.  
 The actuator part number is prefixed with the letter "A".

# TYPICAL APPLICATION (wiring diagram)

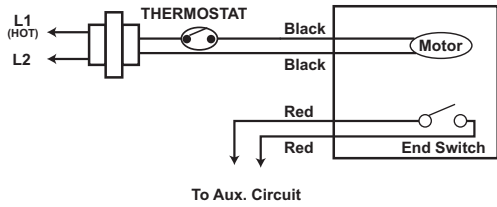
## Honeywell - Wire Leads



## Honeywell - Terminal Block



## Erie Wire Leads



## Erie Terminal Block

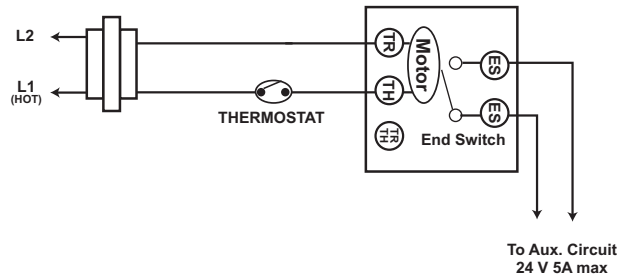
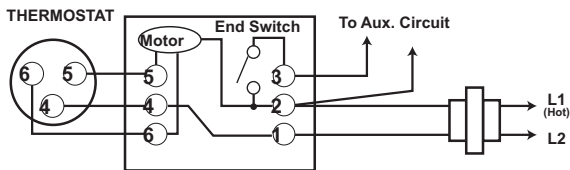
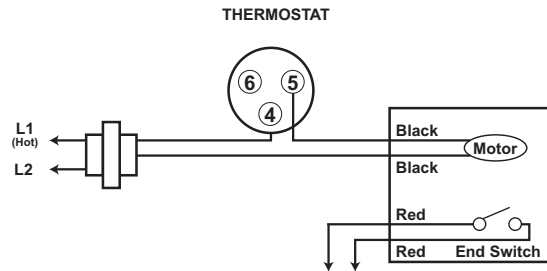


Figure-1 Typical Wiring of a PopTop to Replace a Honeywell Valve

## White - Rodgers (1311 or 1321)



## Erie Wire Leads



## Erie Terminal Block

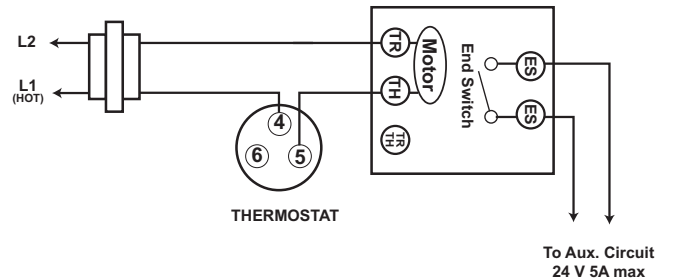
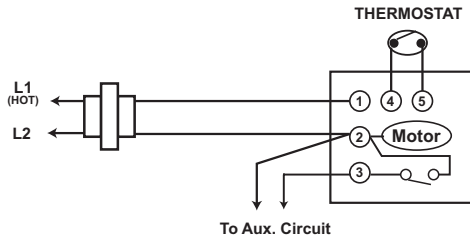
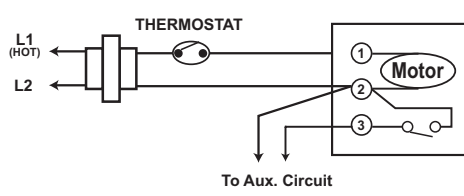


Figure-2 Typical Wiring of a PopTop to Replace a Flair or White-Rodgers 3-Wire Valve

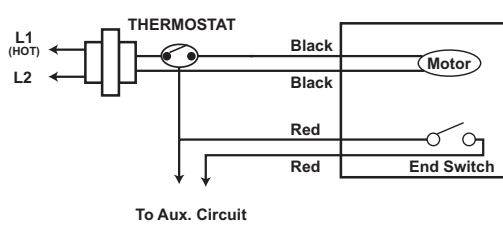
**Flair - Terminal Block**



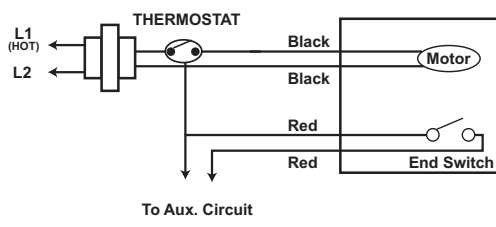
**Taco - Terminal Block**



**Erie Wire Leads**



**Erie Wire Leads**



**Erie Terminal Block**

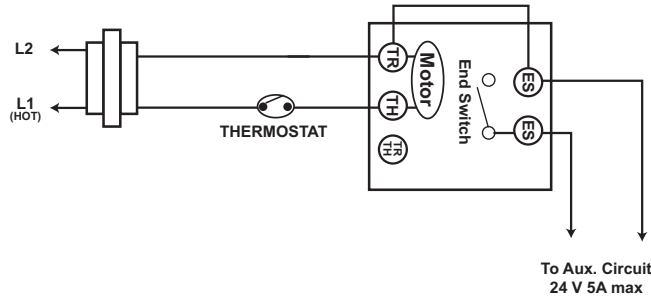


Figure-3 Typical Wiring of a PopTop to Replace a Flair or Taco 3-Wire Valve

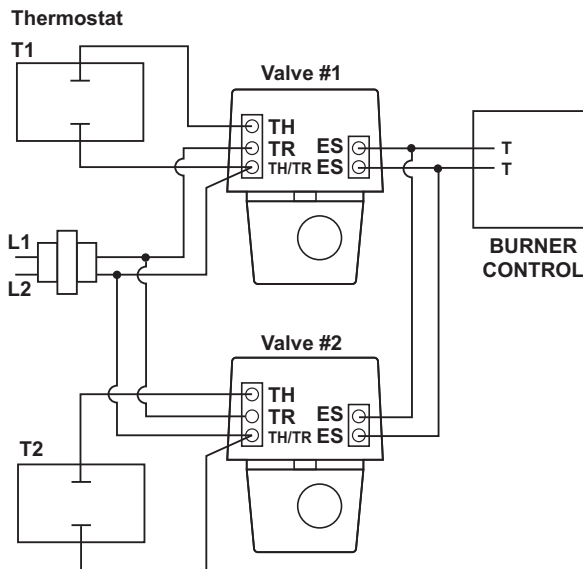


Figure-4 Typical Multiple Valve Wiring

# INSTALLATION

## Inspection

Inspect the package for damage. If package is damaged, notify the appropriate carrier immediately. If undamaged, open the package and inspect the device for obvious damage.

Return damaged products.

## Requirements

- Tools (not provided)
  - Wrench 1 to 1-5/8" (if threaded valve)
  - Soldering equipment (if sweat fit) or flare
- Training: Installer must be a qualified, experienced technician
- Other accessories as appropriate

## Precautions

### General

#### ▼ **WARNING**

---

- Electrical shock hazard! Disconnect power before installation to prevent electrical shock or equipment damage.
  - Make all connections in accordance with the electrical wiring diagram and in accordance with national and local electrical codes. *Use copper conductors only.*
  - All conductors shall be provided with insulation rated for the highest voltage motor and end switch circuits.
- 

#### ▼ **CAUTION**

---

- Avoid locations where excessive moisture, corrosive fumes, explosive vapors, or vibration are present.
  - Avoid electrical noise interference. Do not install near large conductors, electrical machinery, or welding equipment.
  - When making lead connections within the actuator, use caution not to put leads or connectors below the motor.
- 

### Federal Communications Commission (FCC)

#### **NOTE**

---

This equipment has been tested and found to comply with the limits for a Class B digital device, pursuant to Part 15 of the FCC Rules. These limits are designed to provide reasonable protection against harmful interference in residential installations. This equipment generates, uses, and can radiate radio frequency energy and may cause harmful interference if not installed and used in accordance with the instructions. Even when instructions are followed, there is no guarantee that interference will not occur in a particular installation. If this equipment causes harmful interference to radio and television reception—which can be determined by turning the equipment off and on—the user is encouraged to try to correct the interference by one or more of the following measures:

- Reorient or relocate the receiving antenna.
  - Increase the separation between the equipment and receiver.
  - Connect the equipment to an outlet on a circuit different from that to which the receiver is connected.
  - Consult the dealer or an experienced radio/television technician for help.
- 

### Canadian Department of Communications (DOC)

#### **NOTE**

---

This class B digital apparatus meets all requirements of the Canadian Interference-Causing Equipment Regulations.

---

### European Standard EN 55022

#### ▼ **WARNING**

---

This is a class B (European Classification) product. In a domestic environment this product may cause radio interference in which case the user may be required to take adequate measures.

---

## Mounting

The valves can be mounted in horizontal or vertical piping. When installed in horizontal piping, the actuator must be above the valve body. Refer to Figure-5. When installed in horizontal piping the actuator can be tilted left or right but it must not be tilted below 85° from vertical.

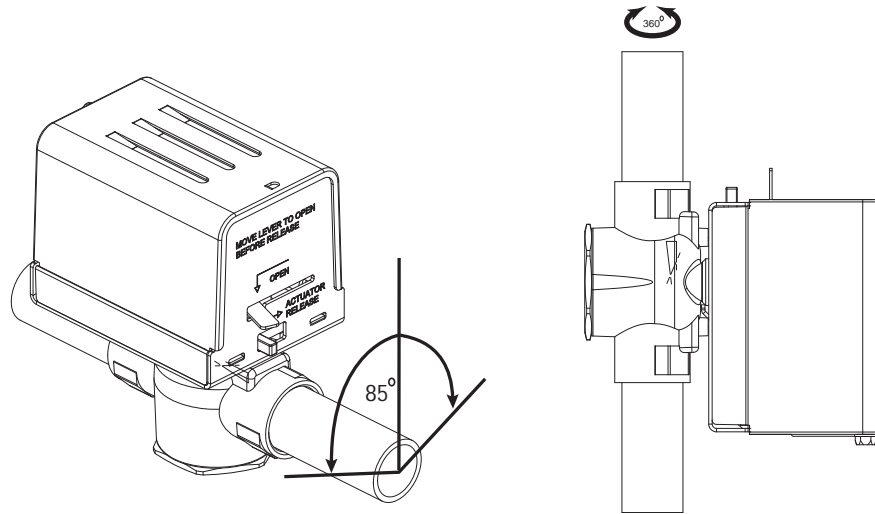


Figure-5 Mounting Position

---

### NOTE

- Make certain there is no overhead water source that may drip onto valve actuator.
  - In normal service, some condensation may occur on or around the valve. A drip pan may be necessary or the valve body may be insulated.
- 

## Piping

These valves must be piped so the paddle closes against the direction of flow. Flow is from B to A. Refer to Figure-6a to Figure-6f. When installing the actuator to a normally closed valve, the actuator must be placed in the manually open position by using the manual operating lever. The first time the valve is operated electrically, the manual operating lever of the actuator will transfer to the automatic position. The manual operating lever can be used to allow flushing of the system after installation. The valves are designed for application in closed hydronic heating and cooling systems. High levels of dissolved oxygen and chlorine found in open systems may attack the valve materials and result in premature failure. Install over a drip pan if condensation in chilled water applications occurs.

---

### ▼ CAUTION

Use in systems which have substantial make-up water (open systems) is not recommended. Follow proper water treatment practices and system procedures. Refer to document F-26080-1 for Water and Steam EN205 Guidelines.

---

### NOTE

- Three-way valves always require a normally closed actuator.
  - Three-way valves are always closed at the B port when no power is applied to the motor.
  - On power-up the valve closes to A port on three-way valves.
  - Orient the three-way valve body as needed for normally open or normally closed flow through coil.
-



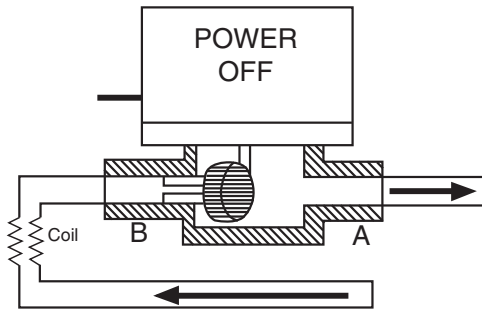


Figure-6a 2-Way Valve With Normally Closed Actuator

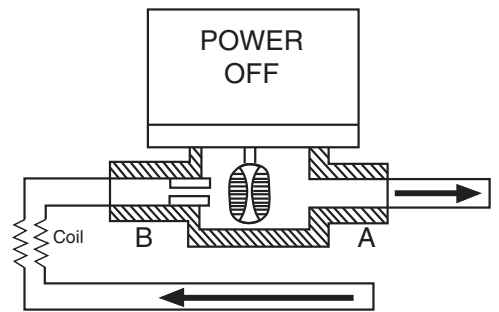


Figure-6b 2-Way Valve With Normally Open Actuator

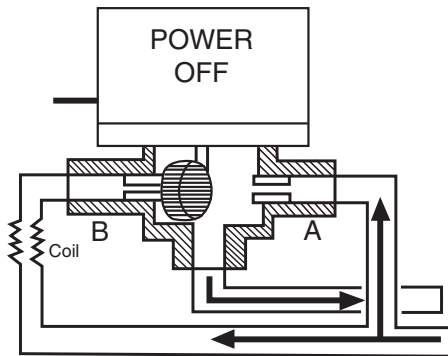


Figure-6c 3-Way Valve in Mixing Configuration Normally Closed to the Coil

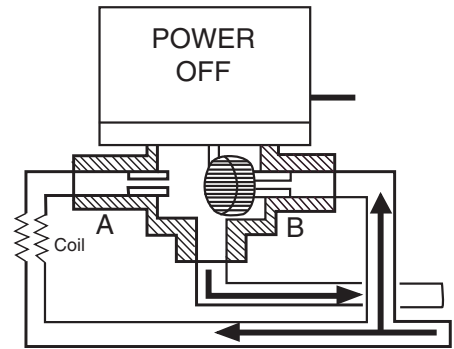


Figure-6d 3-Way Valve in Mixing Configuration Normally Open to the Coil

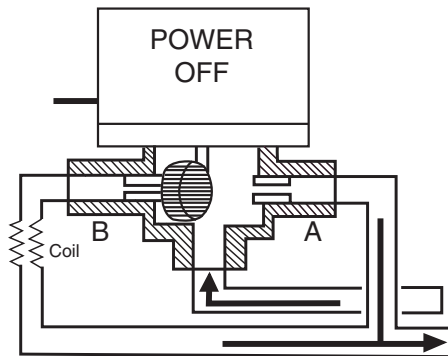


Figure-6e 3-Way Valve in Diverting Configuration Normally Closed to the Coil

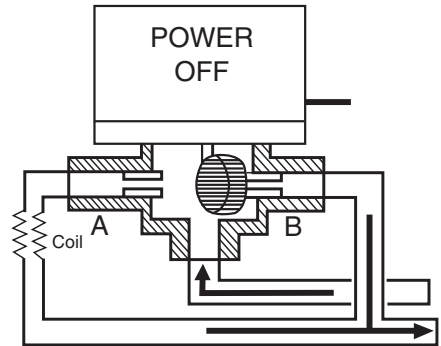


Figure-6f 3-Way Valve in Diverting Configuration Normally Open to the Coil

**NOTE**

Three-way N.O. applications can be achieved when using a N.C. actuator, by piping the valve in reverse. The three-way examples show normally closed actuators.

**Sweat Connections**

▼ **CAUTION**

Do not solder with actuator in place, or with paddle against seat, as the heat can damage the unit. Before soldering, move the manual open lever into Open position then remove the actuator from the body. Orient paddle so it is not against a seat.

Use lead or tin based solder with melting point below 600 °F. Do not overheat. Direct flame tip away from valve. Cool valve quickly with a wet cloth. Body assembly can be submerged for leak testing prior to attaching the actuator.

**Threaded Connection**

Apply Teflon tape to all but the last two threads of male pipe thread. Hand screw the pipe into the valve, turning it as far as it will go. Use a wrench to fully tighten the valve to the pipe. Do not over tighten or strip the threads.

## Inverted Flare Union Connection

Solder fittings onto pipe. Use solder with melting point below 600 °F. Mount valve to union nuts.

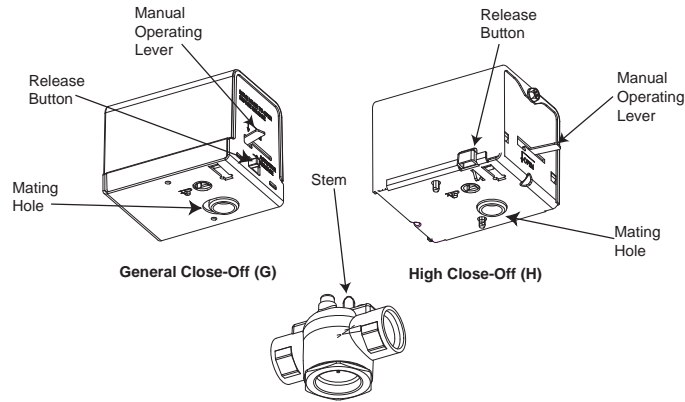


Figure-7 PopTop Installation

## Installing Actuator on Valve Body

Slowly latch the manual operating lever in the open, engaged position (AG1 or AH1 only). Depress the release button (see Figure-7). Align the body with the actuator to ensure the stem is inserted into the large mating hole on the bottom side of the actuator. Engage the actuator on the body and release the button.

### ▼ CAUTION

Do not use the valve body to manually open the actuator as damage to the valve actuator will result.

## CHECKOUT

1. Make sure the valve stem rotates freely before and after installing the actuator.
2. If the stem does not operate freely it may indicate that the stem was damaged and may require that the valve be repaired or replaced.
3. After the piping is under pressure, check the valve body and the connections for leaks.
4. After the valve and actuator are installed, power the actuator and check the operation.

## THEORY OF OPERATION

PopTop Series are two position spring return valves. When powered, the actuator moves to the desired position, tensing the spring return system. When power is removed the actuator returns to the normal position.

PopTop Series two position spring return valves can be purchased with an optional built-in auxiliary SPDT end switch for interfacing or signaling; for example, zone pump burner control.

## MAINTENANCE

PopTop Series two position spring return valves are maintenance free. Replace defective modules. Actuator may be replaced without removing the valve. Regular maintenance of the total system is recommended to assure sustained, optimum performance.

## FIELD REPAIR

Replace any damaged or failed components with complete replacement unit.

## DIMENSIONAL DATA

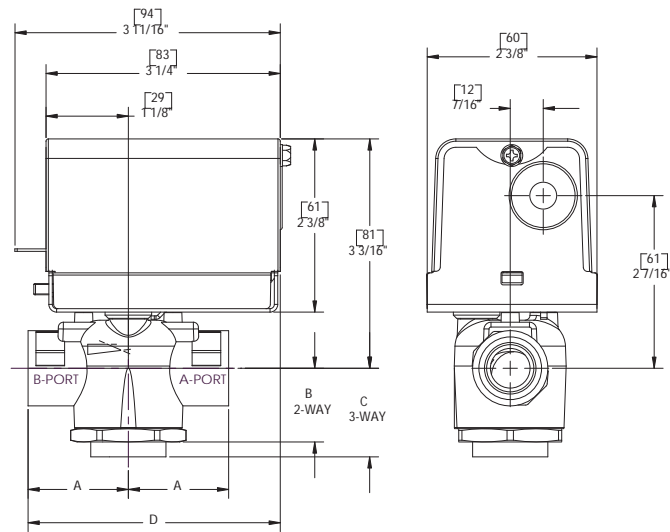


Figure-8 VT/VS Series General Close-Off

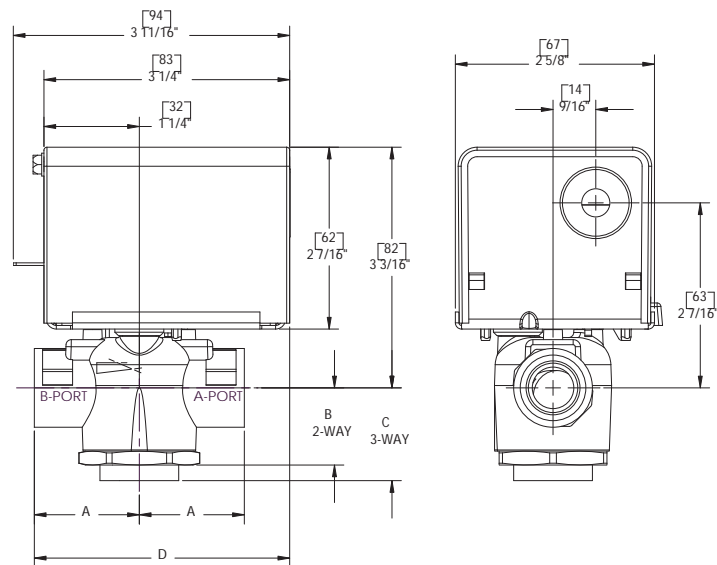


Figure-9 VT/VS Series High Close-Off

Table-4 Dimensions - inches (mm)

Valve Body Size	A	B	C	D (General Close-Off)	D (High Close-Off)
1/2" Sweat	1-5/16 (33)	15/16 (23)	1-5/16 (33)	3-5/16 (84)	3-5/8 (92)
3/4" Sweat	1-3/8 (35)	15/16 (23)	1-11/16 (43)	3-3/8 (86)	3-3/4 (95)
1" Sweat	1-11/16 (43)	15/16 (23)	1-11/16 (43)	3-5/8 (92)	4 (102)
1-1/4" Sweat	1-7/8 (47)	1 (25)	1-13/16 (46)	3-11/16 (94)	4-1/8 (105)
1/2" NPT, Rp	1-3/8 (35)	15/16 (23)	1-5/16 (33)	3-3/8 (86)	3-5/8 (92)
3/4" NPT, Rp	1-11/16 (43)	15/16 (23)	1-7/16 (37)	3-5/8 (92)	4 (102)
1" NPT, Rp	1-7/8 (47)	1 (25)	1-11/16 (43)	3-11/16 (94)	4-1/8 (105)
Inverted Flare	See Figure-11			4-3/16 (106)	4-7/16 (113)
SAE Flare	See Figure-10				

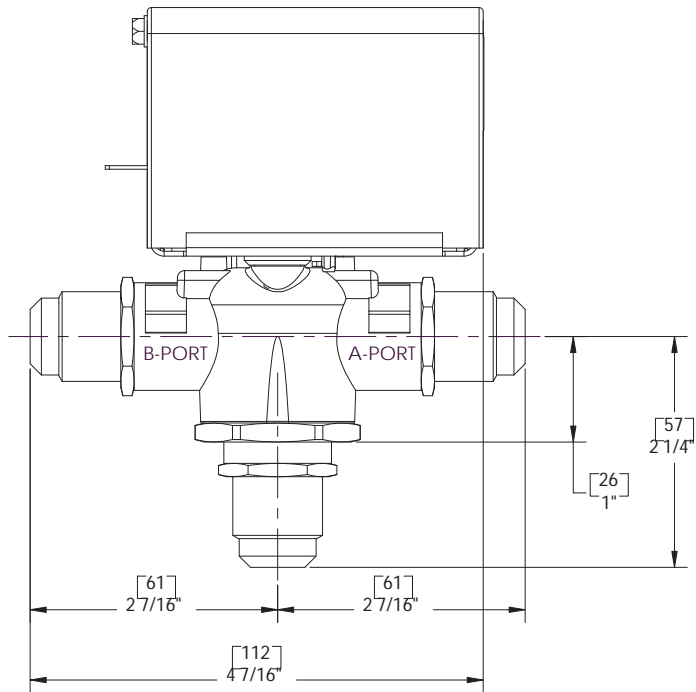


Figure-10 SAE - High Close-Off Style Actuator Shown

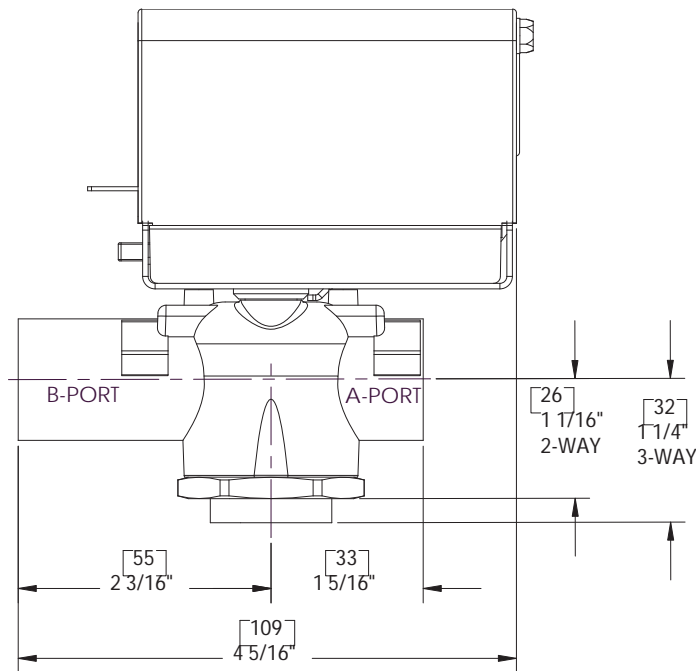


Figure-11 Inverted Flare - General Close-Off Style Actuator Shown