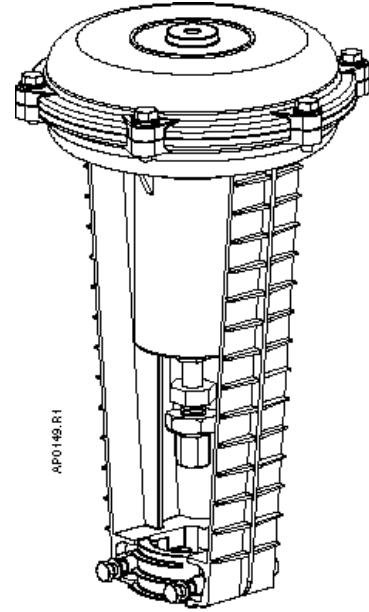


Flowrite™ AP 599 Series 8-inch Pneumatic Valve Actuator



Description The Flowrite AP 599 Series 8-inch pneumatic valve actuator is designed for use with the Flowrite VF 599 Series valves with a 3/4-inch (20 mm) stroke. This actuator is available with two diaphragm options.

- Features**
- Completely enclosed actuator housing protects the diaphragm, spring, and start point adjuster.
 - Positioning relay is available factory mounted or as an accessory.
 - Start point of the actuator spring is adjustable. This allows the valve to be sequenced.
 - Easy installation.



Application These 8-inch actuators are designed to be used on Flowrite VF 599 Series valves in liquid service and steam service applications.

Product Numbers

Table 1.

Product Numbers	Actuator Codes	
	8-inch Pneumatic	8-inch Pneumatic with Factory Mounted Positioner
599-01050 Normal Duty	277	283
599-01051 High Temperature	278	284

Warning/Caution Notations

WARNING:		Personal injury/loss of life may occur if a procedure is not performed as specified.
CAUTION:		Equipment damage, or loss of data may occur if the user does not follow a procedure as specified.

Specifications	Effective diaphragm area	28 inches ² (180 cm ²)
Operating Temperatures	Normal duty service – media temperatures 25°F to 300°F (–4°C to 149°C)	Buna-N
	High temperature service – media temperatures 25°F to 366°F (–4°C to 186°C)	Silicone rubber
	Ambient operating and storage temperature	35°F to 180°F (2°C to 85°C)
Operating	Nominal spring range	
	Fixed span	
	Normal duty service	5 psi (34 kPa)
	High temperature service	10 psi (68 kPa)
	Adjustable start point	3 to 10 psi (21 to 69 kPa)
	Factory setting	3 to 8 psig (21 to 55 kPa) NO valves 10 to 15 psig (69 to 103 kPa) NC valves
	Nominal stroke	3/4-inch (20 mm)
Maximum diaphragm pressure	35 psi (241 kPa)	
Air Connection	1/8-inch NPT	
Miscellaneous	Mounting location	NEMA 1 (interior only)
	Dimensions	14-1/8-in H x 8-3/4-in diameter (359 mm H x 222 mm diameter)
	Shipping weight	8.7 lbs. (4 kg)
Accessories	Packing Heater Kit	599-00418
	Positioning Relay and Mounting Kit	599-00426
	Instructions for mounting are included with the accessory.	
	Spring Clamp (secures 1/4-inch O.D. polytubing to barb-fitting at higher control pressures or elevated temperatures)	531-833
Service Kits	Diaphragm replacement kit (package of one)	
	Normal duty	599-01060
	High temperature service	599-01061
	Stem adapter kit for 8-inch Pneumatic Actuator	599-00435
	Stem retainer kit	599-10048
	Actuator Retainer Kit	599-00436

Operation

The control air signal upon the diaphragm causes the valve to modulate whenever the air pressure is within the spring range of the actuator. The actuator spring provides the necessary force to hold the stem in the stem up (direct acting) position.

Mounting and Installation

Allow 12 inches (300 mm) headroom and six inches (150 mm) on either side for servicing the actuator.

For best performance install the actuator vertically above the valve. The actuator may be installed in any position between vertical and horizontal. Siemens Building Technologies does not recommend installing the actuator below horizontal or up side down. See *Figure 1* for allowable mounting positions.

Complete instructions for field mounting the actuator are included with the actuator.

The top edge of the stem nut indicates the valve stem position. The “0” marking on the actuator yoke indicates stem up position. The “1” mark indicates stem down position. See *Figure 2*.

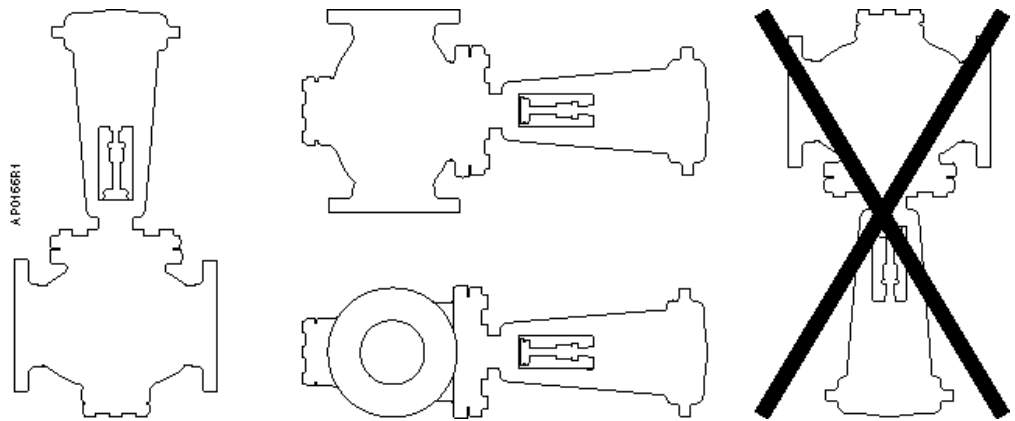


Figure 1. Acceptable Mounting Positions.

Service

Complete instructions are included in the diaphragm replacement kit.

Diaphragm Replacement



WARNING:

Relieve spring tension before removing the actuator upper housing.

Spring Adjustment

With the actuator in an upright position and the stem visible as shown in *Figure 2*, use a 3/4-inch (.75 mm) open end wrench to turn the adjustment screw.

- Normally Open Valves: To increase the start to close pressure, turn the adjustment screw from right to left. To decrease, turn the adjustment screw from left to right.
- Normally Closed Valves: To increase the start to open pressure, turn the adjustment screw from right to left. To decrease, turn the adjustment screw from left to right.

NOTE: As the line pressure differential across the valve increases, the spring span decreases.

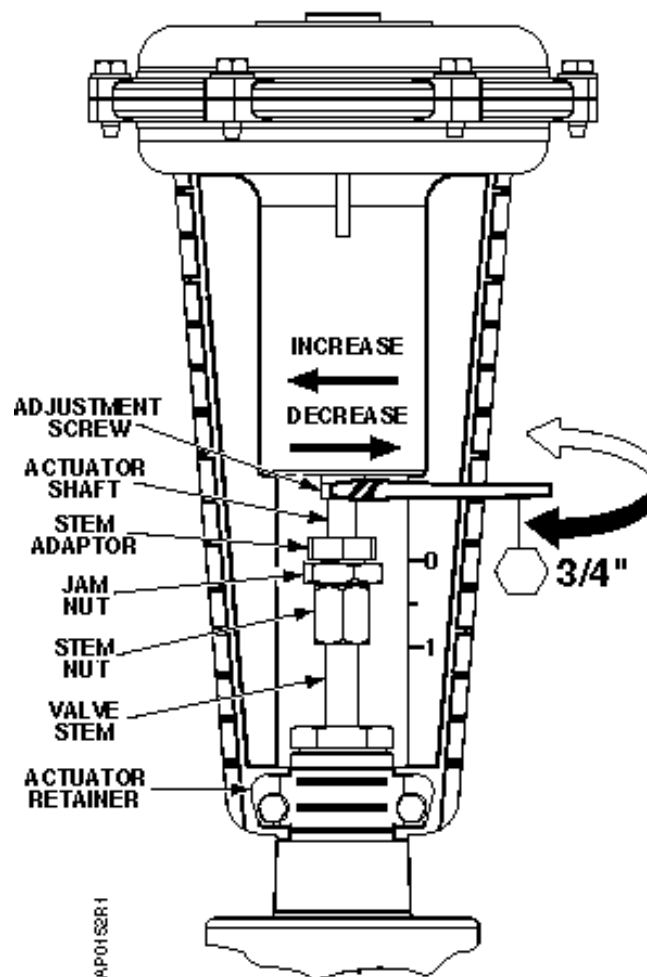


Figure 2. Spring Adjustment.

Parts of the 8-inch Actuator

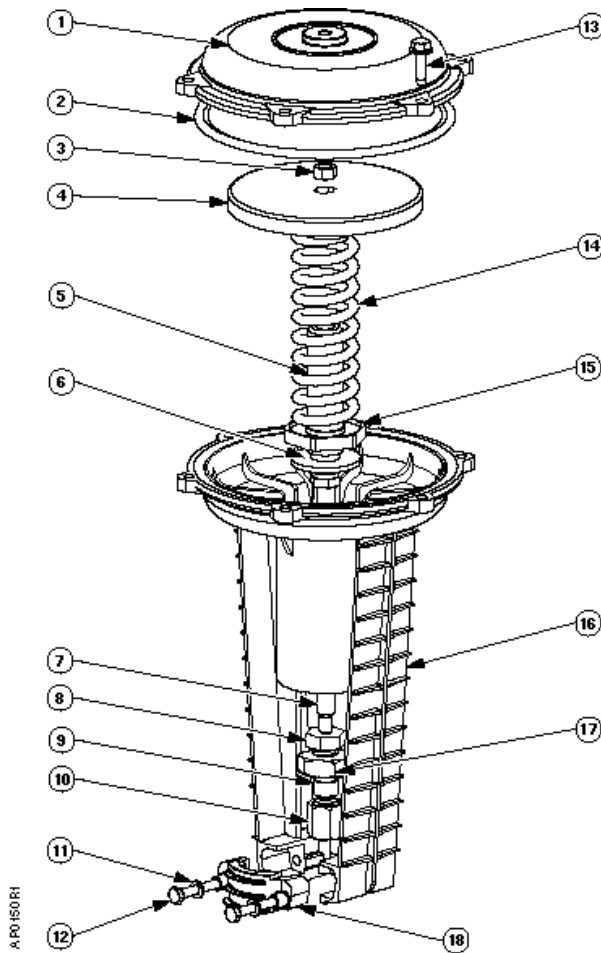


Figure 3. Flowrite AP 599 Series 8-inch Pneumatic Valve.

Item	Description	Q'ty	Material	Item	Description	Q'ty	Material
1	Upper housing	1	Aluminum	11	1/4-20 external tooth lock washer	2	Plated Steel
2	Diaphragm (Normal duty) (High temperature)	1	Neoprene silicone	12	1/4-20 hex head cap screw	2	Plated Steel
3	3/8 x 24 hex nut	1	Plated steel	13	5/16-18 thread forming screws	6	Plated Steel
4	Piston plate	1	Aluminum	14	Spring	1	Chrome Van. Steel
5	Adjust. Screw Ass'y	1	Steel and bronze	15	Spring seat	1	Carbon Steel
6	Thrust washer	1	Carbon steel	16	Lower housing	1	Aluminum
7	Actuator shaft	1	Plated steel	17	Jam nut	1	Plated Steel
8	Stem adapter	1	Plated steel	18	Actuator retainer	1	Aluminum
9	Stem retainer clip	1	Stainless steel	Diaphragm replacement kit			Item 2
10	Stem nut	1	Stainless steel	Normal duty			599-01060
				High temperature			599-01061
				Stem retainer kit (One each of items 9 and 10)			599-10048
				Stem adapter kit (items 8,9,10, and 17)			599-00435
				Actuator retainer kit (items 11, 12, and 18)			599-00436

Dimensions

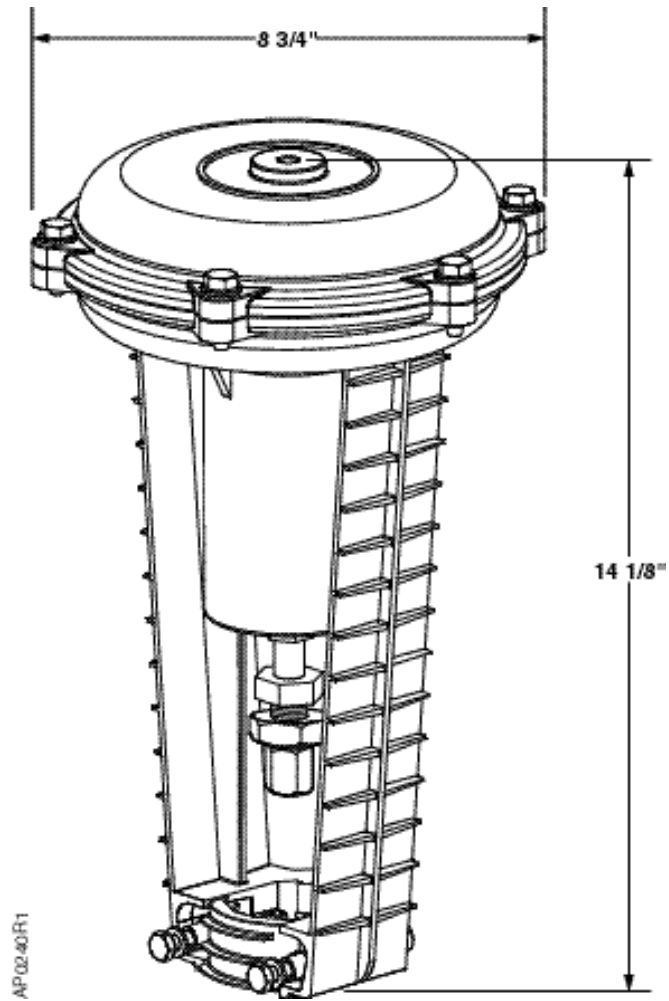


Figure 4. Dimensions in Inches (Millimeters).

Information in this publication is based on current specifications. The company reserves the right to make changes in specifications and models as design improvements are introduced. Flowrite is a registered trademark of Siemens Industry, Inc. Products or company names mentioned herein may be the trademarks of their respective owners.
© 2008 Siemens Industry, Inc.