



Enclosed Victory Relays: 10A SPST with HOA Switches

Victory 101, 102, & 103 Series



Cover conceals HOA switch



V101/
V201



V101D/
V201D



V102/
V202

Relays With HOA Switches For Local Control

FEATURES

- Sleek field enclosure reduces the need for panel space
- The nipple mount feature allows the Victory series to be mounted to any electrical enclosure easing installation
- Flexible tinned stranded wire...fits easily in tight spaces and provides secure connections to wire nuts
- UL508 Listed...designed and approved for field installation... makes electrical inspection a snap
- Concealed HOA switch reduces the likelihood of tampering
- Reduce costly control system override and service calls
- The HOA monitors (available with the V102/V202 & V103/V203 models) allow the control system to notify building operating personnel when a load is inadvertently left in ON or OFF position.

DESCRIPTION

With a concealed HOA switch for local control and troubleshooting, the **Victory 101, 102, and 103 Series** relays provide HOA flexibility while limiting unauthorized switch manipulation. To further guard against control system override, some relays are equipped with a monitored HOA. The V102/V202 provide a two-wire resistive output and the V103/V203 offer a three-wire digital monitor. Now your customers and technicians can enjoy the benefit of local control without the problems often caused by override.

SPECIFICATIONS



Operating Temp Range	-40° to 55°C (-40° to 131°F)
Operating Humidity Range	10-90% RH non-condensing
Expected Relay Life	Electrical (@ rated current) 100,000 cycles; Mechanical (unpowered) 10,000,000 cycles
Relay Status	LED ON=energized
Insulation Class	600VAC RMS
Agency Approvals	UL 508
WIRE SPECIFICATIONS	
Lead Length	14" (356 mm) min.
Gauge	UL1015; Coil: 18 AWG; Contacts: 16 AWG; HOA monitor wires: 16 AWG
V102/V202 RESISTIVE MONITOR MAXIMUMS	
Voltage Max.	13.4VAC/DC
Current Max.	4mA AC/DC
V103/203 DIGITAL MONITOR MAXIMUMS	
Dry Circuit Contact Rating (Max.)	24VAC/DC@100mA

TYPICAL COIL PERFORMANCE

Pull in Voltage	AC	DC
	10-30V.....	8
120V.....	78	
208-277V.....	154	
Drop Out Voltage	AC	DC
	10-30V.....	2
120V.....	18	
208-277V.....	36	
Voltage	Coil Current	
	AC	DC
10V.....	25mA	14mA
24V.....	31mA	16mA
30V.....	39mA	18mA
120V.....	22mA	-
208V.....	19mA	-
277V.....	25mA	-

CONTACT RATINGS

V101, V201, V101D*, V201D*	
Resistive.....	10A@250VAC
Motor.....	1/3HP@120VAC
Gold Flash.....	Yes
V102, V103, V202, V203	
Resistive.....	10A@277VAC
Motor.....	1/3HP@240VAC
Gold Flash.....	Yes

*each relay

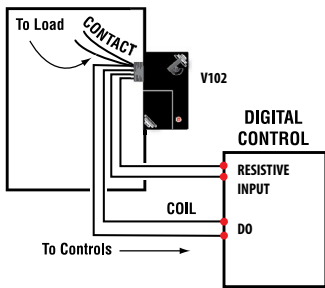
APPLICATIONS

- Command contactors
- Control motors
- Isolation
- Device interlocking
- Relay logic
- Sense voltages for alarm conditions

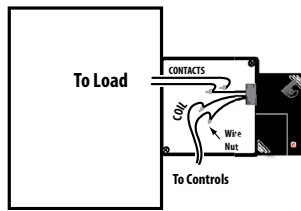


WIRING DIAGRAM

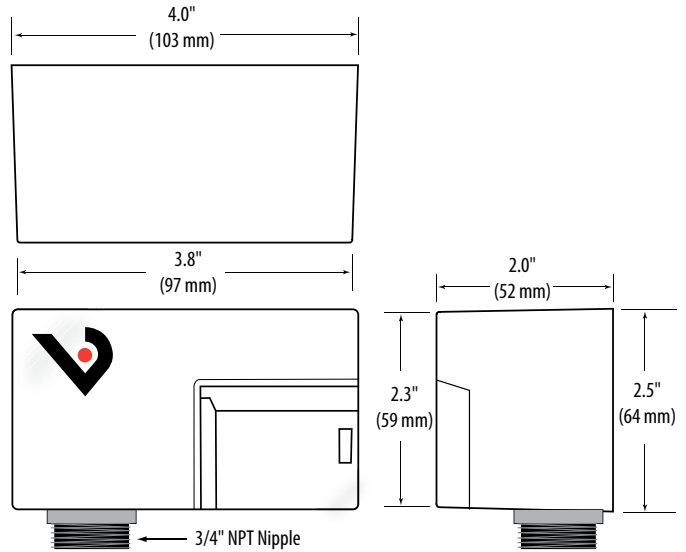
Nipple mount directly to a panel



Nipple mount to any 2x or 4x electrical box



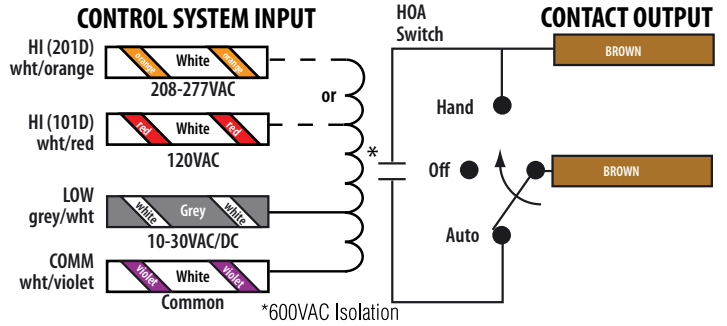
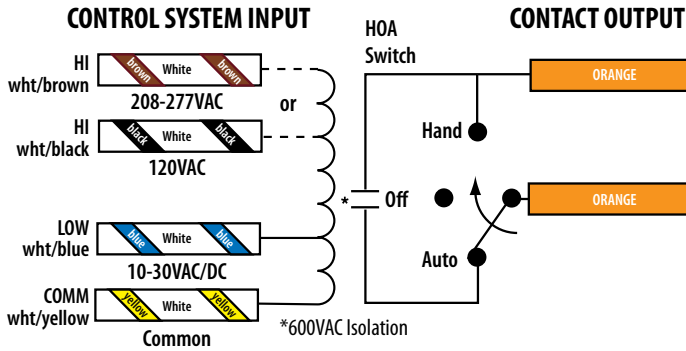
DIMENSIONAL DRAWING



WIRE COLOR CODES

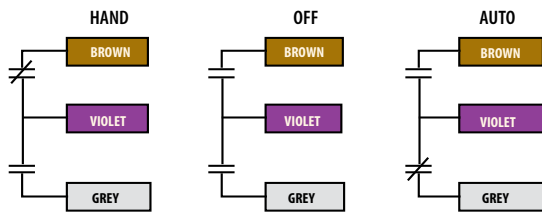
Primary

Relay #2 for V101D/V201D only



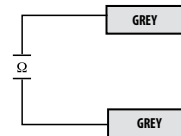
V103/203 Digital HOA Position Monitor

V102/202 Resistive HOA Position Monitor



Switch Positions:
HAND = Brown wire closed to Common
OFF = Both wires open to Common
AUTO = Grey wire closed to Common
VIOLET = Common

Switch Positions: Cable Faults:
HAND ~ 1.4kΩ OPEN = Infinite Ω
OFF ~ 6.2kΩ SHORT ~ 0Ω
AUTO ~ 3.4kΩ




ORDERING INFORMATION

MODEL	RELAY	COIL	AMPERAGE RATING	HOA	HOA MONITOR	RELAY POWER LED	UL
V101	SPST, N.O.	10-30VAC/DC, 120VAC	10A	●	None	●	●
V101D	2x SPST, N.O.	10-30VAC/DC, 120VAC		●	None	●	●
V102	SPST, N.O.	10-30VAC/DC, 120VAC		●	Resistive	●	●
V103	SPST, N.O.	10-30VAC/DC, 120VAC		●	Digital	●	●
V201	SPST, N.O.	10-30VAC/DC, 208-277VAC		●	None	●	●
V201D	2x SPST, N.O.	10-30VAC/DC, 208-277VAC		●	None	●	●
V202	SPST, N.O.	10-30VAC/DC, 208-277VAC		●	Resistive	●	●
V203	SPST, N.O.	10-30VAC/DC, 208-277VAC		●	Digital	●	●

Some devices are plenum rated per UL 1995...see White Paper VWP01 at veris.com for details