

# TEC3000 Series Stand-Alone and Field-Selectable BACnet® MS/TP or N2 Networked Thermostat Controllers

## Product Bulletin

Code No. LIT-12011954  
Issued November 23, 2015

TEC331x-00-000, TEC332x-00-000, TEC333x-00-000,  
TEC361x-00-000, TEC362x-00-000, TEC363x-00-000

Refer to the [QuickLIT website](#) for the most up-to-date version of this document.

The TEC3000 Series Thermostat Controllers are stand-alone and field-selectable BACnet® Master-Slave/Token-Passing (MS/TP) or N2 networked devices that provide on/off, floating, and proportional control of:

- local hydronic reheat valves
- pressure-dependent VAV equipment with or without local reheat
- two- or four-pipe fan coils
- cabinet unit heaters
- other zoning equipment using an on/off, floating, or 0 to 10 VDC proportional control input

Models also provide single- or two-stage control of unitary rooftop units (RTUs) with or without economizers and heat pumps.

The networked models feature a field-selectable Building Automation System (BAS) BACnet MS/TP or N2 communication capability that enables remote monitoring and programming for efficient space temperature control. All models include a USB port configuration that reduces installation time by allowing simple backup and restore features from a USB drive, which enables rapid cloning of configuration between like units.

Some models have occupancy sensing capability built into the device. These thermostat controllers maximize up to 30% energy savings in high-energy usage commercial buildings, such as schools and hotels, during occupied times by using additional standby setpoints.



**Figure 1: TEC3000 Series Thermostat Controller Shown with Occupancy Sensor**

All models feature an intuitive UI with backlit display that makes setup and operation quick and easy. Multiple fan configurations are supported for fan coil equipment types:

- single-speed
- multi-speed (two or three discrete speeds)
- variable-speed/EC motors (0 to 10 VDC control)

Some models support dehumidification on two-pipe fan coil units with reheat, and four-pipe fan coil units with or without reheat. When no heating is required, the thermostat controller monitors space humidity and activates dehumidification control as necessary. Heat and/or reheat is used as required to maintain the space temperature. For optimal dehumidification performance, use a fan coil unit that has a multi-speed or variable-speed fan (VSF).

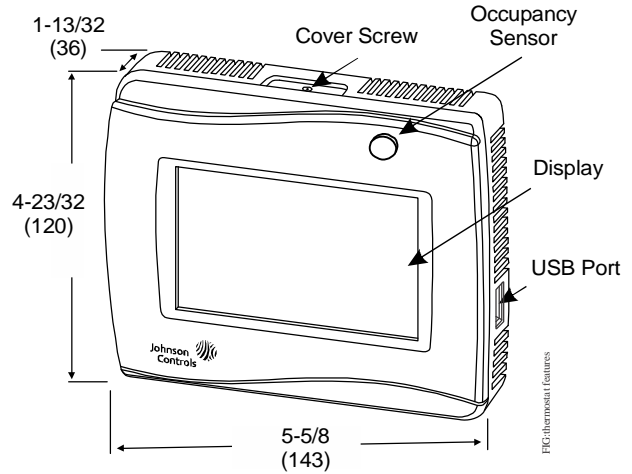


**Table 1: Features and Benefits**

<b>Feature</b>	<b>Benefit</b>
<b>Two Configurable Binary Inputs</b>	Provide additional inputs for advanced functions such as remote night setback, service or filter alarms, motion detector, and window status, and configures the application to respond accordingly.
<b>Field-Selectable BACnet MS/TP or N2 Networked Communication (TEC36xx-00-000 Models)</b>	Simplifies the upgrade from N2 networked communication to BACnet MS/TP networked communication without changing hardware.
<b>USB Port Configuration</b>	Reduces installation time by allowing simple backup and restore features from a USB drive, which enables rapid cloning of configuration between like units.
<b>Backlit Liquid Crystal Display (LCD)</b>	Offers real-time control status of the environment in easy-to-read, plain text messages with adjustable backlight that brightens during user interaction.
<b>Configurable Touch Screen UI</b>	Allows facility managers to limit the user interaction with the thermostat controller display based on specific energy policies.
<b>End-of-Line Switch</b>	Simplifies the layout and installation of communication buses.
<b>Mobile Access Portal (MAP) Gateway Compatibility (MAP Release 4.0 or Later)</b>	Allows the user to view equipment and control conditions using mobile devices.
<b>Stand-Alone and BACnet MS/TP or N2 Networked Models</b>	Offers application flexibility.
<b>Onboard Occupancy Sensor (TEC3xx1-00-000 and TEC3xx3-00-000 Models)</b>	Provides energy savings in high-energy usage commercial buildings without additional installation time or cost.
<b>On/Off, Floating, Proportional 0 to 10 VDC, and Single- or Two-Stage Control</b>	Offers additional application flexibility by providing more advanced control signals.
<b>Integral Humidity Sensor (TEC3xx2-00-000 and TEC3xx3-00-000 Models)</b>	Monitors space humidity and activates dehumidification control on two-pipe fan coil units with reheat and four-pipe fan coil units with or without reheat.
<b>Multiple Fan Configurations</b>	Provide single-speed, multi-speed, and variable-speed fan control.
<b>Full Line of Remote TE-6300 Series Temperature Sensors (See Table 4.)</b>	Supports a wide range of remote temperature sensing needs from a single supplier.

**IMPORTANT:** The TEC3000 Series Thermostat Controller is intended to provide an input to equipment under normal operating conditions. Where failure or malfunction of the thermostat controller could lead to personal injury or property damage to the controlled equipment or other property, additional precautions must be designed into the control system. Incorporate and maintain other devices, such as supervisory or alarm systems or safety or limit controls, intended to warn of or protect against failure or malfunction of the thermostat controller.

**IMPORTANT:** Le TEC3000 Series Thermostat Controller est destiné à transmettre des données entrantes à un équipement dans des conditions normales de fonctionnement. Lorsqu'une défaillance ou un dysfonctionnement du thermostat controller risque de provoquer des blessures ou d'endommager l'équipement contrôlé ou un autre équipement, la conception du système de contrôle doit intégrer des dispositifs de protection supplémentaires. Veiller dans ce cas à intégrer de façon permanente d'autres dispositifs, tels que des systèmes de supervision ou d'alarme, ou des dispositifs de sécurité ou de limitation, ayant une fonction d'avertissement ou de protection en cas de défaillance ou de dysfonctionnement du thermostat controller.



**Figure 2: TEC3000 Series Thermostat Controller Shown with Occupancy Sensor, Dimensions, in. (mm)**

### Repair Information

If the TEC3000 Series Thermostat Controller fails to operate within its specifications, replace the unit. For a replacement thermostat controller, contact the nearest Johnson Controls® representative.

**Table 2: Thermostat Controller Models<sup>1</sup> (Part 1 of 2)**

Code Number	Communication	Control Output	Onboard Occupancy Sensor	Dehumidification Capability
TEC3310-00-000	Stand-alone	On/off or floating fan coil and zoning	No	No
TEC3311-00-000	Stand-alone	On/off or floating fan coil and zoning	Yes	No
TEC3312-00-000	Stand-alone	On/off or floating fan coil and zoning	No	Yes
TEC3313-00-000	Stand-alone	On/off or floating fan coil and zoning	Yes	Yes
TEC3320-00-000	Stand-alone	0 to 10 VDC proportional fan coil and zoning	No	No
TEC3321-00-000	Stand-alone	0 to 10 VDC proportional fan coil and zoning	Yes	No
TEC3322-00-000	Stand-alone	0 to 10 VDC proportional fan coil and zoning	No	Yes
TEC3323-00-000	Stand-alone	0 to 10 VDC proportional fan coil and zoning	Yes	Yes
TEC3330-00-000	Stand-alone	Single- or two-stage RTU/heat pump with economizer	No	No

**Table 2: Thermostat Controller Models<sup>1</sup> (Part 2 of 2)**

Code Number	Communication	Control Output	Onboard Occupancy Sensor	Dehumidification Capability
TEC3331-00-000	Stand-alone	Single- or two-stage RTU/heat pump with economizer	Yes	No
TEC3610-00-000	Field-selectable BACnet MS/TP or N2 networked	On/off or floating fan coil and zoning	No	No
TEC3611-00-000	Field-selectable BACnet MS/TP or N2 networked	On/off or floating fan coil and zoning	Yes	No
TEC3612-00-000	Field-selectable BACnet MS/TP or N2 networked	On/off or floating fan coil and zoning	No	Yes
TEC3613-00-000	Field-selectable BACnet MS/TP or N2 networked	On/off or floating fan coil and zoning	Yes	Yes
TEC3620-00-000	Field-selectable BACnet MS/TP or N2 networked	0 to 10 VDC proportional fan coil and zoning	No	No
TEC3621-00-000	Field-selectable BACnet MS/TP or N2 networked	0 to 10 VDC proportional fan coil and zoning	Yes	No
TEC3622-00-000	Field-selectable BACnet MS/TP or N2 networked	0 to 10 VDC proportional fan coil and zoning	No	Yes
TEC3623-00-000	Field-selectable BACnet MS/TP or N2 networked	0 to 10 VDC proportional fan coil and zoning	Yes	Yes
TEC3630-00-000	Field-selectable BACnet MS/TP or N2 networked	Single- or two-stage RTU/heat pump with economizer	No	No
TEC3631-00-000	Field-selectable BACnet MS/TP or N2 networked	Single- or two-stage RTU/heat pump with economizer	Yes	No

1. Multiple fan configurations are supported for fan coil equipment types.

**Table 3: Accessories (Order Separately)**

Code Number	Description
TEC-WALLPLT	Wallplate for retrofitting existing installations or concealing mounting surface damage; can be used with any TEC3000 Series Thermostat Controller
TE-6300 Series <sup>1</sup>	Remote temperature sensors
T-4000-119	Allen-head adjustment tool (30 per bag)

1. See Table 4 for ordering details regarding Johnson Controls TE-6300 Series Remote Temperature Sensors.

**Table 4: Johnson Controls TE-6300 Series Temperature Sensors (Order Separately) (Part 1 of 2)**

Sensor Type	Mounting Style	Probe Length	Product Code Number
<b>Nickel (1k ohm)</b>	Adjustable <sup>1</sup>	8 in. (203 mm)	TE-6311A-1
	Averaging	8 ft (2.4 m)	TE-6315M-1
			TE-6315V-2 <sup>1</sup>
		17 ft (5.2 m)	TE-6316M-1
			TE-6316V-2 <sup>1</sup>
	Duct	4 in. (102 mm)	TE-631GM-1
		8 in. (203 mm)	TE-6311M-1
			TE-6311P-1
		18 in. (457 mm)	TE-631JM-1
	Flange	4 in. (102 mm)	TE-631GV-2
		8 in. (203 mm)	TE-6311V-2
	Flush	N/A	TE-6310F-0
			TE-6310F-1
	Outside air	3 in. (76 mm)	TE-6313P-1
	Strap-mount	3 in. (76 mm)	TE-631S-1
	Wall <sup>2</sup>	N/A	TE-6314P-1
Well	6 in. (152 mm)	TE-631AM-2	
	8 in. (203 mm)	TE-6312M-1	
<b>Platinum (1k ohm)</b>	Adjustable	8 in. (203 mm)	TE-6351-A
	Duct	4 in. (102 mm)	TE-635GM-1
			TE-6351M-1
			TE-6351P-1
		18 in. (457 mm)	TE-635JM-1
	Flange	4 in. (102 mm)	TE-635GV-2
		8 in. (203 mm)	TE-6351V-2
	Flush	N/A	TE-6350F-0
			TE-6350F-1
	Strap-mount	3 in. (76 mm)	TE-635S-1
	Outside air	3 in. (76 mm)	TE-6353P-1
	Wall <sup>2</sup>	N/A	TE-6324P-1
Well	6 in. (152 mm)	TE-635AM-2	
	8 in. (203 mm)	TE-6352M-1	
<b>Platinum Equivalent</b>	1k ohm averaging <sup>1</sup>	10 ft (3 m)	TE-6327P-1
		20 ft (6.1 m)	TE-6328P-1
	100 ohm averaging <sup>1</sup>	10 ft (3 m)	TE-6337P-1
		20 ft (6.1 m)	TE-6338P-1


**Table 4: Johnson Controls TE-6300 Series Temperature Sensors (Order Separately) (Part 2 of 2)**

Sensor Type	Mounting Style	Probe Length	Product Code Number
<b>Thermistor (2.2k ohm)</b>	Adjustable	8 in. (203 mm)	TE-6341A-1
	Duct	8 in. (203 mm)	TE-6341P-1
	Flange	4 in. (102 mm)	TE-634GV-2
		8 in. (203 mm)	TE-6341V-2
	Outside air	3 in. (76 mm)	TE-6343P-1
	Wall <sup>2</sup>	N/A	TE-6344P-1
	Well	8 in. (203 mm)	TE-6342M-1
6 in. (152 mm)		TE-634AM-2	
<b>Thermistor (10k ohm) Type II</b>	Adjustable	8 in. (203 mm)	TE-6361A-1
	Duct	4 in. (102 mm)	TE-636GM-1
		8 in. (203 mm)	TE-6361M-1
			TE-6361P-1
	Flange	18 in. (457 mm)	TE-636JM-1
		4 in. (102 mm)	TE-636GV-2
		8 in. (203 mm)	TE-6361V-2
	Flush	N/A	TE-6360F-0
			TE-6360F-1
	Outside air	3 in. (76 mm)	TE-6363P-1
	Strap-mount	3 in. (76 mm)	TE-636S-1
	Well	6 in. (152 mm)	TE-636AM-2
		8 in. (203 mm)	TE-6362M-1

1. Two TE-6001-8 Element Holders come with the platinum-equivalent averaging sensors. Order separately to use with a nickel averaging sensor.
2. Order the TE-1800-9600 Mounting Hardware separately to mount the wall unit to a wallbox.

## Technical Specifications

### TEC3000 Series Stand-Alone and Field-Selectable BACnet MS/TP or N2 Networked Thermostat Controllers (Part 1 of 2)

<b>Power Requirements</b>		19 to 30 VAC, 50/60 Hz, 4 VA at 24 VAC nominal, Class 2 or safety extra-low voltage (SELV)
<b>Analog Output Rating (Proportional Control Models)</b>		0 to 10 VDC into 2k ohm resistance (minimum)
<b>Relay Contact Rating (On/Off, Floating, or Staged Economizer Control Models)</b>		19 to 30 VAC, 1.0 A maximum, 15 mA minimum, 3.0 A in-rush, Class 2 or SELV
<b>Fan Relay Output Rating (On/Off, Floating, and Proportional Control Models)</b>		19 to 30 VAC, 1.0 A maximum, 15 mA minimum, 3.0 A in-rush
<b>Auxiliary Output Rating/Triac Output (On/Off, Floating, and Proportional Control Models)</b>		19 to 30 VAC, 1.0 A maximum, 15 mA minimum, 3.0 A in-rush
<b>Binary Inputs</b>		Dry contact across terminal COM to terminals BI1, BI2, or COS
<b>Analog Inputs</b>		Nickel, platinum, A99B, 2.25k ohm negative temperature coefficient (NTC), 10k ohm NTC, 10k ohm NTC Type 3 across terminal COM to terminals R SEN or COS
<b>Temperature Sensor Type</b>		Local 1k ohm platinum sensor
<b>Wire Size</b>		18 AWG (1.0 mm diameter) maximum, 22 AWG (0.6 mm diameter) recommended
<b>MS/TP Network Guidelines</b>		Up to 100 devices maximum per Network Automation Engine (NAE); 4,000 ft (1,219 m) maximum cable length
<b>Temperature Range</b>	<b>Backlit Display</b>	-40.0°F/-40.0°C to 122.0°F/50.0°C in 0.5° increments
	<b>Heating Control</b>	40.0°F/4.5°C to 90.0°F/32.0°C
	<b>Cooling Control</b>	54.0°F/12.0°C to 100.0°F/38.0°C
<b>Accuracy</b>	<b>Temperature</b>	±0.9F°/±0.5C° at 70.0°F/21.0°C typical calibrated
	<b>Humidity (On/Off, Floating, and Proportional Control Models)</b>	±5% RH from 20 to 80% RH at 50 to 90°F (10 to 32°C)
<b>Minimum Deadband</b>		2F°/1C° between heating and cooling
<b>Occupancy Sensor Motion Detection (Occupancy Sensing Models)</b>		Minimum of 94 angular degrees up to a distance of 15 ft (4.6 m); based on a clear line of sight
<b>Ambient Conditions</b>	<b>Operating</b>	32 to 122°F (0 to 50°C); 95% RH maximum, noncondensing
	<b>Storage</b>	-22 to 122°F (-30 to 50°C); 95% RH maximum, noncondensing
<b>Compliance</b>  	<b>BACnet International</b>	BACnet Testing Laboratories™ (BTL) 135-2001 Listed BACnet Application Specific Controller (B-ASC)
	<b>United States</b>	UL Listed, File E27734, CCN XAPX, Under UL60730
		FCC Compliant to CFR 47, Part 15, Subpart B, Class B
	<b>Canada</b>	UL Listed, File E27734, CCN XAPX7 Under E60730
		Industry Canada, ICES-003
<b>Europe</b>	CE Mark – Johnson Controls, Inc. declares that this product is in compliance with the essential requirements and other relevant provisions of the EMC Directive and the RoHS Directive.	
<b>Australia and New Zealand</b>	RCM Mark, Australia/NZ Emissions Compliant	

## TEC3000 Series Stand-Alone and Field-Selectable BACnet MS/TP or N2 Networked Thermostat Controllers (Part 2 of 2)

Shipping Weight	Models without Occupancy Sensor	0.75 lb (0.34 kg)
	Models with Occupancy Sensor	0.77 lb (0.35 kg)

The performance specifications are nominal and conform to acceptable industry standards. For application at conditions beyond these specifications, consult the local Johnson Controls office. Johnson Controls, Inc. shall not be liable for damages resulting from misapplication or misuse of its products.

### United States Emissions Compliance

This equipment has been tested and found to comply with the limits for a Class B digital device, pursuant to Part 15 of the FCC Rules. These limits are designed to provide reasonable protection against harmful interference in a residential installation. This equipment generates, uses and can radiate radio frequency energy and, if not installed and used in accordance with the instructions, may cause harmful interference to radio communications. However, there is no guarantee that interference will not occur in a particular installation. If this equipment does cause harmful interference to radio or television reception, which can be determined by turning the equipment off and on, the user is encouraged to try to correct the interference by one or more of the following measures:

- Reorient or relocate the receiving antenna.
- Increase the separation between the equipment and receiver.
- Connect the equipment into an outlet on a circuit different from that to which the receiver is connected.
- Consult the dealer or an experienced radio/TV technician for help.

### Canadian Emissions Compliance

This Class (B) digital apparatus meets all the requirements of the Canadian Interference-Causing Equipment Regulations.  
Cet appareil numérique de la Classe (B) respecte toutes les exigences du Règlement sur le matériel brouilleur du Canada.



**Building Efficiency**

507 E. Michigan Street, Milwaukee, WI 53202

Metasys® and Johnson Controls® are registered trademarks of Johnson Controls, Inc.  
All other marks herein are the marks of their respective owners. © 2015 Johnson Controls, Inc.