

The Medallion Series

Description:

Medallion digital controls, depending on model, are battery powered or hardwired. They are designed to operate most heating/cooling systems, and the models offer a variety of features to meet any residential needs, from the simplest non-programmable models to the easy-to-use programmable models, both of which are available with a unique PSG feature called ServiceWatch®. (See inside for more information on this feature.)

Application:

Medallion digital controls are designed for residential and light commercial air conditioning and heating applications. They are ideal for use with heating systems such as gas, oil, and central electric furnaces. A slide switch allows the fan to activate with the call for heat, as needed in central electric heat. They are compatible with most split and heat pump systems, including water source and multi stage.

Features:

- Large LCD Display** - For easy readability.
- System Indicators** - When heating or cooling is activated an icon is displayed.
- Room Temperature Displayed** - Actual room temperature is displayed. On programmable and ServiceWatch® models display alternates between actual room temperature and set point.
- Slide System Switches** - Easy to operate slide switches for fan and system selection.
- Attractive Design** - Decorators love the style of the control.
- Push Button Setting** - Large "Up & Down" buttons for setting temperature.
- Power** - 24 VAC or battery, depending on model.
- Low Battery Warning** - "LO" displays when battery power gets low (battery powered models only).
- Safety Thermostat** - A separate safety thermostat set at 40°F is incorporated into the control to protect against freeze up if the batteries fail (battery powered models only).
- Low Cost** - State of the art circuit design allows for cost effective manufacturing.
- Rugged Design** - High reliability components and high impact case give these controls durability and the highest reliability.
- Backlight** - Lights up display for night visibility, on demand or continuous. Available on selected hardwired models.
- Remote Sensing** - Wall or duct mount sensors available for use with selected models up to 250 ft.
- Adjustable Dead Band** - Auto-changeover models have independent heat and cool set points, allowing the dead band to be adjusted, with a 2° minimum.

General Specifications: *(Contact the factory for detailed Engineering Specifications)*

Range:	40° F to 90° F	Safety Limit:	Heat 40° F (on battery powered models)
Accuracy:	± 1° F	Wire	
Differential:	1° F (selected models adjustable from 0.5 to 2.0°F)	Connections:	Screw terminal strip
Time Delay:	3 Min.	Power:	Battery or Hardwired 24 VAC
Load Rating:	24 VAC at 1.0 amp	Backlight:	On selected hardwired models
Case:	Plastic, white	Non-volatile	
Internal Selector Jumper:	Electric Heat/Oil or Gas Heat	Memory Chip:	Saves settings in the event of a power loss (on hardwired models)

Non-Programmable

Description:

The non-programmable *Medallion* controls offer an ideal low-cost solution for replacing old bi-metal thermostats, as well as for installing a simple digital control in new construction. Battery models run on two “AAA” batteries (provided). As shown, a backplate can be used in retrofits, and custom imprinting is available on the backplate. (Contact the factory for more information.)



Dimensions:

Control: 2.9Wx2.9Hx1.2D

Backplate: 4.0Wx4.0Hx.25D

Model No.	Function/ Stages	Power	System Switches	Fan Switches	Other
TDM24-H1	Heat Only	Battery	Ht/Off	None	Features
TDM24-H1NS	Heat Only	Battery	None	None	No switches
TDM24-A1	Cool Only	Battery	Cl/Off	Auto/On	
TDM24-AH11	1 Cl/1 Ht	Battery	Cl/Off/Ht	Auto/On	
TDM24-H1-C	Heat Only	Hardwired	Ht/Off	None	Remote Sensing avail.
TDM24-A1-C	Cool Only	Hardwired	Cl/Off	Auto/On	
TDM24-AH11-C	1 Cl/1 Ht	Hardwired	Cl/Off/Ht	Auto/On	Remote Sensing avail.
TDM24-H1-CB	Heat Only	Hardwired	Ht/Off	None	Backlit; Remote Sensing avail.
TDM24-A1-CB	Cool Only	Hardwired	Cl/Off	Auto/On	Backlit
TDM24-AH11-CB	1 Cl/1 Ht	Hardwired	Cl/Off/Ht	Auto/On	Backlit; Remote Sensing avail.

Outdoor and remote sensors must be ordered separately - see Accessories.

Non-Programmable ServiceWatch®

Description:

These non-programmable controls are all hardwired and come with PSG’s unique feature called ServiceWatch®. This feature is programmed by the contractor to let the homeowner know when the HVAC system needs to be serviced based on run time hours. The contractor programs the hours for Filter, Heat, and A/C. The control tracks the run time hours, and when they reach the programmed times the LCD will display “Call for Check-Up” and identify the system. The contractor’s telephone number (10 digit) is also displayed. After the homeowner calls for service the display can be returned to its normal mode by pressing the “Up/Down” buttons. The “Call for Check-Up” will reappear for 15 seconds every 15 minutes, continuing until the contractor resets the ServiceWatch® function.

Specifications:

(in addition to “General Specifications”)

Dimensions: 5.0Wx5.09Hx1.2D

Power: All models hardwired

Backlight: LCD lights up when any button is pressed or can be lit at all times (Jumper)



Model No.	Function/ Stages	Power	System Switches	Fan Switches	Other Features
TDMS24-AH11-CB	1 Cl/1 Ht	Hardwired	Cl/Off/Ht	Auto/On	Backlit; Remote Sensing avail.
TDAS24-AH11-CB	1 Cl/1 Ht	Hardwired	Auto/Cl/Off/Ht	Auto/On	Backlit; Remote Sensing avail.

Outdoor and remote sensors must be ordered separately - see Accessories.

Programmable

Description:

The programmable *Medallion* controls are designed for easy operation and simple programming. Most people can program the units without any instructions. The program is 5/2, or all seven days can have the same economy comfort times and temperature settings. Programming allows for the setting of Wake, Leave, Return, and Sleep times.

PSG's programmable controls meet the strict criteria set by the US Environmental Protection Agency and the US Department of Energy to receive the Energy Star rating.

Specifications:

(in addition to "General Specifications")

Dimensions: 5.0Wx5.09Hx1.2D
Power: Hardwired or 2 "AA" batteries (provided)
Backlight: LCD lights up when any button is pressed or can be lit at all times



Model No.	Function/ Stages	Power	System Switches	Fan Switches	Other Features
TDMP24-H1	Heat Only	Battery	Ht/Off	None	
TDMP24-A1	Cool Only	Battery	Cl/Off	Auto/On	
TDMP24-AH11	1 Cl/1 Ht	Battery	Cl/Off/Ht	Auto/On	
TDMP24-H1-CB	Heat Only	Hardwired	Ht/Off	None	Backlit; Remote Sensing avail.
TDMP24-A1-CB	Cool Only	Hardwired	Cl/Off	Auto/On	Backlit; Remote Sensing avail.
TDMP24-AH11-CB	1 Cl/1 Ht	Hardwired	Cl/Off/Ht	Auto/On	Backlit; Remote Sensing avail.
TDMP24-AH11-M3F	1 Cl/1 Ht	Hardwired	Cl/Off/Ht	Auto/On	Backlit; 3-Speed Fan Control
TDAP24-AH11-M3F	1 Cl/1 Ht	Hardwired	Auto/Cl/Off/Ht	Auto/On	Backlit; 3-Speed Fan Control
TDMP24-AH11-CB*	1 Cl/1 Ht	Hardwired	Cl/Off/Ht	Auto/On	ServiceWatch®; Backlit; Remote Sensing avail.

*Model designed for use with optional outdoor sensor (see Accessories)
Outdoor and remote sensors must be ordered separately - see Accessories.

Multi Stage Models (Non-Programmable & Programmable)

Description:

The *Medallion* series offers models specifically designed for multi stage systems, both split and heat pump. These models are available in non-programmable with ServiceWatch® and programmable with or without ServiceWatch®. All multi stage models are hardwired, have backlighting, and are available with remote sensing if desired.

Model No.	Function/ Stages	System Switches	Fan Switches	Programmable (Yes/No)	ServiceWatch® (Yes/No)
TDMS24-AH22-CB	2 Cl/2 Ht	Cl/Off/Ht	Auto/On	No	Yes
TDAS24-AH22-CB	2 Cl/2 Ht	Auto/Cl/Off/Ht	Auto/On	No	Yes
TDMHP24-AH12-B**	1 Cl/2 Ht	Cl/Off/Ht/EH	Auto/On	No	Yes
TDAH24-AH12-B**	1 Cl/2 Ht	Auto/Cl/Off/Ht/EH	Auto/On	No	Yes
TDMP24-AH22-CB	2 Cl/2 Ht	Cl/Off/Ht	Auto/On	Yes	No
TDAP24-AH22-CB	2 Cl/2 Ht	Auto/Cl/Off/Ht	Auto/On	Yes	No
TDMPHP-AH12-B**	1 Cl/2 Ht	Cl/Off/Ht/EH	Auto/On	Yes	No
TDAPHP-AH12-B**	1 Cl/2 Ht	Auto/Cl/Off/Ht/EH	Auto/On	Yes	No
TDMP24-AH22-CB*	2 Cl/2 Ht	Cl/Off/Ht	Auto/On	Yes	Yes
TDAPS24-AH22-CB*	2 Cl/2 Ht	Auto/Cl/Off/Ht	Auto/On	Yes	Yes

*Models designed for use with optional outdoor sensor (see Accessories)
****Heat Pump Models**
Outdoor and remote sensors must be ordered separately - see Accessories.

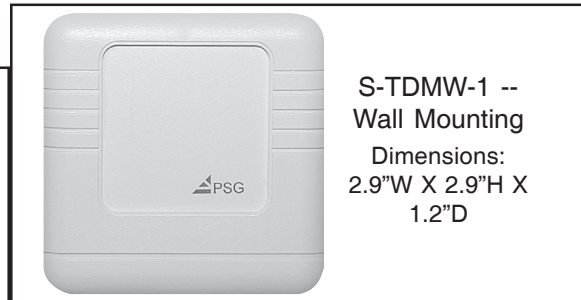
Remote Sensing:

Remote sensing is available on selected models in every series of the *Medallion* family. As shown, there are two styles of remote sensors available, duct and wall mount, and they can be used up to 250 feet from the *Medallion* control. To order a control with remote sensing add “-R” to the model number.

S-TDMD-12 -- Duct Mounting



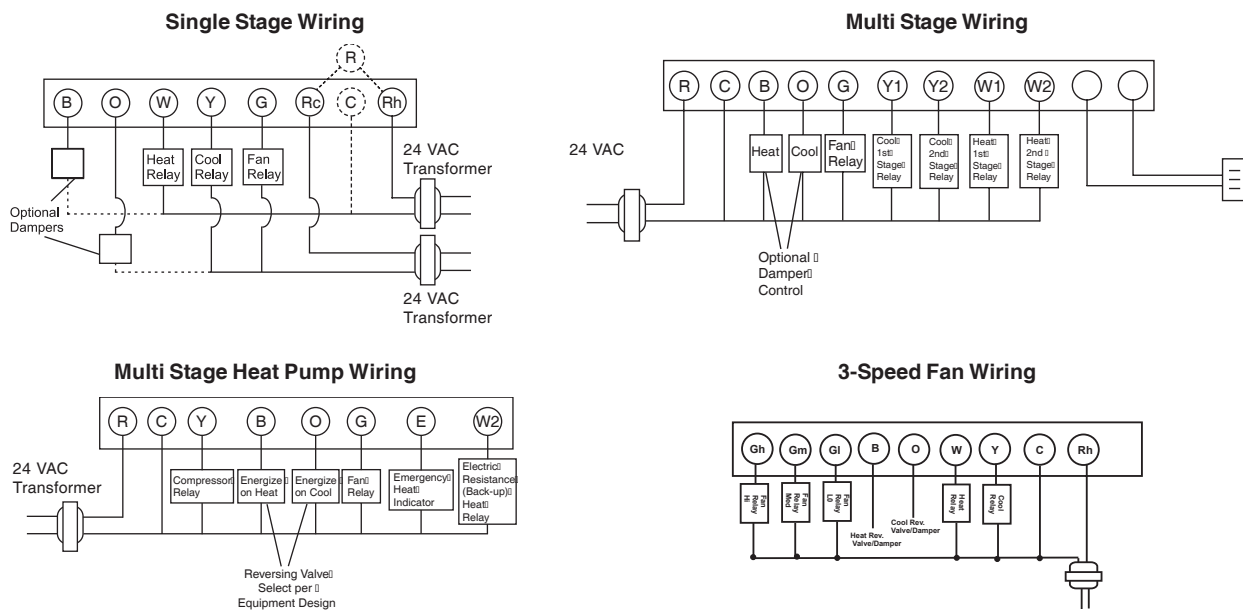
Dimensions:
0.75" X 0.18OD X 12ft. lead



S-TDMW-1 --
Wall Mounting
Dimensions:
2.9"W X 2.9"H X
1.2"D

Wiring:

The wiring diagrams shown are only typical, detailed wiring diagrams will be outlined in the instruction sheets.



Accessories:

BP-TDM1	Mounting Plate (Basic Non-Programmable Series)
S-TDMW-1	Remote Sensor - Wall Mount (Order sensor and add “-R” to control’s model no.)
S-TDMD-12	Remote Sensor - Duct Mount (Order sensor and add “-R” to control’s model no.)
S-TDMS-1	Outdoor Sensor (For use with TDMPS24-AH11-CB, TDMPS24-AH22-CB, & TDAPS24-AH22-CB models only)
RIF-24-1	Relay “Add-A’Common” (Converts 3 or 4 wire to 4 or 5 wire)

Warranty:

PSG controls have a “limited 1 year warranty” against defects in workmanship and materials. (Contact PSG for full warranty policy.)

 **PSG Controls, Inc.**
Setting New Standards in Temperature Controls

1225 Tunnel Road - Perkasie, PA 18944 - 215-257-3621 - Fax 215-257-4288
Web site: www.psgcontrols.com — E-mail: sales@psgcontrols.com