

Model 267

Very Low Differential Pressure Transducer



Setra's Model 267 is the most rugged high accuracy, low differential pressure transducer on the market. It delivers accuracies of $\pm 1\%$ FS (without display), $\pm 0.5\%$ FS (with display), and optional $\pm 0.25\%$ FS and $\pm 0.4\%$ FS accuracies, and pressure ranges from 0.1" W.C. up to 100" W.C. The 267 is housed in a robust, NEMA 4 rated enclosure and has an optional static pressure probe reducing installation and material costs. The 267 is offered with an optional LCD display and a standard accuracy of $\pm 0.5\%$ making it ideal for high accuracy Pharmaceutical applications.

Customization is Standard

The 267, unlike most competitors, offers many mechanical and electrical options that can be integrated into existing designs. The optional 0.25" diameter pressure probe is made of sturdy extruded aluminum and is designed with baffles to prevent velocity pressure errors which saves money and reduces time on the job site.

Robust Enclosure for Difficult Applications

The 267 is housed in a NEMA 4 rated housing and is built to withstand harsh environments. The 267 is available in both wall and duct mount providing the installer with flexible mounting options. The wall mount allows the sensor to be installed anywhere, whereas the duct probe configuration is designed to maximize space efficiency in difficult applications.

The Setra Sensor

The core technology of the 267 is the all stainless steel capacitive sensing element. Setra designs and manufactures all of their sensing elements resulting in full control over the process and quality of every single sensor. The welded dead-ended capacitive sensors requires minimal amplification and delivers excellent accuracy and longterm stability. Setra's technology has been used in over 8 million installations and has the highest field acceptance rate in the industry.

- Suitable for Harsh Environments
- Optional LCD Display
- $\pm 0.25\%$, 0.4%, 0.5%, 1% FS Accuracy

Model 267 Features:

- Optional 3.5 Digit LCD Display w/ 0.5% FS Accuracy
- NEMA 4 Rated Housing
- Optional Static Pressure Probe
- PG-9, PG-13 or Conduit Electrical Termination
- 24 VAC or 24 VDC Excitation
- CE & RoHS Compliant

Applications:

- HVAC Systems
- Energy Management Systems
- Static Duct Pressure
- Cleanroom Pressure
- Oven Pressurization & Furnace Draft Controls

Model 267

Very Low Differential Pressure Transducer



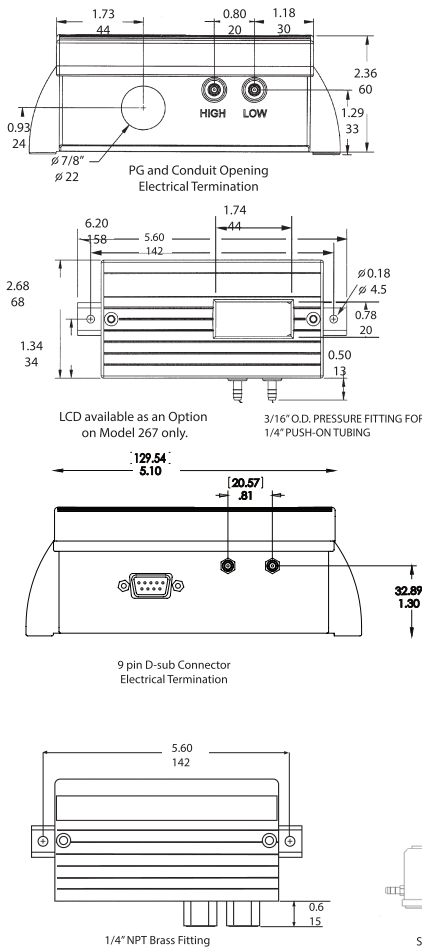
ORDERING INFORMATION

2 6 7 1 - - - -

Model	Range				Output		Pressure Fitting/Elec. Termination		Accuracy (Full Scale)
2671 = 267	Unidirectional	Bidirectional	Unidirectional	Bidirectional	11	4-20 mA	3/16" Barbed Brass Fitting		CN ±1% FS with no LCD Display
	OR1WD 0 to 0.1"W.C.	OR1WB ±0.1"W.C.	025LD 0 to 25 Pa	025LB ±25 Pa	2D	0-5 VDC	G1	PG-13.5 Strain Relief	EN ±0.4% FS* with no LCD Display
	R25WD 0 to 0.25"W.C.	R25WB ±0.25"W.C.	050LD 0 to 50 Pa	050LB ±50 Pa	2E	0-10 VDC	G2	PG9 Strain Relief	FN ±0.25% FS* with no LCD Display
	0R5WD 0 to 0.5"W.C.	0R5WB ±0.5"W.C.	100LD 0 to 100 Pa	100LB ±100 Pa			D9 ¹	9 pin D-Sub Conn.	GN ±1% FS* with no LCD Display
	001WD 0 to 1"W.C.	001WB ±1.0"W.C.	250LD 0 to 250 Pa	250LB ±250 Pa			A1	1/2" Conduit Opening	HD ±0.5% FS* with LDC Display
	1R5WD 0 to 1.5"W.C.	1R5WB ±1.5"W.C.	500LD 0 to 500 Pa	500LB ±500 Pa			1/4"NPTF Brass Fitting		ED ±0.4% FS* with LDC Display
	2R5WD 0 to 2.5"W.C.	2R5WB ±2.5"W.C.	10CLD 0 to 1000 Pa	10CLB ±1000 Pa			1K	PG-9 Strain Relief	FD ±0.25% FS* with LDC Display
	005WD 0 to 5.0"W.C.	005WB ±5.0"W.C.	25CLD 0 to 2500 Pa	25CLB ±2500 Pa			2K	PG-13.5 Strain Relief	*includes Cal Cert.
	010WD 0 to 10"W.C.	010WB ±10"W.C.	40CLD 0 to 4000 Pa	40CLB ±4000 Pa			9K	9 Pin D-Sub Conn.	
	025WD 0 to 25"W.C.	025WB ±25"W.C.	70CLD 0 to 7000 Pa	70CLB ±7000 Pa			AK	1/2" Conduit Opening	
	050WD 0 to 50"W.C.	050WB ±50"W.C.					Static Duct Probe		
	100WD 0 to 100"W.C.	100WB ±100"W.C.					1P	PG-9 Strain Relief	
							2P	PG-13.5 Strain Relief	
							9P	9 Pin D-Sub Conn.	
							AP	1/2" Conduit Opening	

Ordering Example: Part No. 2671R25WD11G2CN for a 0 to .25 in. WC Unidirectional Range, 4-20 mA Output, 3/16" Barbed Brass Fitting, PG-9 Electrical Termination, 1% Accuracy with LCD Display

DIMENSIONS



GENERAL SPECIFICATIONS

Performance Data			Physical Description	
	Standard	Optional		Case
Accuracy RSS ¹ (at constant temp)	±1.0% FS	±0.4% FS	±0.25% FS	IP65/NEMA 4 Plastic Glass-Filled Polycarbonate UL94V-0 Case
Non-Linearity, BFSL	±0.98% FS	±0.38% FS	±0.22% FS	Electrical Connection
Hysteresis	±0.10% FS	±0.10% FS	±0.10% FS	Screw Terminal Strip Inside of Case
Non-Repeatability	±0.05% FS	±0.05% FS	±0.05% FS	Electrical Terminations
Position Effect: Consult factory				PG-9/PG13.5 Strain Relief, 1/2" Conduit Opening, or 9 Pin D-Sub Connector*
Pressure Media			Electrical Data (Current)	
Thermal Effects ^{2,3}			Circuit	2-Wire, Protected from Miswiring
Compensated Range °F (°C)	+40 to +150 (+5 to +65)		Output ⁷	4 to 20 mA ⁴
Zero/Span Shift %FS/°F (°C)	±0.033 (±0.06)		Bidirectional Output at Zero	12 mA
Maximum Line Pressure	10 PSI		Min. Loop Supply Voltage (VDC)	9 + 0.02 x (Resistance of Receiver plus line)
Overpressure	Up to 10 PSI (Range Dependent)		Max. Loop Supply Voltage (VDC)	30 + 0.004 x (Resistance of Receiver plus line)
Long-Term Stability	0.1% FS Total		Electrical Data (Voltage)	
Environmental Data			Circuit	3-Wire (Exc, Gnd, Sig), Protected from Miswiring
Operating ⁶ Temperature °F (°C)	0 to +150 (-18 to +65)		Excitation (for 0-5 VDC Output)	9 to 30 VAC / 12 to 40 VDC
Storage Temperature °F (°C)	-65 to +180 (-54 to +82)		Excitation (for 0-10 VDC Output)	11 to 30 VAC / 13 to 40 VDC
			Output ⁵	0 to 5 VDC ⁵ / 0 to 10 VDC ⁵

¹ RSS of Non-Linearity, Hysteresis, and Non-Repeatability.
² Units calibrated at nominal 70°F. Maximum thermal error computed from this datum.
³ Calibrated into a 50K ohm load, operable into a 5000 ohm load or greater.
⁴ Zero output factory set to within ±0.16 mA (±0.08 mA for optional accuracies). Span (Full Scale) output factory set to within ±0.16 mA (±0.08 mA for optional accuracies).
⁵ Zero output factory set to within ±50mV (±25 mV for optional accuracies). Span (Full Scale) output factory set to within ±50mV (±25 mV for optional accuracies).
⁶ Operating temperature limits of the electronics only. Pressure media temperatures may be considerably higher.
⁷ Calibrated at factory with a 24 VDC loop supply voltage and a 250 ohm load.