

Types		
S1A	one SPDT	3 ft, 18 GA appliance cable
S2A	two SPDT	3 ft, 18 GA appliance cable

Technical Data	S1A	S2A
Number of switches	one SPDT	two SPDT
Weight	4.6 oz [130 g]	6.0 oz [170 g]
Switching capacity	3A (0.5A), 250 VAC	
Switching point	adjustable over full rotation (0° to 95°)	
Pre-setting	with scale possible	
Humidity	5 to 95% RH non-condensing	
Ambient temperature	-22°F to 122°F [-30°C to +50°C]	
Storage temperature	-40°F to 176°F [-40°C to 80°C]	
Housing	NEMA 2 / IP54	
Housing rating	UL94-5VA	
Servicing	maintenance free	
Agency listings	cULus acc. to UL60730-1 CE according to 73/23/EEC	
Quality standard	ISO 9001	

### Application

The S1A and S2A auxiliary switches are used to indicate when a desired position of a damper is reached or to interface additional controls for a specific control sequence.

### Operation

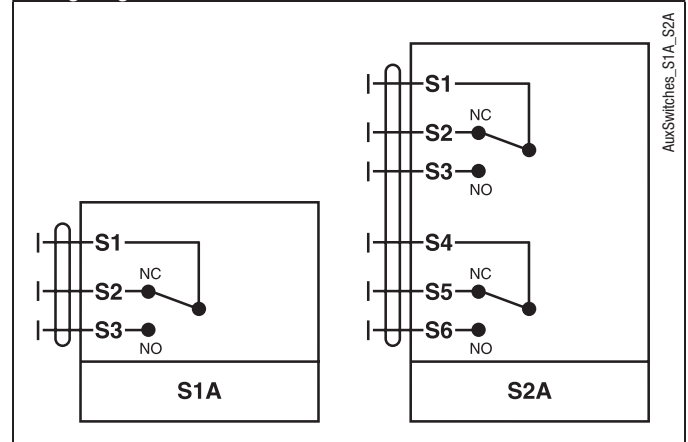
The S1A and S2A auxiliary switches are mounted onto the direct coupled actuator. The switches are modular units that mount directly onto LM, NM, AM, and GM type actuators and are locked into place by guiding grooves on the sides of the actuator.

A driver disk is attached to the actuator clamp and offers direct transmission of the actuator position to the micro switch cams. The switching points can be set over the full scale of 0 to 1 simply by adjusting the slotted discs.

### Mounting Instructions

1. Remove position indicator from actuator.
2. Press down the manual override button and rotate the actuator fully counter clockwise.
3. Turn the driver disk on the switch fully counterclockwise.
4. Slide switch onto the actuator using the actuator guiding grooves on the sides of the actuator.
5. Check for correct mating of the driver disk to the universal clamp.
6. Adjust switch dials as necessary.

### Wiring Diagrams



N40103 - 09/11 - Subject to change. © Belimo Aircontrols (USA), Inc.

**hvacUSA.com**  
A MechTronics Controls Company

[www.hvacusa.com](http://www.hvacusa.com)  
Phone (877) 632-4876