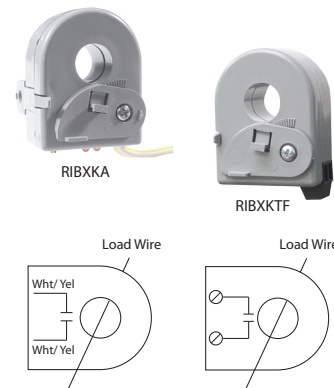
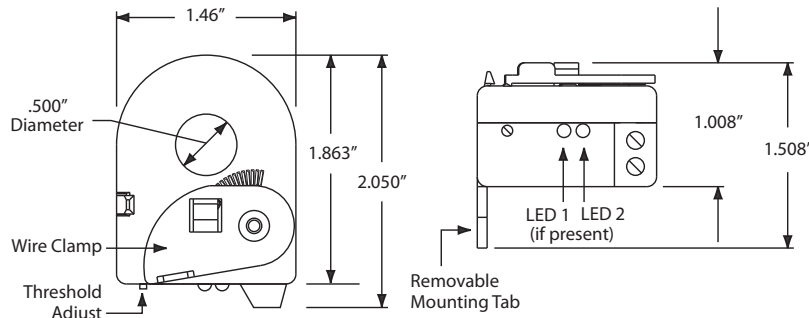


RIBXK Series

Enclosed Solid Core AC Sensors

AC Sensors Low-Voltage-Switching



Specifications

Operating Temperature: -30 to 140° F
Humidity Range: 5 to 95% (noncondensing)
Max Sense Voltage: 600 Vac
Approvals: UL Listed, UL916, UL864, C-UL, California State Fire Marshal, CE, RoHS
Mounting/Installation: Removable mounting tab provided. The wire clamp locks against the load wire, securing the unit in place.
Sensor Output:
 Current below threshold: Open
 Current above threshold: Closed

Sensor Output:

- Solid State Contact
- 30 Vac/dc, .4 Amp Max. RIBXKF, RIBXKTF
- 30 Vac/dc, .8 Amp Max. RIBXKA, RIBXKTA
- When current sensor status is off (open), leakage <30 uA @ 30Vac/dc
- When current sensor status is on (closed), voltage drop < .3 Vac/dc @ .1 Amp < 1.6 Vac/dc @ .4 Amp

RIBXK Series Selection Guide

Model#	Range	Type	Threshold	Sensor Output	LED 1	LED 2
RIBXKF	.25-150 Amp	Solid Core	Fixed, .25 Amp	Solid State Switch SPST; 30 Vac/dc; .4 Amps Max (Wht/Yel 16" 18 AWG Wire Leads)		
RIBXKTF	.25-150 Amp	Solid Core	Fixed, .25 Amp	Solid State Switch SPST; 30 Vac/dc; .4 Amps Max (Terminal Strip, Accepts #14-22 AWG Wire)		
RIBXKA	.50-150 Amp	Solid Core	Adjustable	Solid State Switch SPST; 30 Vac/dc; .8 Amps Max (Wht/Yel 16" 18 AWG Wire Leads)	Over Trip Point	Under Trip Point
RIBXKTA	.50-150 Amp	Solid Core	Adjustable	Solid State Switch SPST; 30 Vac/dc; .8 Amps Max (Terminal Strip, Accepts #14-22 AWG Wire)	Over Trip Point	Under Trip Point