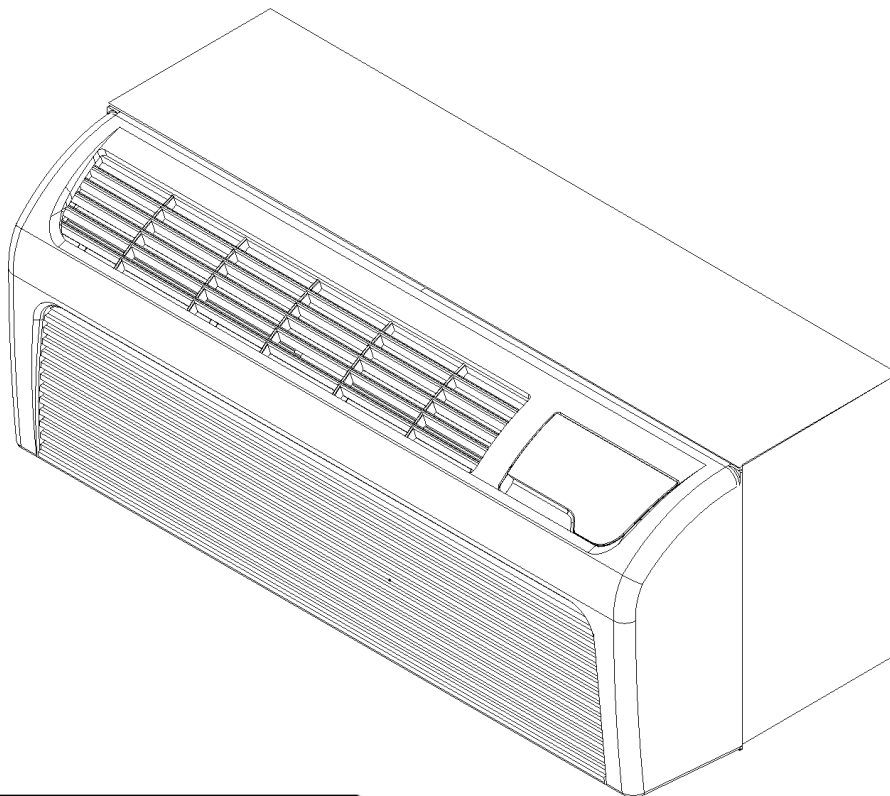


PTC073D*DA Packaged Terminal Air Conditioners

PTC073D00ARDA
PTC073D00HHDA
PTC073D15ARDA
PTC073D25ARDA
PTC073D25AZDA
PTC073D25CRDA
PTC073D35ARDA
PTC073D35AZDA
PTC073D35CRDA
PTC073D35CZDA



Amana is a trademark of Maytag Corporation and used under license to Goodman Company, L.P. All rights reserved.

This manual is to be used by qualified technicians only.

© 2008 Goodman Company, L.P. ♦ 5151 San Felipe, Suite 500 ♦ Houston, TX 77056

Important Information

Index

Functional Parts List	3
Illustration and Parts	4 - 9

Views shown are for parts illustrations only, not servicing procedures.

Text Codes:

AR - As Required

NA - Not Available

NS - Not Shown

00000000 - See Note

QTY - Quantity Example (QTY 3) (If Quantity not shown, Quantity = 1)

M - Model Example (M1) (If M Code not shown, then part is used on all Models)

Expanded Model Nomenclature:

Example M1 - Model#1 M2 - Model#2 M3 - Model#3

Goodman Company, L.P. is not responsible for personal injury or property damage resulting from improper service. Review all service information before beginning repairs.

Warranty service must be performed by an authorized technician, using authorized factory parts. If service is required after the warranty expires, Goodman Company, L.P. also recommends contacting an authorized technician and using authorized factory parts.

Goodman Company, L.P. reserves the right to discontinue, or change at any time, specifications or designs without notice or without incurring obligations.

For assistance within the U.S.A. contact:

Consumer Affairs Department
Goodman Company, L.P.
7401 Security Way
Houston, Texas 77040
877-254-4729-Telephone
713-863-2382-Facsimile

For assistance outside the U.S.A. contact:

International Division
Goodman Company, L.P.
7401 Security Way
Houston, Texas 77040
713-861-2500-Telephone
713-863-2382-Facsimile

Functional Parts

Part

No: Description:

CAP050200370RSS	CAPACITOR 5/20/370V
39R162AD-9DSS	COMPRESSOR, RECHI
PCBCP129S	CONTROL BOARD, M61 WIRELESS (M2)
RSKP0010	CONTROL BOARD, M61 WIRELESS KIT (M1, M3, M4, M5, M6, M7, M8, M9, M10)
1261401	DIGITENNA (M5, M8, M10)
22312901	HEATER 3 1.5 KW ASSY (M3)
22312902	HEATER 3 2.5 KW ASSY (M4, M5, M6)
22312903	HEATER 3 3.5 KW ASSY (M7, M8, M9, M10)
C8873917	RELAY (HYRDONIC) (M2)
0130P00038	THERMISTOR-DISCHARGE
20295709	THERMISTOR-HEAT PUMP (M5, M8, M10)
0130P00046	THERMISTOR-INDOOR AMBIENT
20295707	THERMISTOR-INDOOR COIL
0130P00039	THERMISTOR-OUTDOOR AMBIENT (M5, M8, M10)
20512501	TRANSFORMER

SPECIAL PARTS

IO-311	CONFIGURATION SETTINGS (M2)
20490201	INSPECTION SHEET-SLEEVE/DRAIN
IO-692A	INSTALLATION INSTRUCTIONS (M1, M3, M4, M5, M6, M7, M8, M9, M10)
IO-266	INSTALLATION INSTRUCTIONS-PTAC CHASSIS
RP-532	REPAIR PARTS MANUAL
IO-293B	USERS MANUAL

Expanded Model Nomenclature

M1 - PTC073D00ARDA
M2 - PTC073D00HHDA
M3 - PTC073D15ARDA
M4 - PTC073D25ARDA
M5 - PTC073D25AZDA
M6 - PTC073D25CRDA
M7 - PTC073D35ARDA
M8 - PTC073D35AZDA
M9 - PTC073D35CRDA
M10 - PTC073D35CZDA

Replacement Parts List

Image 1

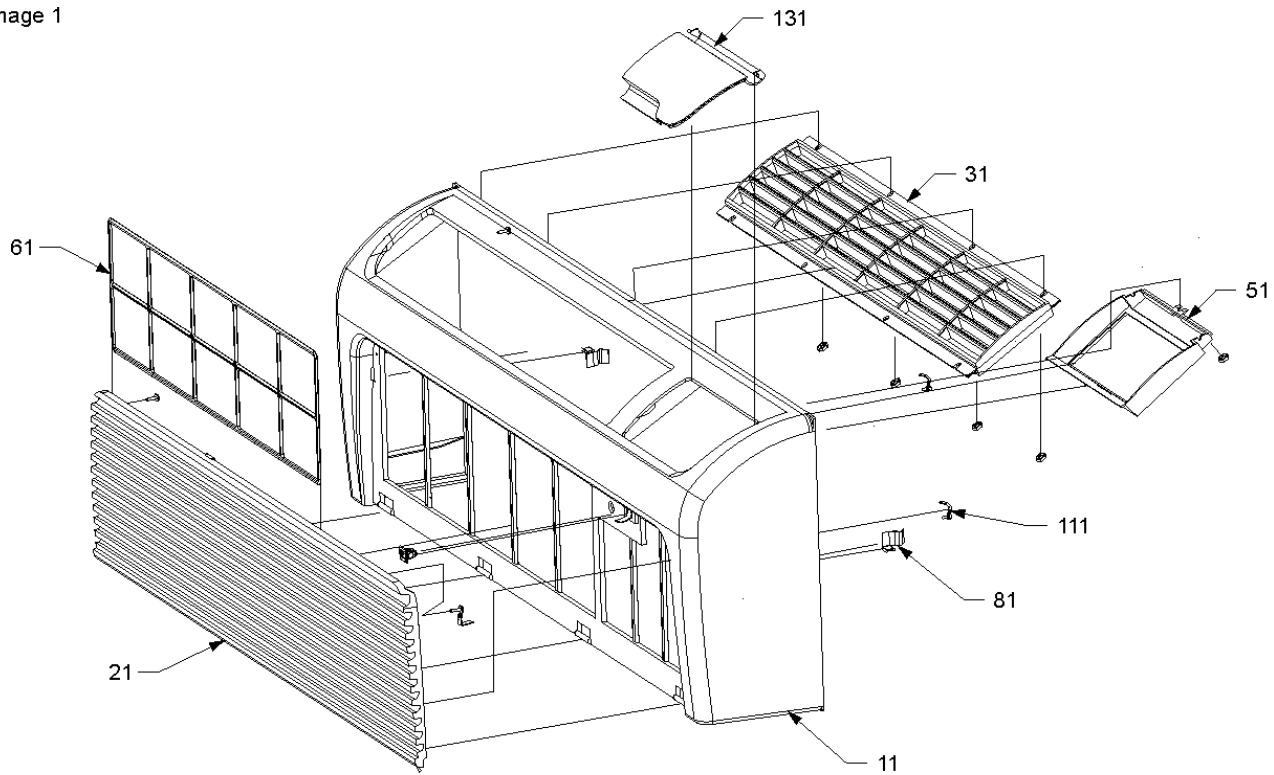
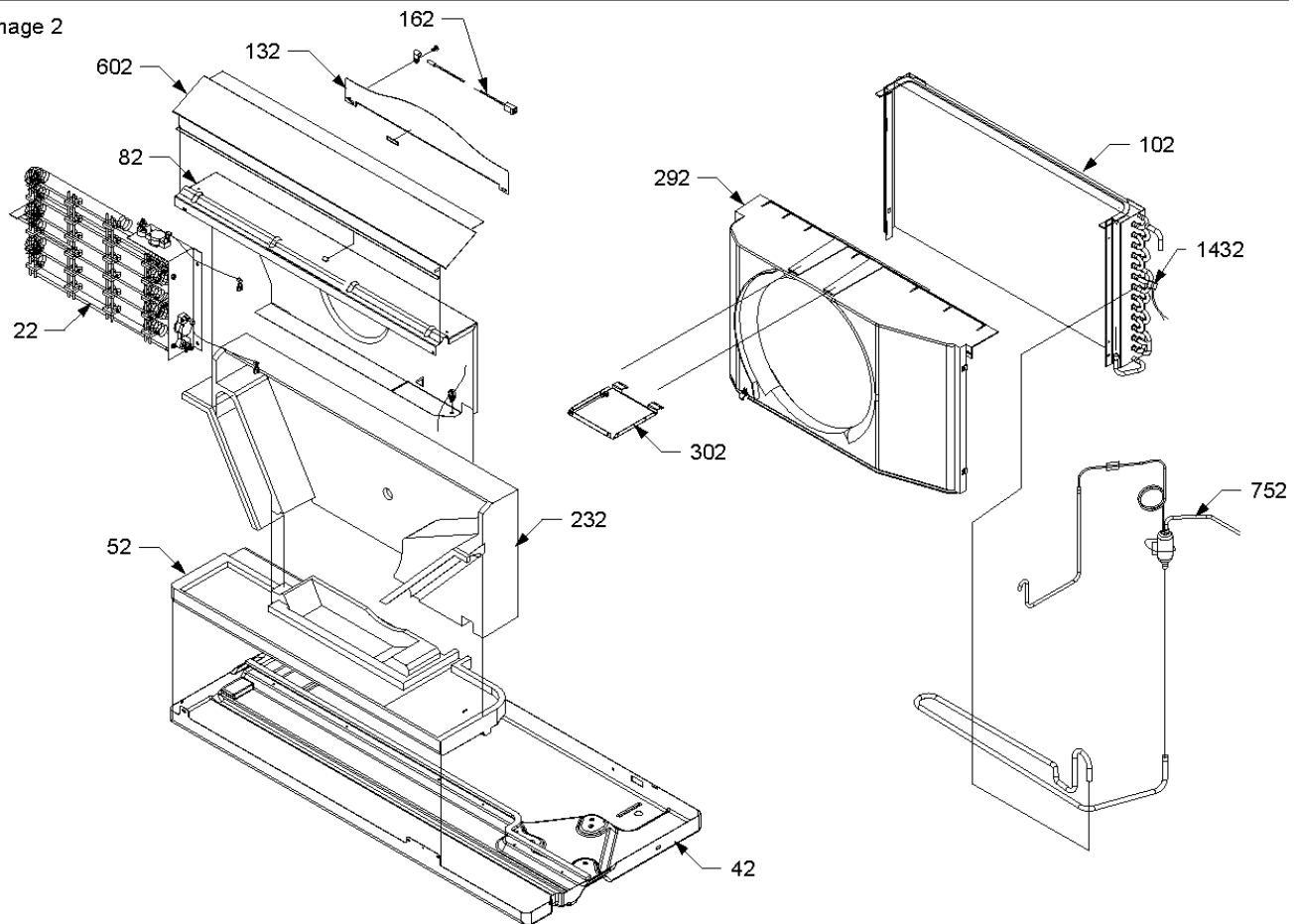


Image 2



Replacement Parts List

Ref. Part No:	Ref. Part No:	Description:	Description:
---------------	---------------	--------------	--------------

Image 1: FRONT ASSY

11	0261P00000A	FRONT FRAME (M1, M3, M4, M5, M6, M7, M8, M9, M10)
21	20415402	INTAKE GRILLE (M1, M3, M4, M5, M6, M7, M8, M9, M10)
31	20415301	EXHAUST GRILLE (M1, M3, M4, M5, M6, M7, M8, M9, M10)
51	20415601	CONTROL HOUSING (M1, M3, M4, M5, M6, M7, M8, M9, M10)
61	20415801	FILTER (M1, M3, M4, M5, M6, M7, M8, M9, M10)
81	11045102	SIDE CLIP (M1, M3, M4, M5, M6, M7, M8, M9, M10)
111	0161P00002P	STRAP-INLET GRILLE RESTRAINT (M1, M3, M4, M5, M6, M7, M8, M9, M10)
131	20415901	DOOR ASSY (M1, M3, M4, M5, M6, M7, M8, M9, M10)

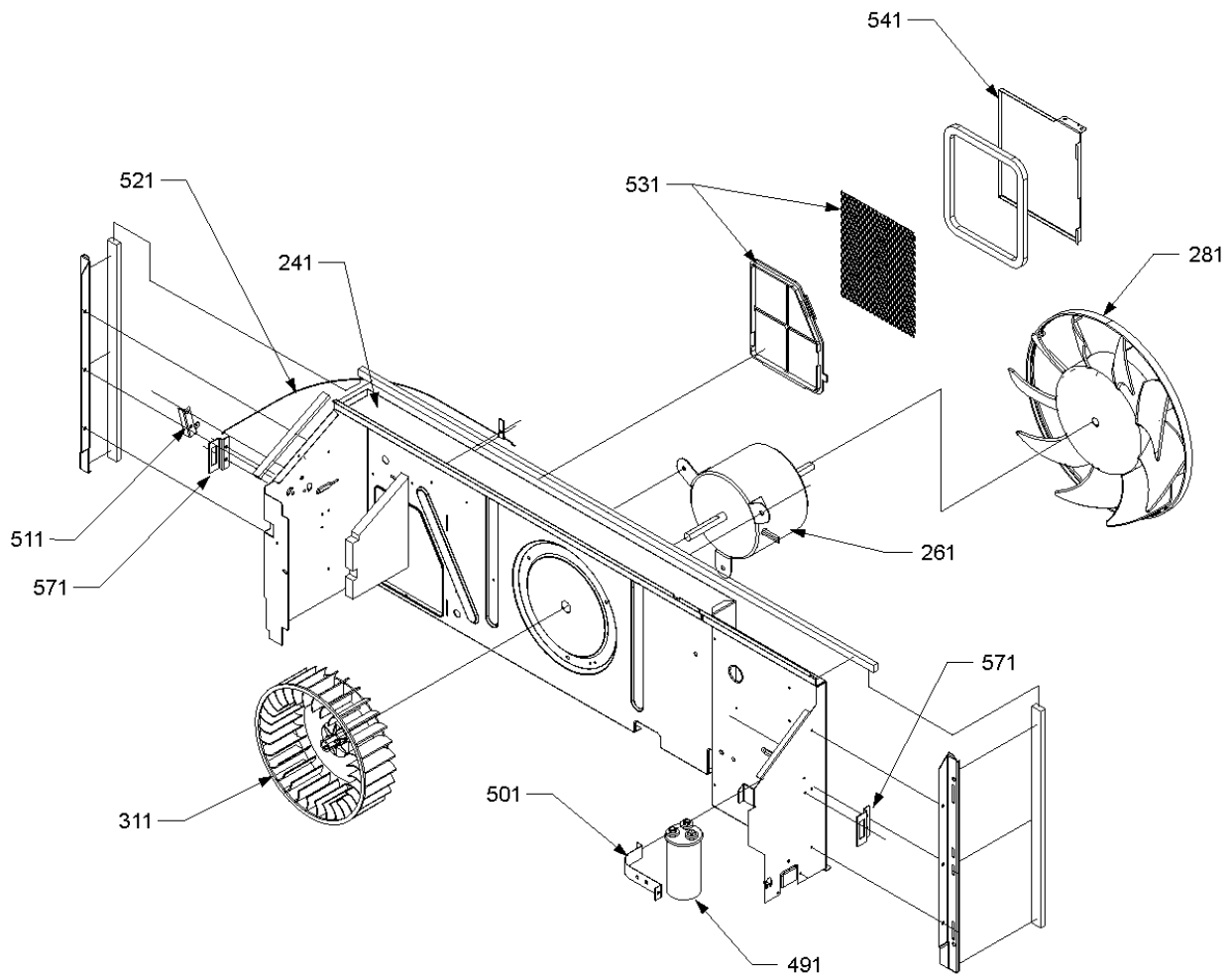
Image 2: BASEPAN ASSY

22	22312901	HEATER 3 1.5 KW ASSY (M3)
22	22312902	HEATER 3 2.5 KW ASSY (M4, M5, M6)
22	22312903	HEATER 3 3.5 KW ASSY (M7, M8, M9, M10)
42	20403508	BASE PAN
52	B20403802	EVAPORATOR PAD
62	20364804	BLOWER INTAKE
102	0201P00066S	TUBING ASSY, COND COIL (M1, M2, M3, M4, M5, M7, M8)
102	0201P00067DG	TUBING ASSY, COND COIL (M6, M9, M10)
132	20515304	BLOWER EXTERNAL INTAKE
162	0130P00038	THERMISTOR-DISCHARGE
232	B20356703	BLOWER SCROLL
292	0161P00015	CONDENSER SHROUD
302	11044201PDG	TIE BRACE
602	11123911	DISCHARGE SCREEN (M1, M3, M4, M5, M6, M7, M8, M9, M10)
752	0210P00081	CAPILLARY WELDMENT
752	20473002	CAPILLARY WELDMENT (M2, M6, M9)
1432	20295709	THERMISTOR-HEAT PUMP (M5, M8, M10)

Expanded Model Nomenclature

M1 - PTC073D00ARDA
M2 - PTC073D00HHDA
M3 - PTC073D15ARDA
M4 - PTC073D25ARDA
M5 - PTC073D25AZDA
M6 - PTC073D25CRDA
M7 - PTC073D35ARDA
M8 - PTC073D35AZDA
M9 - PTC073D35CRDA
M10 - PTC073D35CZDA

Replacement Parts List



Replacement Parts List

Ref. Part No:	No:	Description:	Ref. Part No:	No:	Description:
---------------	-----	--------------	---------------	-----	--------------

Image 1: CHASSIS-BACK

241	0121P00041DG	PARTITION PANEL
261	0131P00000S	FAN MOTOR 40 W, 2 SP, 8 PL
281	20414601	CONDENSER FAN
311	11044101	BLOWER WHEEL
491	CAP050200370RSS	CAPACITOR 5/20/370V
501	C6300502	CAPACITOR STRAP
511	11046302	LEVER ARM
521	11115401	CABLE
531	20304003	PROTECTION SHIELD
541	11046105PDG	VENT DOOR
571	11191703	PARTITION PANEL BRACKET (QTY 2)

Expanded Model Nomenclature

M1 - PTC073D00ARDA
M2 - PTC073D00HHDA
M3 - PTC073D15ARDA
M4 - PTC073D25ARDA
M5 - PTC073D25AZDA
M6 - PTC073D25CRDA
M7 - PTC073D35ARDA
M8 - PTC073D35AZDA
M9 - PTC073D35CRDA
M10 - PTC073D35CZDA

Replacement Parts List

Image 1

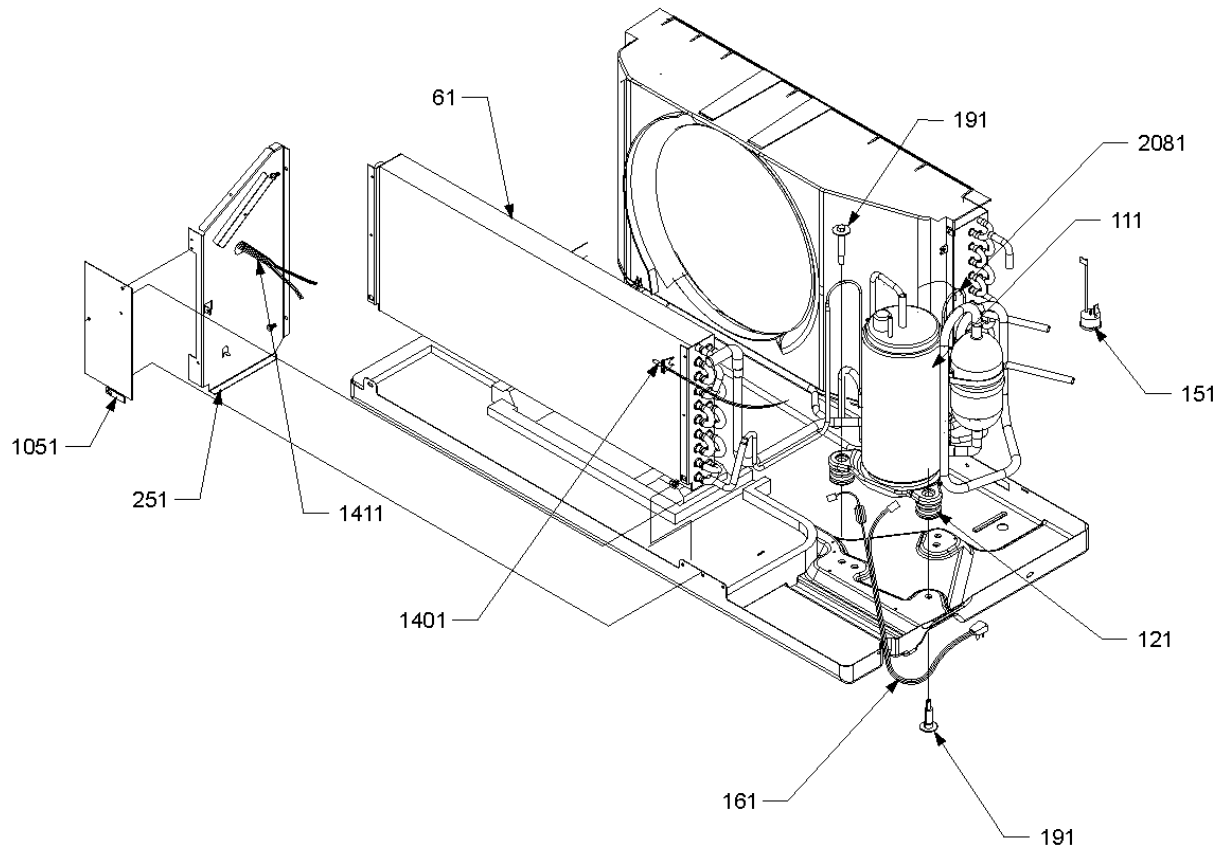
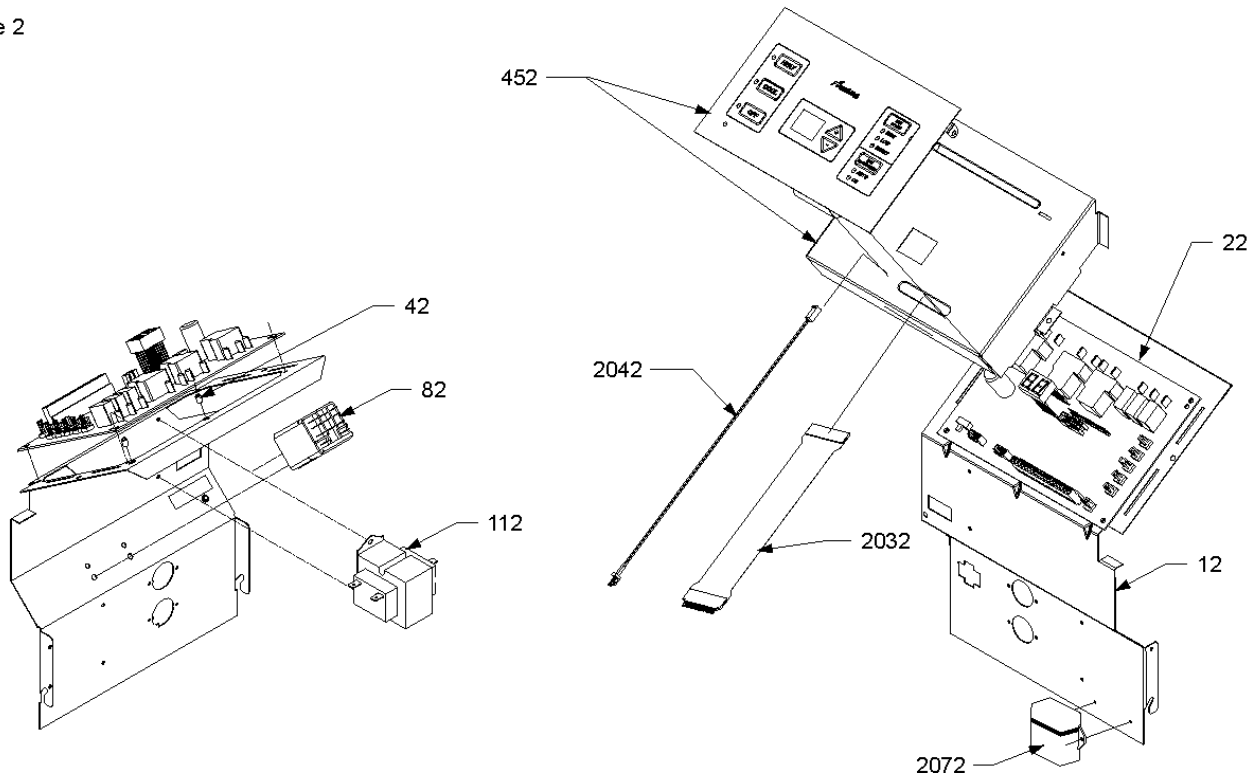


Image 2



Replacement Parts List

Ref. Part No:	Ref. Part No:	Description:	Description:
---------------	---------------	--------------	--------------

Image 1: CHASSIS-FRONT

61	0202P00046S	TUBING ASSY, EVAP COIL
81	C8873917	RELAY (HYRDONIC) (M2)
111	39R162AD-9DSS	COMPRESSOR, RECHI
121	60110202	GROMMET - RECHI COMPRESSOR (QTY 3)
151	60343507	OVERLOAD PROTECTOR
161	0130P00006S	CORD 250 VAC, 15A (LCDI) (M1, M2, M3, M4, M5, M6)
161	0130P00007S	CORD 250 VAC, 20A (LCDI) (M7, M8, M9, M10)
191	M0253661	SHOULDER SCREW (QTY 3)
251	20403301	MID PARTITION PANEL
1051	20410801	ACCESS COVER
1401	0130P00046	THERMISTOR-INDOOR AMBIENT
1411	20295707	THERMISTOR-INDOOR COIL
2031	0130P00015	RIBBON-EXTENSION (M2)
2041	0130P00016	WIRE EXTENSION SL-156 (M2)
2081	0130P00039	THERMISTOR-OUTDOOR AMBIENT (M5, M8, M10)

Image 2: CONTROL PANEL

12	11044505	CONTROL PANEL
22	PCBCP129S	CONTROL BOARD, M61 WIRELESS (M2)
22	RSKP0010	CONTROL BOARD, M61 WIRELESS KIT (M1, M3, M4, M5, M6, M7, M8, M9, M10)
42	M0590702	SUPPORT (QTY 2)
112	20512501	TRANSFORMER
452	RSKP0005	CONTROL PANEL COVER AND MEMBRANE (M1, M3, M4, M5, M6, M7, M8, M9, M10)
2072	1261401	DIGITENNA (M5, M8, M10)

Expanded Model Nomenclature

M1 - PTC073D00ARDA
M2 - PTC073D00HHDA
M3 - PTC073D15ARDA
M4 - PTC073D25ARDA
M5 - PTC073D25AZDA
M6 - PTC073D25CRDA
M7 - PTC073D35ARDA
M8 - PTC073D35AZDA
M9 - PTC073D35CRDA
M10 - PTC073D35CZDA

