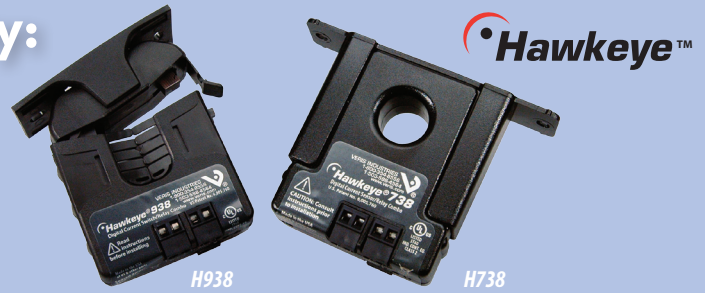


Current Switches with Relay: Adjustable Trip Point



Status And Control In One Package

DESCRIPTION

The Hawkeye Relay Combination Series is the ideal solution for the automation installer. These units combine a current switch and relay into a single package, reducing the space required for total control of fans and pumps. The current switch and relay operate independently of one another. These devices allow start/stop control and status monitoring with one device instead of two.

APPLICATIONS

- Starting/stopping and monitoring positive status of motors
- Detecting belt loss and coupling shear

FEATURES

- Combines command relay and fan/pump status sensor in a single, easy to install unit
- Reduces number of components installed...fits better in small starter enclosures
- Detect belt loss and motor failure...ideal for fan and pump status
- H748 and H948 feature a SPDT command relay...control two outputs with a single relay
- Bracket on H938, H948, and H958 can be installed in three different configurations...added flexibility
- Reduced charges from electrician
- Relay and status LEDs for easy setup
- Polarity insensitive status output...fast and easy installation
- Adjustable setpoint for current sensor status...fits many applications
- 5-year warranty

CURRENT MONITORING

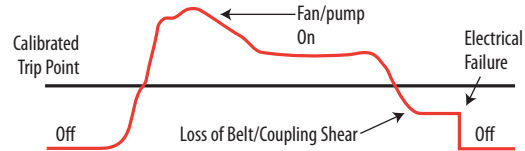
RELAY CONTACT RATINGS

H735 (SPST, N.O.)	
Resistive.....	.5A@250VAC, 30VDC
Inductive.....	.3A@250VAC, 30VDC
Hx38, Hx58 (SPST, N.O.)	
Resistive.....	10A@250VAC, 30VDC
Inductive.....	.5A@250VAC, 30VDC
Hx48 (SPDT)	
Resistive.....	8A@250VAC, 30VDC
Inductive.....	3.5A@250VAC, 30VDC

TYPICAL COIL PERFORMANCE

Voltage	AC	DC
24V.....	10mA	10mA
12V.....		20mA
Pull In Voltage		
Hx3x		20.1VDC
Hx48		20.1VDC
Hx58		8.4VDC
Drop Out Voltage		
Hx3x		5.2VDC
Hx48		5.2VDC
Hx58		3.0VDC

DETECTS BELT LOSS/COUPLING SHEAR!



Now you can easily detect when drive belts slip, break, or pump couplings shear. In fact, a typical HVAC motor that loses its load has a reduction of current draw of up to 50%. That's why our sensors are the industry standard for status.



SPECIFICATIONS

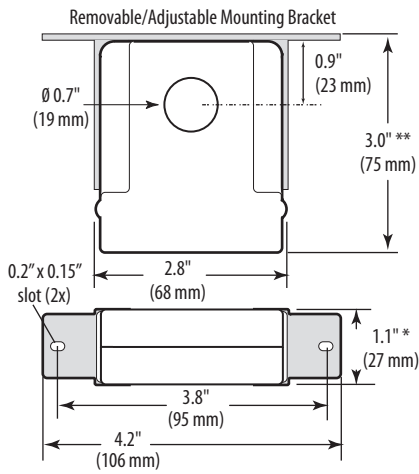


Sensor Power	Induced from monitored conductor
Insulation Class	600VAC RMS
Frequency Range	50/60 Hz
Temperature Range	-15° to 60°C (5° to 140°F)
Humidity Range	10-90% RH non-condensing
Hysteresis	10% Typical
Terminal Block Wire Size	24-14 AWG (0.2 to 2.1 mm ²)
Terminal Block Torque	3.5 to 4.4 in-lbs (0.4 to 0.5 N-m)
Agency Approvals	UL 508 open device listing

Do not use the LED status indicators as evidence of applied voltage.

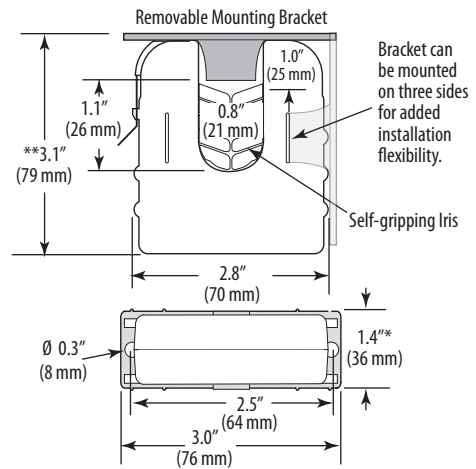
DIMENSIONAL DRAWINGS

H735/738/748/758



* Terminal block may extend up to 1/8" over the height dimensions shown.

H938/948/958

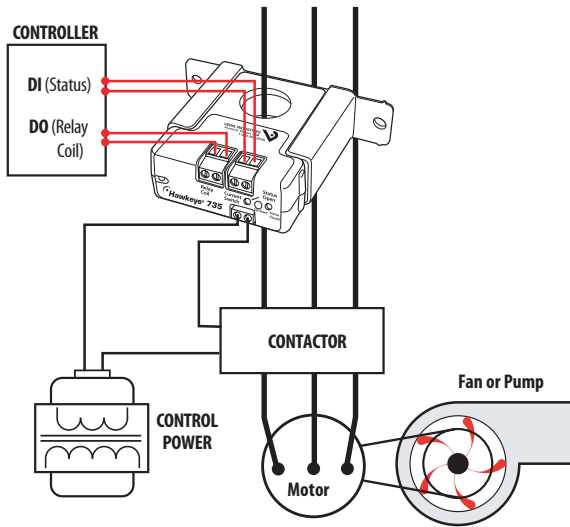


Bracket can be mounted on three sides for added installation flexibility.

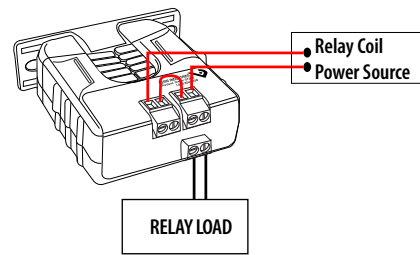
Self-gripping Iris

APPLICATION/WIRING DIAGRAMS

Start/Stop Monitoring of Fan/Pump Motors



Relay Controlled Directly by Status Contacts



MechTronics
Controls
www.hvacusa.com
Phone (877) 632-4876

ORDERING INFORMATION

MODEL	AMPERAGE RANGE	STATUS OUTPUT(max.)	MIN. TRIP POINT	RELAY	COIL VOLTAGE	HOUSING	STATUS LED	RELAY POWER LED	UL
H735	1 - 135A	0.1A@30VAC/DC	1A or less	SPST, N.O.	24VAC/DC	Solid-core	●	●	●
H738	1 - 135A		1A or less	SPST, N.O.	24VAC/DC	Solid-core	●	●	●
H748	1 - 135A		1A or less	SPDT	24VAC/DC	Solid-core	●	●	●
H758	1 - 135A		1A or less	SPST, N.O.	12VDC nom.	Solid-core	●	●	●
H938	2.5 - 135A	1.0A@30VAC/DC	2.5A or less	SPST, N.O.	24VAC/DC	Split-core	●	●	●
H948	2.5 - 135A		2.5A or less	SPDT	24VAC/DC	Split-core	●	●	●
H958	2.5 - 135A		2.5A or less	SPST, N.O.	12VDC nom.	Split-core	●	●	●

ACCESSORIES

DIN Rail Clip Set (AH01)
DIN Rail (AV01) and DIN Stop Clip (AV02)

