

QPM21 Series

Duct CO₂ and Air Quality Sensors



Description

The Carbon Dioxide (CO₂) Duct Sensors are directly wired to the controller via twisted pair and/or three conductor cables (18 to 22 AWG). The number and type of cables required depends on the model selected. All field wiring is terminated in a terminal block on the sensor body. All CO₂ duct sensors deliver a 0 to 10 Vdc output signal.

Features

- Maintenance-free CO₂ sensing element based on optical infrared absorption measurement, Non Dispersive Infrared (NDIR).
- CO₂ temperature and CO₂ humidity-temperature multisensor.
- No recalibrations required.
- Operating voltage 24 Vac.
- Signal outputs 0 to 10 Vdc.

Application

For use in air ducts of ventilation and air conditioning applications to enhance room comfort and to optimize energy consumption by providing demand-controlled ventilation. The sensor acquires:

- CO₂ concentrations.
- VOC concentrations as an indication of odors in the duct air, such as tobacco smoke, body odor, or material fumes.
- The relative humidity of the duct air.
- The duct air temperature.

The QPM21 Series Sensors can be used as a:

- Control sensor in the supply or exhaust air duct.
- Transmitter for building automation and control systems and/or display units.

Typical use:

- Acquisition of CO₂ and VOC concentrations:
In party rooms, lounges, fair pavilions and exhibition halls, restaurants, canteens, shopping malls, sports gymnasiums, sales rooms, and conference rooms.
- Acquisition of CO₂ concentrations:
In ventilation applications of rooms with varying occupancy levels where smoking is prohibited, such as museums, theaters, movie theaters, auditoriums, office spaces and school rooms.

**Application,
 Continued**

- NOTES:**
- The QPM21 Series Sensors are not suited for use as safety devices, such as gas or smoke warning devices.
 - Do not install outdoors.

Product Numbers

Table 1.

Product Number	CO ₂ Measuring Range	VOC Sensitivity	Temperature Measuring Range	Humidity Measuring Range
QPM2100	0 to 2000 ppm	—	—	—
QPM2102		Low (R1) Normal (R2) High (R3)	—	—
QPM2160		—	32°F to 122°F/-31°F to 95°F (0 to 50°C/-35 to 35°C)	—
QPM2162		—		0 to 100%

Ordering

When ordering, specify product number and description.
 For example: Duct air quality sensor QPM2102

The sensor is supplied complete with mounting flange and cable entry gland M16.

**Equipment
 Combinations**

The QPM21 Series Air Quality Sensors are suited for use with all types of systems and devices capable of acquiring and handling the 0 to 10 Vdc output signal delivered by the sensor.

Mode of Operation

CO₂ Concentrations

The QPM21 Series Air Quality Sensors acquire the CO₂ concentration by infrared absorption measurement (NDIR). Due to an additional integrated reference light source, the measurement is always accurate. This reduces service costs as no service or recalibration is needed.

The resulting output signal of 0 to 10 Vdc is proportional to the CO₂ content of the ambient air.

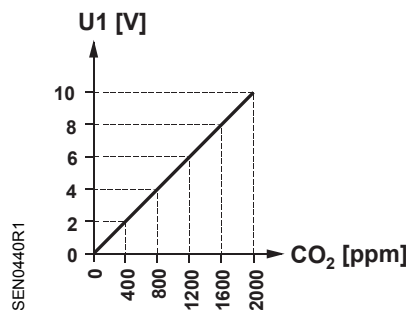


Figure 1. Function Diagram CO₂ (Output U1).

CO₂/VOC Concentration (QPM2102 Only)

The sensor acquires and evaluates the CO₂/VOC concentration and converts it to a ventilation demand signal.

It represents the result of maximum selection of the CO₂ measuring signal and the filtered VOC measuring signal. With maximum selection, the two demand signals are compared and – depending on the result and the selected VOC sensitivity – delivered as the common air quality demand.

The ventilation demand signal is delivered via output U2 as a 0 to 10 Vdc signal to be fed to the ventilation controller.

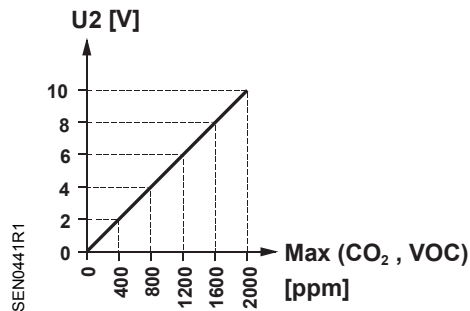


Figure 2. Ventilation Demand Diagram (Output U2).

VOC Sensitivity

Using the jumper on the setting element for the measuring range, the impact of VOC ventilation demand on maximum selection against CO₂ ventilation demand can be changed.

The position in the middle (R2) produces normal sensitivity of the VOC signal (factory setting). The other two positions are used for increasing (R3) or decreasing (R1) VOC sensitivity (see Figure 3).

Response Time VOC Signal

Before the processor handles a change of the measured VOC value for maximum selection, there is a delay in response time of three minutes for every Volt the signal value changes.

Relative Humidity (QPM2162 Only)

The sensor acquires the relative humidity in the room with a capacitive humidity sensing element whose capacitance changes as a function of the relative humidity.

An electronic measuring circuit converts the signal from the sensing element to a continuous 0 to 10 Vdc signal, corresponding to a relative humidity range of 0 to 100%.

Temperature (QPM2160 and QPM2162 Only)

The sensor acquires the air duct temperature with a sensing element whose electrical resistance changes as a function of the temperature.

The change is converted to an active 0 to 10 Vdc output signal (\cong 32°F to 122°F [0°C to 50°C] or -31°F to 95°F [-35°C to 35°C]).

Mechanical Design

The duct air quality sensor consists of housing, printed circuit board, connection terminals, mounting flange and immersion rod with measuring probe.

The two-sectional housing is comprised of base and removable cover (snap-on design). The measuring circuit and the setting elements are located on the printed circuit board inside the cover, the connection terminals on the base.

The humidity and temperature sensing elements are located at the end of the measuring probe and are protected by a filter cap.

Cable entry is made via the cable entry gland M16 (IP 54) supplied with the sensor, which screws into the housing.

Immersion rod and housing are made of plastic and are rigidly connected.

The sensor is fitted with the mounting flange supplied with the sensor. The flange is placed over the immersion rod and then secured at the required immersion length.

Setting Elements

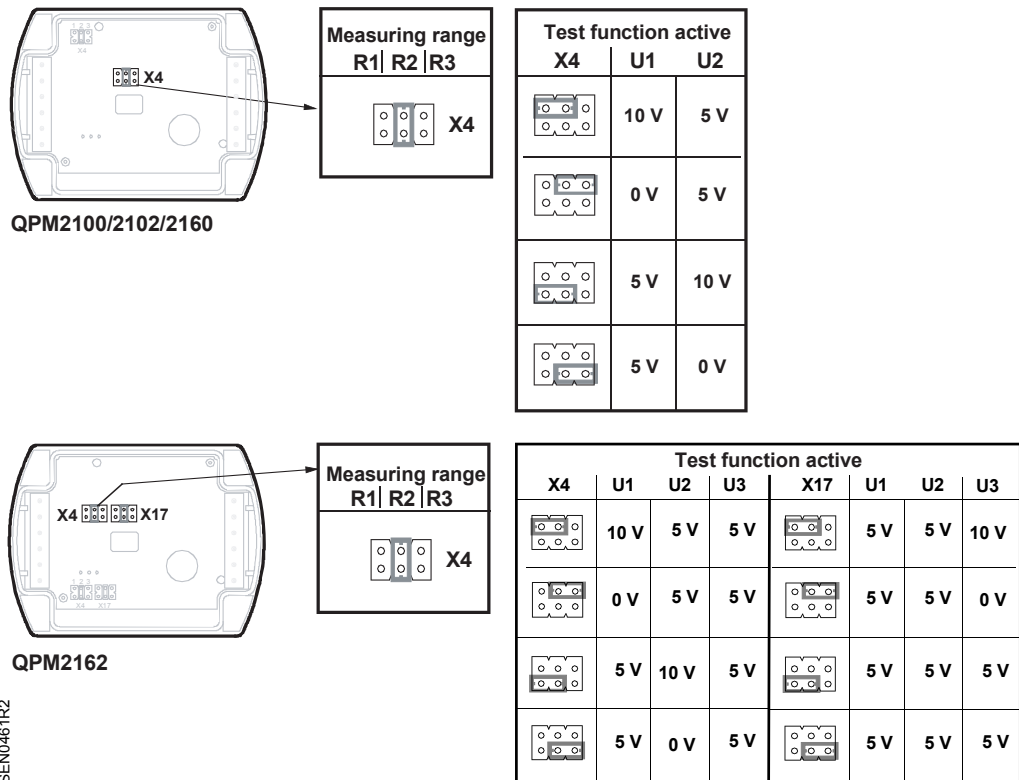


Figure 3.

NOTE: The setting elements are located inside the cover.

Measuring Range QPM2100	Meaning of the different jumper positions: <ul style="list-style-type: none"> • For the CO₂ measuring range: Jumper in the middle position (R2) = 0 to 2000 ppm (factory setting).
QPM2102	<ul style="list-style-type: none"> • For CO₂/VOC weighting: <ul style="list-style-type: none"> – Jumper in the upper position (R1) = VOC sensitivity "low". – Jumper in the middle position (R2) = VOC sensitivity "normal" (factory setting). – Jumper in the lower position (R3) = VOC sensitivity "high".
QPM2160 and QPM2162	<ul style="list-style-type: none"> • For the temperature measuring range: <ul style="list-style-type: none"> – Jumper in the upper position (R1) = -31°F to 95°F (-35 to 35°C). – Jumper in the middle position (R2) = 32°F to 122°F (0 to 50°C) (factory setting).
Active Test Function	Jumper for the measuring range in the horizontal position: The signal output delivers the values according to table "Test function active".
Fault All Models QPM2102	<ul style="list-style-type: none"> • In the event of CO₂ failure, 10V will be present at signal output U1 (after 60 seconds).
QPM2160	<ul style="list-style-type: none"> • In the event of CO₂ or VOC failure, 10V will be present at signal output U2 (after 60 seconds).
QPM2162	<ul style="list-style-type: none"> • If the temperature sensor becomes faulty, 0V will be present at signal output U2. • If the temperature sensor becomes faulty, 0V will be present at signal output U3, and the humidity signal at signal output U2 will increase to 10V (after 60 seconds). • If the humidity sensor becomes faulty, 10V will be present at signal output U2 (after 60 seconds), and the temperature signal will remain active.
Accessories	AQF3101 Filter cap (for replacement)
Engineering Notes	<ul style="list-style-type: none"> • The sensor must be powered by a transformer for Safety Extra Low-Voltage (SELV) with separate windings, suited for 100% duty. It must be sized and fused in compliance with local safety regulations. • When sizing the transformer, the power consumption of the sensor must be taken into consideration. For information about wiring, see the Technical Instructions of the devices with which the sensor is used. • Observe maximum permissible cable lengths.
Cable Routing and Selection	<ul style="list-style-type: none"> • When laying the cables, it should be considered that electrical interference increases the longer the cables run parallel and the smaller the distance between them. • Use shielded cables on applications with EMC problems. • For the secondary power lines and signal lines, use cables with twisted pairs.

Mounting Notes
Mounting Location and Orientation

- To ensure degree of protection IP54, mount the sensor with the cable entry pointing downward.
- Mount the sensor in a location where it can be easily accessed for service.
- If used in connection with steam humidifiers, the distance to the humidifier must be a minimum of 9.8 feet (3 m). If permitted by the installation, the distance should be as great as possible, but no more than 32.8 feet (10 m).
- Handle carefully; the sensing elements in the immersion rod are susceptible to impact and shock.
- The sensor must not be mounted in a ventilation application on top of a building (impact of solar radiation). To ensure correct operation, the sensor's ambient temperature must be between 23°F to 113°F (-5°C to 45°C).

Installation Instructions

Installation Instructions are included in the packaging.

Commissioning Notes

Check the sensor's functions 30 minutes after applying power.

- Checking the CO₂ function:
 In well-ventilated spaces, the sensor shows the CO₂ concentration of the outside air. Typically, this is 360 ppm (depending on the sensor's measuring accuracy). Also, a basic functional check can be made by exhaling on the sensor. Note that the sensor's rate of response has been purposely delayed (time constant t_{90} = 5 minutes).
- Checking the VOC function:
 Touch the sensor with a cotton ball dowsed in alcohol.

Ventilation should start when the preset switching level of the connected controller is reached.

Specifications

Operating voltage (SELV)	24 Vac \pm 20%
Frequency	50/60 Hz at 24 Vac
Power consumption	\leq 2 VA

Power supply

Cable length for measuring signal

Permissible cable length See the *Technical Instructions* of the device handling the signal

Functional data, CO₂

Measuring range (MV = measured value)	0 to 2000 parts per million (ppm)
Measuring accuracy @ 73°F (23°C) and 1013 hPa	$\leq \pm$ (50 ppm + 2% MV)
Temperature dependency in 23°F to 113°F (-5°C to 45°C) range	\pm 2 ppm/°C typically
Long-time drift	$\leq \pm$ 20 ppm per year
Time constant t_{90}	<5 minutes
Output signal, linear (terminal U1)	0 to 10 Vdc \cong 0 to 2000 ppm, maximum + 1 mA
Recalibration-free	8 years

Functional data, maximum selection of CO₂ and VOC with QPA2002 and QPA2002D	Measuring range VOC	0 to 2000 ppm
	VOC sensitivity	See Table 1
	Output signal, linear (terminal U2)	0 to 10 Vdc \cong 0 to 2000 ppm, maximum \pm 1 mA
	Response time, VOC signal t_{voc}	3 minutes/V
Functional data, rh with QPM2162	Range of use	0 to 95% rh (non-condensing)
	Measuring range	0 to 100% rh
	Measuring accuracy @ 73°F (23°C) and 24 Vac 0 to 30/70 to 95% rh 30 to 70% rh	\pm 5% rh \pm 3 rh (typically)
	Temperature dependency	\leq 0.1% rh/°C
	Time constant	Approximately 20 s in moving air
	Output signal, linear (terminal U2)	0 to 10 Vdc \cong 0 to 100% rh, maximum \pm 1 mA
	Functional data, temperature with QPM2160 and QPM2162	Environmental temperature range for electronics
Measuring range		32°F to 122°F (0°C to 50°C) (R2, R3) -31°F to 95°F (-35°C to 35°C) (R1)
Measuring element		NTC 10K Ω
Measuring accuracy 59°F to 95°F (15°C to 35°C) -31°F to 59°F/95°F 122°F (-35°C to 15°C/35°C to 50°C)		\pm 0.8 K \pm 1 K
Time constant		Approximately 20 s in moving air
Output signal, linear (terminal U2 or U3)		0 to 10 Vdc \cong 32°F to 122°F (0°C to 50°C)/-31°F to 95°F (-35°C to 35°C), maximum \pm 1 mA
Protective data		Degree of protection, housing
	Safety class	III to EN 60 730
Electrical connections	Screw terminals for	1 \times 12 AWG or 2 \times 16 AWG
	Transport Climatic conditions Temperature Humidity	-13°F to 158°F (-25°C to 70°C) < 95% rh
Materials and colors	Base	Polycarbonate, RAL 7001 (silver-gray)
	Cover	Polycarbonate, RAL 7001 (light-gray)
	Immersion rod	Polycarbonate, RAL 7001 (silver-gray)
	Filter cap	Polycarbonate, RAL 7001 (silver-gray)
	Mounting flange	PA66 – GF35 (black)
	Cable entry gland	PA, RAL 7035 (light-gray)
	Sensor (complete assembly)	Silicone-free
	Packaging	Corrugated cardboard

Standards	Electromagnetic compatibility Immunity (QPM2162) Immunity (QPM2100, QPM2102, QPM2160)	EN 61 000-6-1 EN 61 000-6-2
	Emissions	EN 61 000-6-3
Weight (including packaging)	CE conformity	EMC directive 89/336/EEC
	C conformity to Australian EM framework Radio Interference Emission Standard	Radio Communication Act 1992 AS/NZS 3548
	UL Listed	UL 873
	cUL Listed	Canadian Standard C22.2 No. 24-93
Weight (including packaging)	QPM2100, QPM2102 QPM2160, QPM2162	Approximately 8.71 oz (0.247 kg) Approximately 8.89 oz (0.252 kg)

Wiring Connections

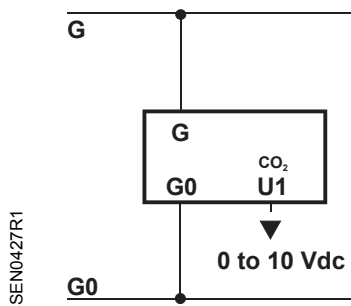


Figure 3. QPM2100.

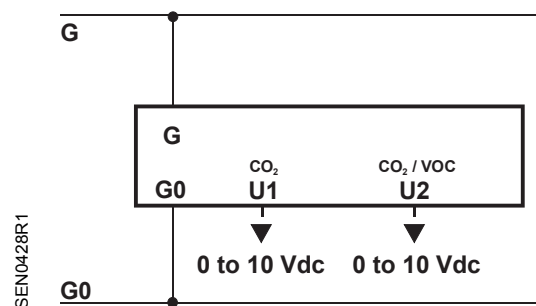


Figure 4. QPM2102.

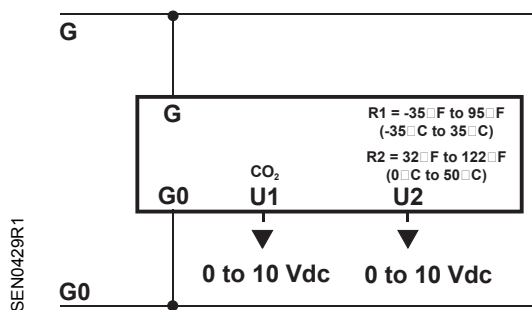


Figure 5. QPM2160.

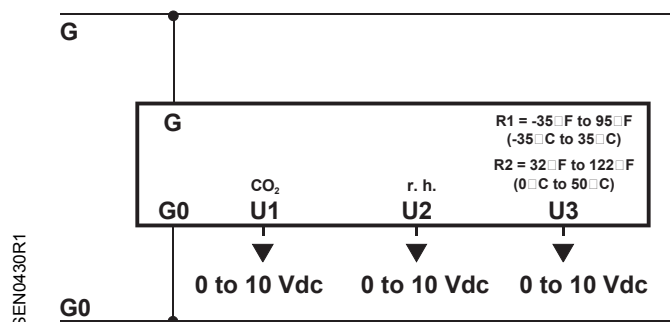


Figure 6. QPM2162.

- G, G0 System potential 24 Vac (SELV)
- G0 System neutral and measuring neutral
- U1 Signal output 0 to 10 Vdc
- U2 Signal output 0 to 10 Vdc
- U3 Signal output 0 to 10 Vdc

Dimensions

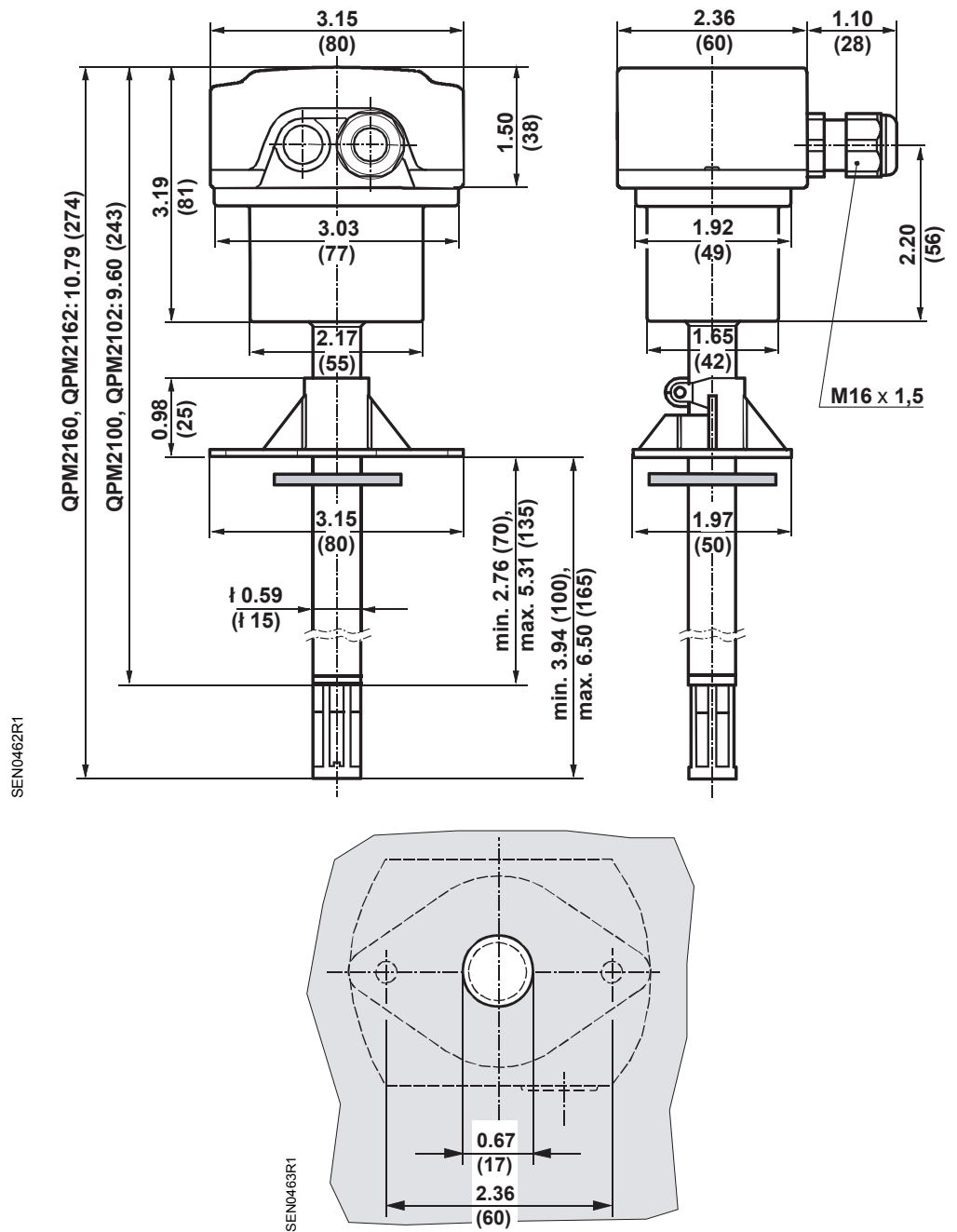


Figure 8. Dimensions in Inches (Millimeters).

Information in this publication is based on current specifications. The company reserves the right to make changes in specifications and models as design improvements are introduced. Products or company names mentioned herein may be the trademarks of their respective owners
 © 2007 Siemens Building Technologies, Inc.