

## OpenAir™ Weather Shield Kits

### Product Description

Kits provide additional protection for GCA, GBB, GIB, GMA and GEB OpenAir™ actuators in an outside installation.

### Contents

Weather shield, base plate with factory-installed insulation, anti-rotation (mounting) bracket:

ASK75.1U: 15 TEK self-drilling screws

ASK75.3U: 13 TEK self-drilling screws

### Product Numbers

ASK75.1U: GCA, GBB, GIB

ASK75.3U: GMA, GEB

### Required Tools

- 1/4-inch power nut driver

### Expected Installation Time

45 minutes

### Prerequisites

Refer to the installation instructions that come with the actuator for additional details on the function and wiring of the actuator.

Obtain appropriate outdoor electrical fittings needed for connection to the 1/2-inch knockout.

### Mounting Position

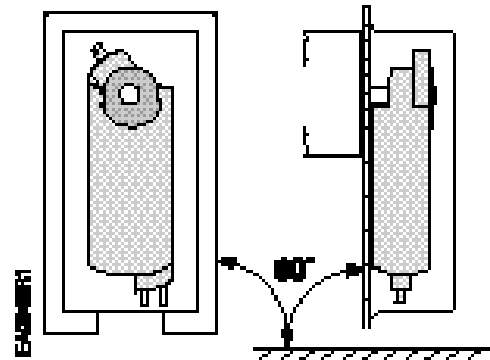


Figure 1. NEMA 3R Rating in this Mounting Position Only, for Both Models.

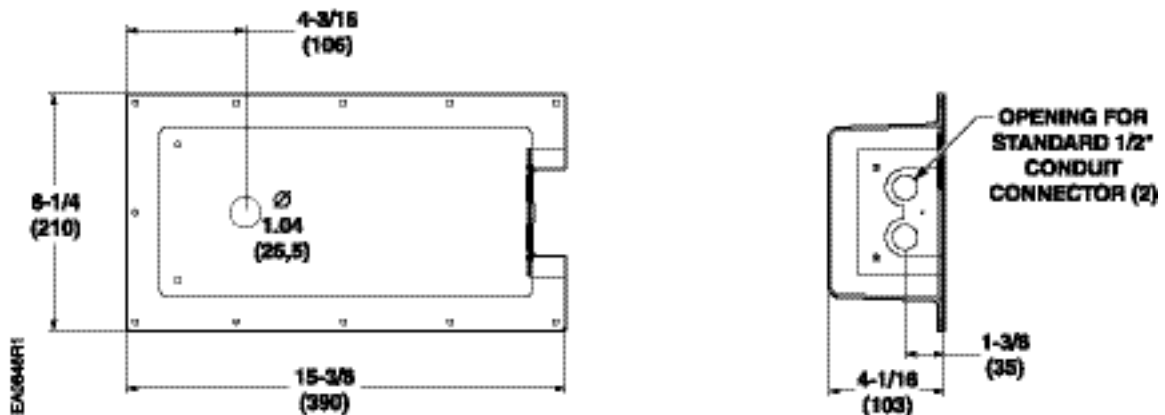


Figure 2. Dimensions of the ASK75.1U Weather Shield in Inches (Millimeters).

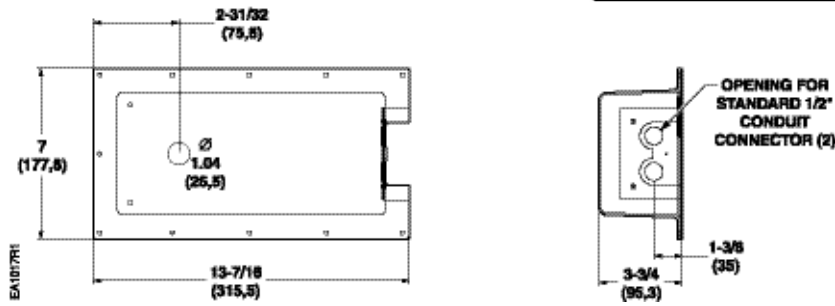


Figure 3. Dimensions of the ASK75.3U Weather Shield in Inches (Millimeters).

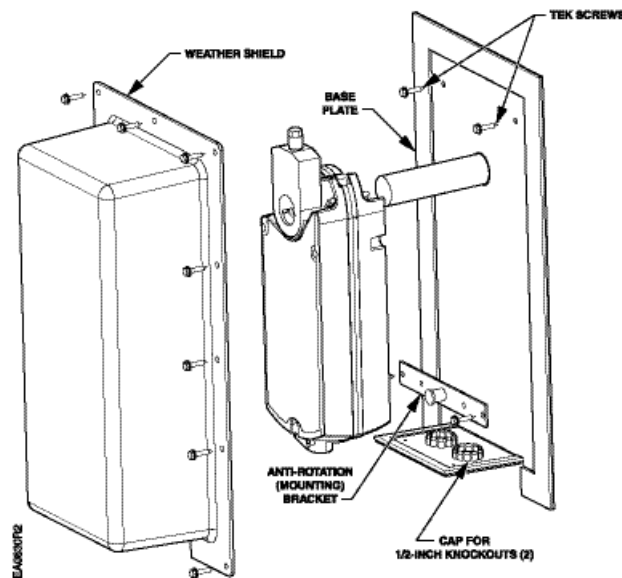


Figure 4. Mounting the Actuator in Weather Shield for Both Models.

### Installation

1. Center the base plate over the damper shaft.
  2. Use two TEK screws to hold the base plate to the damper for further assembly. See Figure 4.
  3. Remove the knockout cap(s) from the base plate.
  4. Attach the electrical fitting(s) and conduit to the base plate.
  5. Feed the actuator wires through the fitting(s) and conduit.
  6. Attach the actuator to the damper shaft using the instructions that come with the actuator, and secure the anti-rotation (mounting) bracket with two of the TEK screws.
  7. Holding the weather shield from the bottom, align the edges with the base plate.
  8. Apply light upward pressure to make a seal against the base plate.
  9. Starting at the top, use the remaining TEK screws to fasten the weather shield to the base plate.
  10. Complete the wiring at the junction box.
- The installation is complete.

Information in this publication is based on current specifications. The company reserves the right to make changes in specifications and models as design improvements are introduced. OpenAir™ is a registered trademark of Siemens Industry, Inc. Product or company names mentioned herein may be the trademarks of their respective owners. © 2009 Siemens Industry, Inc.