

SKB/C Weather Shield Assembly Kit

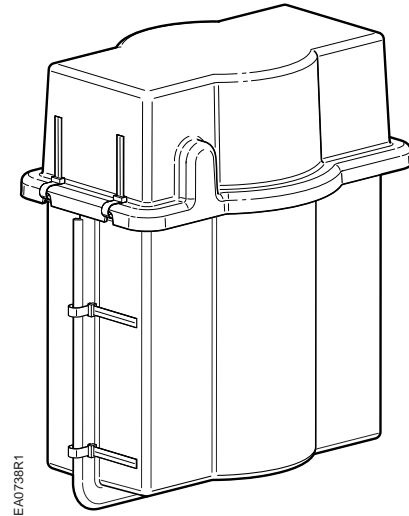


Product Description

The SKB/C Weather Shield provides additional protection against the elements for SKB/C actuators in outdoor installations. The polyethylene cover is easy to install, with all necessary hardware included in the assembly kit.

NOTES:

1. This unit is approved for outdoor installation only when a weatherproof conduit connector is used.
2. The SKB/C actuator is UL listed to meet NEMA Type 3R rating (a degree of protection against rain, sleet, and damage from external ice formation) when installed with this Weather Shield in the orientation shown in Figure 1.



Contents

Product Number	Description
—	SKB/C Weather Shield Cap
—	Weather Shield Side, Male
—	Weather Shield Side, Female
538-994	UV Resistant Cable Ties (8)

Product Number

599-10065

Installation Convention

CAUTION		Equipment damage, or loss of data may occur if the user does not follow procedure as specified.
----------------	--	---

Required Tools

- Diagonal cutters or utility knife

Expected Installation Time

15 minutes

Installation

(See Figure 2)



CAUTION:

Overtightening cable ties can damage the assembly.

1. Place the two Weather Shield sides around actuator, overlapping the female side with the male side. The valve will extend through the pre-cut opening in the Weather Shield's bottom.
2. Align holes in side flanges and secure with four of the cable ties provided in the kit.
3. Using diagonal cutters or a utility knife, carefully remove the polyethylene knockout piece from appropriate side of the Weather Shield cap to allow conduit to protrude from actuator.
4. Align holes in cap flanges with holes in the top of the Weather Shield side flanges and secure with remaining four cable ties.

The installation is now complete.

Mounting

The actuator and Weather Shield must be mounted vertically to ensure NEMA Type 3R rating.

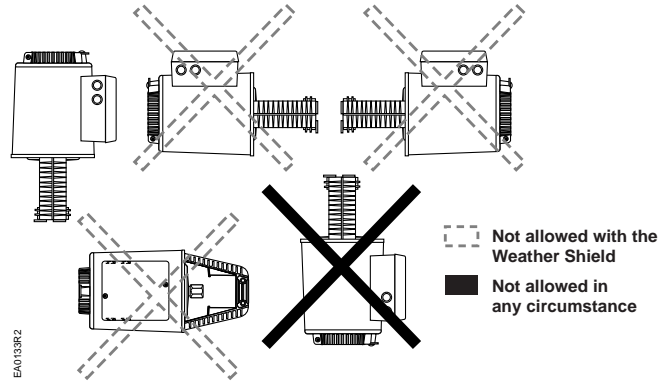


Figure 1. Acceptable Mounting Position.

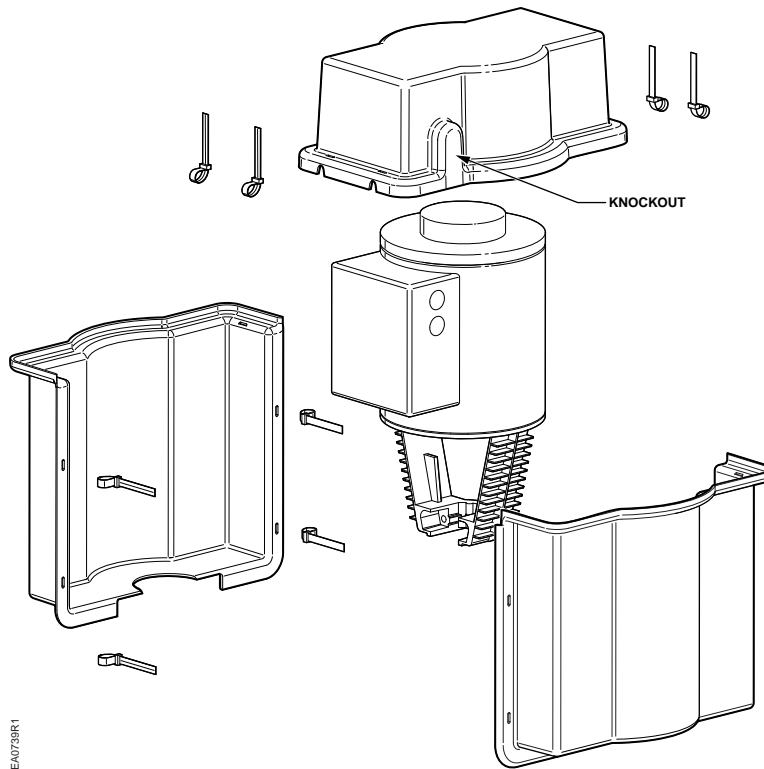


Figure 2. Weather Shield Installation.

Information in this publication is based on current specifications. The company reserves the right to make changes in specifications and models as design improvements are introduced. Product or company names mentioned herein may be the trademarks of their respective owners. © 2009 Siemens Industry, Inc.