

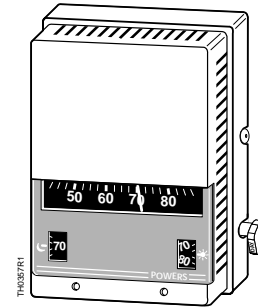
# SIEMENS



**Technical Instruction**  
**Document No. 155-067P25**  
**TH 192-3**  
Rev. 1, July, 1999

## Powers™ Controls

### TH 192 DN Day-Night and TH 192 DNV Day-Night-Vent Room Thermostat



#### Description

The TH 192 DN & DNV thermostats are proportional single output, dual set point, 2-pipe or 3-pipe (high air capacity) sensor controllers. Each thermostat includes a wall mounting plate for installation in a variety of rough-in terminal boxes. Sensitive bimetals respond to temperature change to modulate control air through a flapper nozzle. Two set point dials are provided. When the supply air pressure changes from 18 to 25 psi (124 to 172 kPa), the thermostat automatically switches from the day to the night set point respectively. Air connections are made with 5/32" (4 mm) OD plastic tubing, directly to the thermostat chassis for retrofit applications or with plug-in adapters (provided with the TH 192 rough-in terminal box or optional accessories) which slide into the wall mounting plate.

#### Features

- Direct and reverse acting for day and night modes (DN models)
- Two separate adjustable temperature set point indicating dials
- Two highly sensitive bimetal thermostatic elements
- Operating mode automatically switches from day to night on change of main air supply pressure
- Manual override selector ensures off-hour occupancy comfort
- Single screw adjustment for changeover switch set point
- Individual field adjustable sensitivity with graduated scale for each mode
- Integral field adjustable limit stops
- Control pressure test port accessible without removing cover
- Easily replaceable thermometer, set point dials, filters, and restrictor plate
- Fahrenheit or Celsius set point dials
- Covers available for concealed or exposed thermometers and for either concealed, key, or exposed knob adjustment and set point adjustment
- Standard plastic thermostat covers provide desert beige or white finish

## Optional Design Features

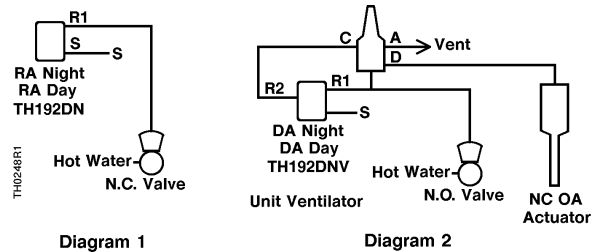
- Fixed temperature limit stops meet government specifications
- Metal covers available in standard configurations with a variety of finishes
- Competitor adapter mounting kits available
- All thermostat chassis available with optional 1/2" large set point adjustment knobs

## Application

TH 192 DN & DNV thermostats provide day to night (or weekend) temperature setback to control pneumatic valve and damper actuators in heating and cooling applications (Figure 1) such as air conditioners, space heaters, unit ventilators, and air volume controllers.

The day-night thermostat is particularly useful in locations where all rooms in a zone are not vacated at the same time. Using time clocks on evenings and weekends to reset the control system to the night mode ensures optimum energy management. When a zone is operating in maximum economy mode at night, an occupant can reset an individual space to day temperature by switching a manual override. During night control, the TH 192 DNV provides a separate output signal (full air supply) which allows ventilation to occur.

TH 192 DN & DNV thermostats maintain maximum economy and occupant comfort automatically as a day progresses from the day time set point (65 to 68°F, 18 to 20°C) to the night time set point (55 to 60°F, 13 to 16°C). The thermostats are available with covers that conceal or expose the set point adjustment dials.

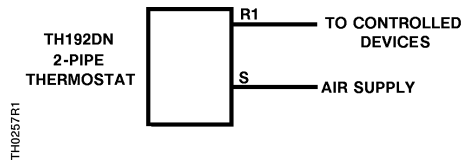


**Figure 1. Typical TH 192 DN & DNV Thermostat Applications.**

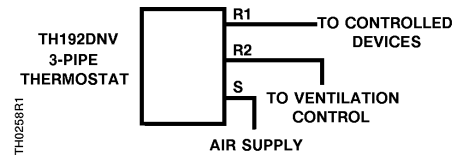
**Table 1. Typical TH 192 DNV Thermostat Application.**

| Chassis Port R2 Pressure | Operation Mode (Air Supply)  | Switching Relay Connection |
|--------------------------|------------------------------|----------------------------|
| 0 Psig (0 kPa)           | Day (S = 18 Psig, 124 kPa)   | B - D                      |
| 0 Psig (0 kPa)           | Night Occupied               | B - D                      |
| Full Air Supply          | Night (S = 25 Psig, 172 kPa) | A - D                      |

## Piping



**Figure 2. TH 192 DN Thermostat Connections.**



**Figure 3. TH 192 DNV Thermostat Connections.**

## Product Numbers and Ordering Information

### Chassis

See Table 2 for product number and ordering information on TH 192 DN & DNV thermostat chassis.

1. Is a Fahrenheit or Celsius scale required?
2. Is the day and night time control direct or reverse acting?
3. Is a separate, full supply output signal required for ventilation control?
4. Where is set point adjustment knob located?
  - a. Adjustment knob located at bottom of chassis.
  - b. Adjustment knob on front with 1/2" large exposed knob.

**Table 2. TH 192 DN & DNV Thermostat Chassis Part Numbers.**

| Chassis with Wall Plate |   |                            |                              |                            |                              |
|-------------------------|---|----------------------------|------------------------------|----------------------------|------------------------------|
| Connection Type         | Control Action                                  | Fahrenheit                 |                              | Celsius                    |                              |
|                         |   | Exposed at Bottom of Cover | Exposed 1/2" Knob on Cover * | Exposed at Bottom of Cover | Exposed 1/2" Knob on Cover * |
| Two or Three Pipe Relay | Day and Night are Direct Acting                 | 192-204                    | 192-204K                     | 192-224                    | 192-224K                     |
|                         | Day and Night are Reverse Acting                | 192-205                    | 192-205K                     | 192-225                    | 192-225K                     |
|                         | Day and Night are Direct Acting with Night Vent | 192-206                    | 192-206K                     | 192-226                    | 192-226K                     |

\* This feature requires a key set point adjustment cover (or key type cover). See Table 3.

Covers

See Table 3 for product number and ordering information on TH 192 DN & DNV thermostat covers.

1. Is the set point adjustment exposed for customer adjustment or concealed to prevent alteration of setting?
2. Is the thermometer exposed or concealed?
3. Is the set point indication exposed or concealed behind cover?
4. Is a plastic or zinc cast metal cover required?
  - a. Plastic covers order 192-2XX.
  - b. Metal covers order 192-3XX.
5. Is finish of cover standard or optional?
  - a. Standard cover is plastic, desert beige color.  
 For white plastic cover option, add "W" suffix code to cover part number (e.g., 192-256W).
  - b. Optional covers are plastic or metal and available in a variety of colors per Table 3.

**Table 3. TH 192 DN & DNV Thermostat Cover Part Numbers.**

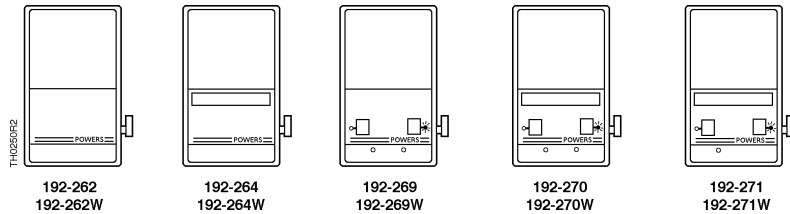
| Set Point Adjustment                          | Cover Configuration |                     | Cover Part Number<br>(See Note 2) |                      |
|---|---------------------|---------------------|-----------------------------------|----------------------|
|   | Thermometer         | Set Point Indicator | Standard Plastic Cover            | Standard Metal Cover |
| Concealed                                     | Concealed           | Concealed           | 192-262                           | 192-362              |
|   | Exposed             |                     | 192-264                           | 192-364              |
| Key<br>(See Note 1)                           | Concealed           | Exposed             | 192-269                           | 192-369              |
|   | Exposed             |                     | 192-270                           | 192-370              |
| Key (Night),<br>Exposed (Day)<br>(See Note 1) | Exposed             |                     | 192-271                           | 192-371              |

1. Key set point adjustment cover required for all thermostat chassis with optional 1/2" large set point adjustment knobs.
2. To order an optional thermostat cover finish, add the appropriate suffix letter listed in Table 4 to the end of the part number listed in Table 3.

**Table 4. TH 192 DN & DNV Thermostat  
Suffix Letters for Optional Cover Part Numbers.**

**NOTE:** For color samples, order color reference guide 152-178P10.

| Part Number Suffix Letter | Cover Material     | Cover Finish             | Part Number Suffix Letter | Cover Material   | Cover Finish                        |
|---------------------------|--------------------|--------------------------|---------------------------|------------------|-------------------------------------|
| None                      | Plastic (standard) | Desert Beige             | D                         | Metal (optional) | #10 Special Bronze                  |
| W                         | Plastic (optional) | White                    | E                         |                  | Brushed Electro-plated Satin Chrome |
| None                      | Metal (standard)   | Desert Beige             | F                         |                  | Sierra Gold                         |
| A                         | Metal (optional)   | #1 Silver                | G                         |                  | Brushed Aluminum                    |
| B                         |                    | #5 Satin Chrome          | H                         |                  | White                               |
| C                         |                    | #7 Light Statuary Bronze |                           |                  |                                     |



**Specifications**

|                                   |                                 |
|-----------------------------------|---------------------------------|
| Control action                    | See Table 2.                    |
| Operating ranges                  | 45 to 85°F (7 to 30°C)          |
| Supply air pressure, maximum      | 30 psi (207 kPa)                |
| Normal air supply pressure        |                                 |
| Day                               | 18 psi (124 kPa)                |
| Night                             | 25 psi (172 kPa)                |
| Sensitivity adjustment            | 1 to 4 psi/°F (12 to 50 kPa/°C) |
| Nominal air consumption, two-pipe | 25 scim (6.8 ml/sec)            |
| Temperature                       |                                 |
| Storage temperature               | -10 to 140°F (-23 to 60°C)      |
| Ambient operating temperature     | 40 to 140°F (4 to 60°C)         |
| Temperature response              | 0.1°F (0.06°C)                  |
| Dial graduations                  | 2°F (1°C)                       |
| Factory settings                  |                                 |
| Calibration @ 72°F (22°C)         | 7.5 psi (52 kPa)                |
| Sensitivity                       | 2.5 psi/°F (31 kPa/°C)          |
| Limit stop adjustment             | 45 and 85°F (7° and 30°C)       |
| Standard cover                    | Cyclac, desert beige            |
| Shipping weight                   | 0.7 lbs. (0.3 kg)               |
| Dimensions                        | See Figure 4.                   |

## Accessories

See the following Technical Bulletins for information on accessories.

| Technical Bulletin            | Document Number |
|-------------------------------|-----------------|
| TB 237 Terminal Kits          | 155-244         |
| TB 213 Aspirator Wall Box Kit | 155-245         |
| TB 214 Adapter Kits           | 155-231         |
| TB 193 Guard Kit              | 155-222         |
| TB 241 Test Head Kit          | 155-255         |
| TB 167 Restrictors            | 155-213         |

## Dimensions

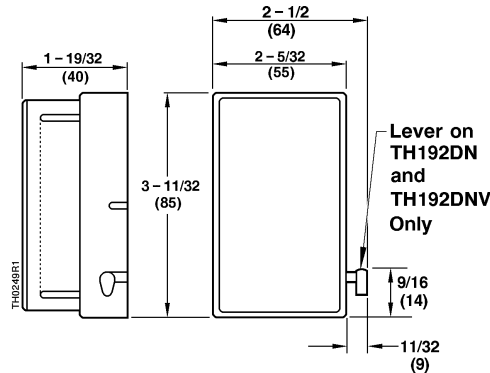


Figure 4. TH 192 DN & DNV Dimensions in Inches (Millimeters).

## Operation

### Day-Night Operation

The TH 192 DN thermostat is either direct or reverse acting for both day and night operating modes. In a direct acting thermostat, an increase in temperature increases the control air pressure and a decrease in temperature decreases the control pressure. In a reverse acting thermostat, an increase in temperature decreases the control air pressure and a decrease in temperature increases the control pressure.

The TH 192 DN provides two separate bimetal elements; one for day temperature and one for night temperature. Each bimetal element operates independently of the other. Use of two different supply air pressures accomplishes changeover from day to night temperature. A supply pressure of 18 psi (124 kPa) or 25 psi (172 kPa) positions a changeover switch so a changeover relay operates in the day or night mode respectively.

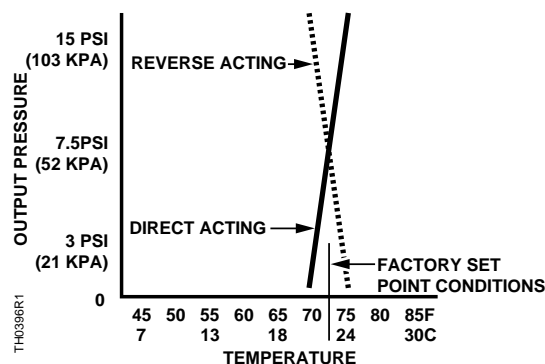


Figure 5. TH 192 DN & DNV Input/Output Characteristics.

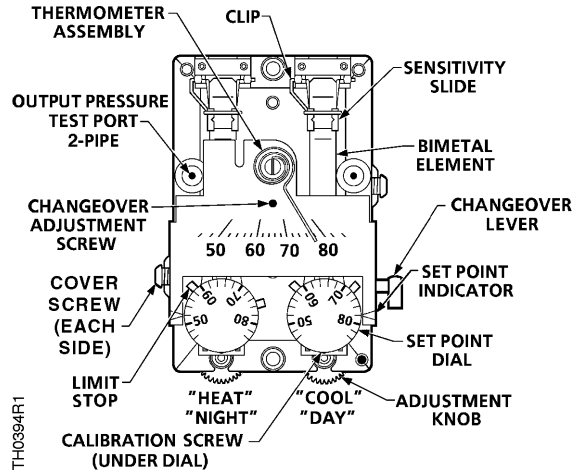
- Manual Selector Switch      A manual selector switch allows an individual thermostat to control at its day setting even though the remainder of the system is controlling at its night setting.
- In the normal AUTO position, the manual selector switch does not interfere with air passage to the changeover relay.
  - To manually set the selector switch to the DAY position, push selector in until it latches and the handle points downward. In the latched DAY position, the manual selector switch seals off air to the changeover relay.
  - To manually reset the selector switch, rotate the handle until it unlatches and returns to the normal AUTO position.
  - Manual Selector Switch resets automatically when supply pressure changes back to day time control.

Day-Night-Vent Operation      The TH 192 DNV provides a supplementary air line connection at the back of the thermostat.

**NOTE:** This third line feature cannot be added to a TH 192 DN in the field.

The vent line provides either 0 or 25 psi (0 or 172 kPa) pressure via the manual selector switch to pilot auxiliary controls. For example, a unit ventilator can provide continuous full day operation when the space is occupied and intermittent night operation when the space is unoccupied.

## TH 192 DN & DNV Thermostat Details



**Figure 6. TH 192 DN & DNV Thermostat Details.**

### Thermometer Calibration

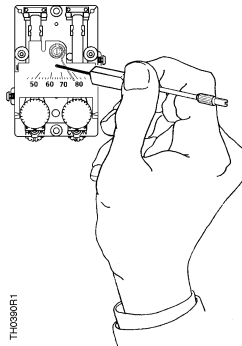
1. Use a test thermometer to read the current room temperature.
2. Place a screwdriver in the center of the thermometer assembly (Figure 6). Carefully rotate thermometer assembly until pointer tip indicates the correct room temperature.

**NOTE:** Avoid breathing on or touching the bimetal spiral since this influences the temperature reading.

## Changeover Point Adjustment

The changeover point is factory set to occur between 19 and 22 psi (131 and 152 kPa). The changeover point can be field adjustable to occur between 14 and 22 psi (96 and 152 kPa).

1. Connect pressure gauge or manometer to measure supply pressure to thermostat. Use 30 psi (207 kPa) supply through a positioning switch so pressure can be fully variable.
2. Determine current change over point. Turn day dial so day and night control pressures are different. Then note the changeover point on the control gauge as the supply pressure changes.
3. Remove thermometer for access to changeover adjust screw. Use a 1/16" Allen Hex Key to adjust changeover adjust screw as follows:
  - a. If changeover is too high, turn off supply pressure and rotate changeover adjust screw clockwise. One turn decreases changeover point by about 3 psi (20 kPa). Turn on supply pressure and recheck to verify new changeover point.
  - b. If changeover is too low, turn off supply pressure and rotate changeover adjust screw counterclockwise. One turn increases changeover point by about 3 psi (20 kPa). Turn on supply pressure and recheck to verify new changeover point.



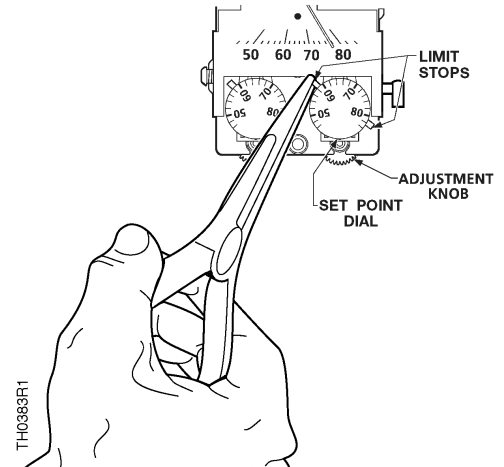
**Figure 7. Changeover Point Adjustment.**



### Limit Stop Adjustment

Thermostat limit stops define the minimum and maximum thermostat set points. The limit stops engage in the set point cam gear teeth and cause interference between the set point cam gear and the adjustment knob gear.

To change limit stop settings, use needle nose pliers to pull limit stop between the set point cam gear teeth. Rotate limit stop to its new position. Do not pull limit stop any more than necessary to clear the gear teeth. Changing the limit stop position one gear tooth changes the limit stop setting by 1-1/3°F (0.7°C).



**Figure 8. TH 192 DN & DNV Limit Stop Adjustments.**

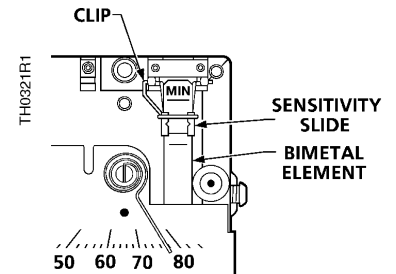
### Sensitivity Adjustment

To change thermostat sensitivity, use a flat blade screwdriver to carefully move the sensitivity slide to the desired position as follows:

Graduation closest to the rigid end of the bimetal element  
4 psi/°F  
(50 kPa/°C)



Graduation closest to the minimum (MIN) end of the bimetal element  
1 psi/°F  
(12 kPa/°C)



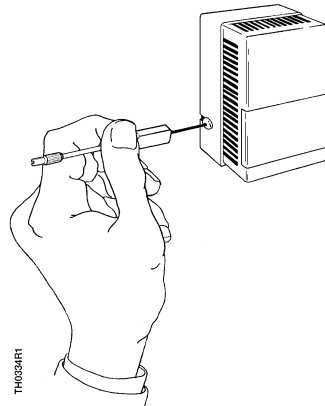
**Figure 9. TH 192 DN & DNV Sensitivity Adjustment.**

**NOTE:** If the thermostat sensitivity is adjusted, the thermostat must be recalibrated.

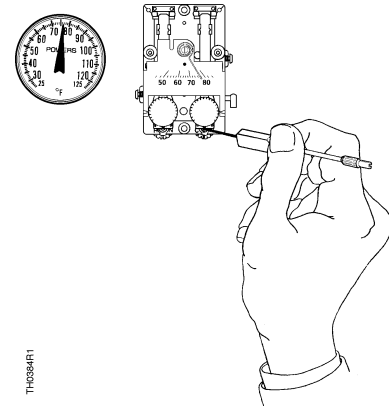
### Thermostat Calibration

The thermostat is factory calibrated to a control pressure of 7.5 psi (52 kPa) when the set point and the ambient temperature are both at 72°F (22°C). The factory sensitivity setting is approximately 2.5 psi/°F (31 kPa/°C). No adjustments are required if these settings are appropriate for the application. If the thermostat has been tampered, the sensitivity changed, or is out of adjustment, use the following steps to re-calibrate the instrument.

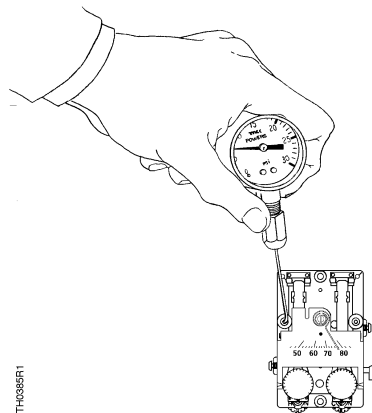
## Day Time Calibration



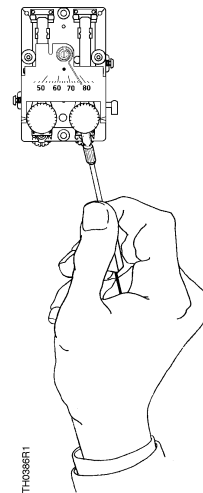
**Step 1 —**  
Remove cover using 192-632 calibration tool. Verify room temperature is between 70 and 80°F (21 and 27°C).



**Step 2 —**  
Verify that supply pressure is 18 psi (124 kPa). Set day time dial to room temperature by turning the exposed adjustment knob or using a hex key as shown. Allow thermostat to stand for about five minutes to adjust to the new setting.

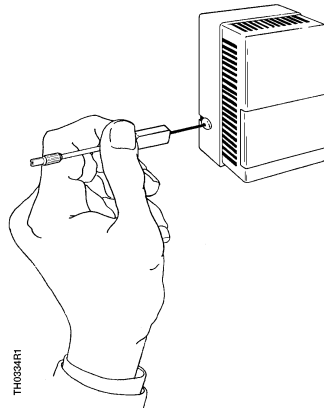


**Step 3 —**  
Moisten needle and insert 192-633 test gauge and needle adapter in the test port. Read control pressure.



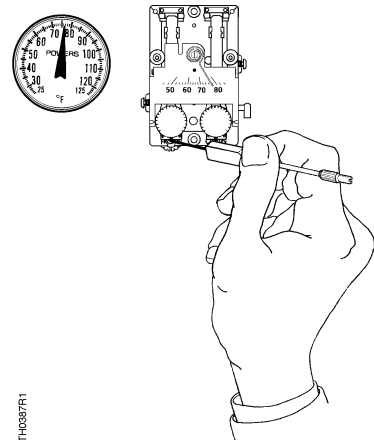
**Step 4 —**  
If control pressure does not read 7 to 8 psi (48 to 55 kPa), turn calibration screw using 192-632 calibration tool or 1/8" (3.2 mm) wrench until pressure is 7 to 8 psi (48 to 55 kPa). The sensing element is now in calibration and the set point can be changed to the desired room temperature.

Night Time Calibration



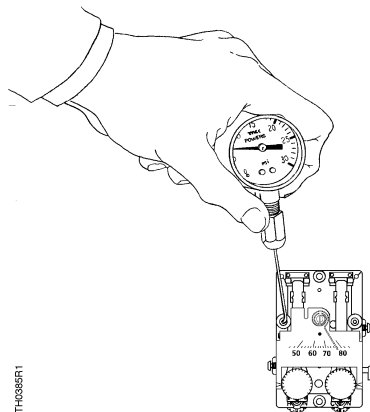
**Step 1 —**

If not already done, remove cover using 192-632 calibration tool. Verify room temperature is between 70 and 80°F (21 and 27°C).



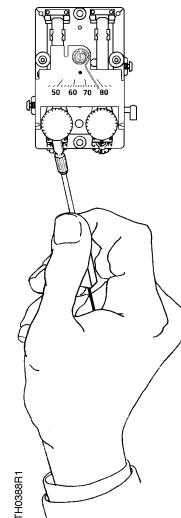
**Step 2 —**

Verify that supply pressure is 25 psi (172 kPa). Set night time dial to room temperature by turning the exposed adjustment knob or using a hex key as shown. Allow thermostat to stand for about five minutes to adjust to the new setting.



**Step 3 —**

Moisten needle and insert 192-633 test gauge and needle adapter in the test port. Read control pressure.



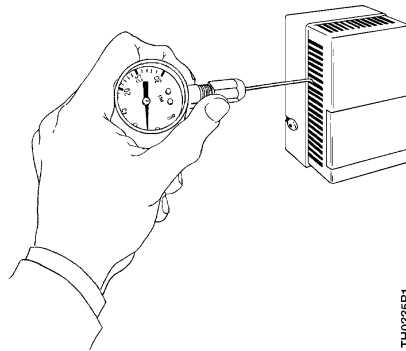
**Step 4 —**

If control pressure does not read 7 to 8 psi (48 to 55 kPa), turn calibration screw using 192-632 calibration tool or 1/8" (3.2 mm) wrench until pressure is 7 to 8 psi (48 to 55 kPa). The sensing element is now in calibration and the set point can be changed to the desired room temperature.

## Troubleshooting

Before troubleshooting thermostat per Table 5, make certain there is clean dry supply air at 18 psi (124 kPa) for day control and 25 psi (172 kPa) for night. Use test probe gauge and needle adapter to measure control pressure at thermostat test port.

The output pressure test port is accessible without removing the thermostat cover through the 8th opening from the top left side.



**Figure 10. Accessing Output Pressure Test Port.**

**Table 5. Troubleshooting Guide.**

| Problem  | Check                             | Cause   | Action   |
|--|-----------------------------------|---|--|
| Control pressure stays at approximately zero                       | Air supply                        | Low supply pressure   | As required  |
|  | Nozzle or flapper                 | Dirt on nozzle or flapper                                       | Clean nozzle or replace thermostat                                   |
|  | Restrictor                        | Clogged restrictor  | Replace restrictor   |
|  | Calibration                       | Out of calibration  | Recalibrate  |
| Control pressure stays at approximately supply pressure            | Nozzle                            | Clogged nozzle  | Clean nozzle or replace thermostat                                   |
|  | Calibration                       | Dirt on either supply or exhaust valve seat                     | Alternately close and open nozzle by gently pushing down the bimetal |
| Excessive air leakage from exhaust port on left side of thermostat | Supply and return line connection | Connections are interchanged or connection to port is incorrect | As required  |

## Chassis Tube Connector and Restrictor Plate Replacement

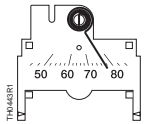
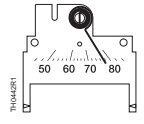

1. Remove thermostat chassis from wall. Terminal does not have a ball check valve.
- NOTE:** You must close off the supply air. For example, use a connector with the supply air terminal plugged.
2. Remove two Phillips head screws from connector on back of thermostat chassis. Pull connector out of recess. If necessary, pry connector loose with a screw driver, but be careful not to damage restrictor plate and gasket.
  3. Remove gasket from under connector. Remove restrictor. Remove second gasket from under restrictor.
  4. Use restrictor replacement kit 192-321 to replace gasket, restrictor, and second gasket.
- NOTE:** The restrictor plate is keyed to ensure proper orientation during installation.
5. Remove filters from existing connector and insert in new connector. Or, if filters are dirty, use restrictor replacement kit 192-321 to replace filters.
  6. Use chassis tube connector replacement kit 192-525 to replace connector and mounting screws.

## Service Parts

The following chart lists accessory parts and tools available for thermostat service.

| Description  | Part Number |
|--|-------------|
| Dial thermometer (-40 to 140°F, -40 to 60°C) with pocket case                                      | 141-0573    |
| Basic pneumatic calibration kit with thermometer, gauge, squeeze bulb, fittings, and case          | 832-177     |
| Test head kit  | 832-179     |
| Calibration tools  | 832-178     |
| Test probe to check pressure with cover on   |             |
| Needle probe with 1-1/2" diameter gauge 0-30 psig (0-200 kPa) and calibration/cover wrench         | 192-633     |
| Needle probe, no gauge (package of five)   | 192-759     |
| 1-1/2" diameter gauge, 0-200 kPa, back connected 1/8" NPT male                                     | 142-0344    |
| 1-1/2" diameter compound gauge, 0-30 psig/0-200 kPa, back connected 1/8" NPT male                  | 142-0373    |
| 1-1/2" diameter compound gauge, 0-30 psig/0-200 kPa, bottom connected 1/8" NPT male.               | 142-0426    |
| Replacement for use with 192-633   |             |
| Chassis tube connector replacement kit with mounting screws (material for 10 thermostats included) | 192-525     |
| Restrictor plate replacement kit with filters and gasket (material for 10 thermostats included)    | 192-321     |

**Service Parts  
 (Continued)**

| Description   |  | Part Numbers  |         |
|---|--|---|---------|
| Plug-in adapters for quick thermostat removal   |  |   |         |
| Straight, blue (package of 20)  |  | 192-485   |         |
| Straight, white (package of 20)   |  | 192-486   |         |
| Air link connects adapters for pressure tests (package of 20)   |  | 192-501   |         |
| Compression ring (package of 100)   |  | 141-388   |         |
| Elbow (provides quick return for wall surface mounting), blue (package of 20)                                     |  | 192-487   |         |
| Elbow (provides quick return for wall surface mounting), white (package of 20)                                    |  | 192-488   |         |
| 20 scim (5.4 ml/sec) restrictors for 1-pipe systems (package of 5). (1/4", 6.4 mm, OD plastic barb unless noted.) |  |   |         |
| Brass coupling, 1/8" NPT (1 only).  |  | 184-040   |         |
| Coupling  |  | 184-116   |         |
| Tee   |  | 184-113   |         |
| Pre-piped dual tee for dual 1-pipe systems  |  | 184-130   |         |
| Replacement thermometer kits, brown (packages of 5)   |  |   |         |
| <b>Scale Range</b>  | <b>Thermostat Model</b>  |   |         |
| 45° to 85°F   | <br>Model 3 and Up | 192-775   |         |
| 10° to 30°C   |  | 192-776   |         |
| 45° to 85°F   | <br>Models 1 and 2 | 192-786   |         |
| 10° to 30°C   |  | 192-785   |         |
| Replacement set point dials (packages of 10)  |  |   |         |
| °F, Direct Acting   | Right Side   |  | 192-779 |
| °F, Reverse Acting  |  |   | 192-780 |
| °C, Direct Acting   |  |   | 192-783 |
| °C, Reverse Acting  |  |   | 192-784 |
| °F, Direct Acting   | Left Side  |   | 192-777 |
| °F, Reverse Acting  |  | 192-778   |         |
| °C, Direct Acting   |  | 192-781   |         |
| °C, Reverse Acting  |  | 192-782   |         |

Information in this publication is based on current specifications. The company reserves the right to make changes in specifications and models as design improvements are introduced. © 1999 Siemens Corporation