



Thermostatically operated cooling water valves Type AVTA

Features



AVTA

- Insensitive to dirt
- Insensitive to water pressure
- Needs no power supply - self acting
- Opens on rising sensor temperature
- Differential pressure: 0 to 10 bar
- Max. working pressure: 16 bar
- Max. test pressure: 25 bar
- Max. pressure on sensor: 25 bar
- Stainless Steel version available
- The valves are pressure-relieved, i.e. the degree of opening is not affected by differential pressure Δp (pressure drop).
- The regulation range is defined for the point at which the valve begins to open.

Introduction

Thermostatically operated valves are used for the infinite, proportional regulation of flow quantity, depending on the setting and the sensor temperature.

The Danfoss range of thermostatic valves includes a series of industrial products for both refrigeration and heating regulation. The valves are self-acting, i.e. they operate without the supply of auxiliary energy such as electricity or compressed air.

Because the valves constantly match flow quantity to demand, they are especially suitable for temperature regulation.

The required temperature is maintained constant with no overconsumption of:

- cooling water in cooling systems,
- hot water or steam in heating systems.

Contents

| | Page |
|------------------------------|------|
| How it works | 2 |
| Materials | 2 |
| AVTA for neutral media | 3 |
| Ordering | 4 |
| Dimensions and weights | 4 |
| AVTA SS for aggressive media | 5 |
| Ordering | 6 |
| Dimensions | 6 |
| Installation | 7 |
| Sensor installation | 7 |
| Spare parts and accessories | 8 |
| Sizing | 9 |
| Diagrams | 10 |
| Options | 11 |

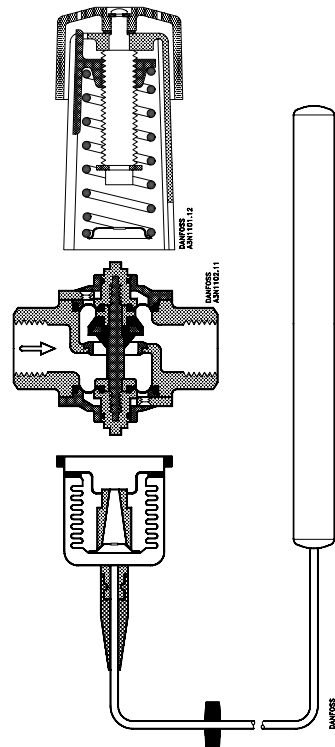
How it works

Thermostatic valves consist of three main elements:

- Setting section with knob, reference spring and setting scale.

- Valve body with orifice, closing cone and sealing elements.

- Hermetically sealed thermostatic element with sensor, bellows and charge.



When the three elements are built together, the valve is installed and the sensor is located at the point where the temperature is to be regulated, the function sequence is as follows:

1. A temperature-dependent pressure - charge vapour pressure - builds up in the sensor.
2. This pressure is transferred to the valve via the capillary tube and bellows and acts as an opening or closing force.
3. The knob on the setting section and the spring exert a force that acts counter to the bellows.

4. When balance is created between the two opposing forces, the valve spindle remains in its position.

5. If the sensor temperature - or the settings - is changed, the point of balance becomes displaced and the valve spindle moves until balance is re-established, or the valve is fully open or closed.

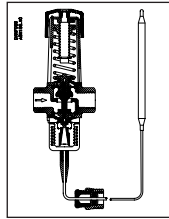
6. On sensor temperature change, the flow quantity change is approximately proportional.

The illustrations show an AVTA cooling water valve, but the function principle applies to all types of thermostatic valves.

Materials

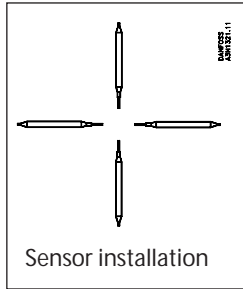
| No. | Description | Material |
|-----|----------------------------------|---|
| 1 | Spindle | Brass W.no. 2.0401 |
| 2 | Diaphragms | Rubber - ethylene - propylene (EPDM). |
| 3 | Valve body and other metal parts | Forged brass W.no. 2.0402 |
| 4 | Valve cone | Nitrile rubber (NBR) |
| 5 | Valve seat | Stainless steel W.no. 1.4305/AISI 303 |
| 6 | Sensor | Copper W.no. 2.0090 |
| 7 | Capillary tube gland | Nitrile rubber (NBR) Brass W.no. 2.0321 / 2.0401 |

Ordering
AVTA with adsorption charge



- Wide regulating range
- Can be installed in any position as far as orientation and - temperature are concerned
- Withstands up to +130°C sensor temperature
- Small sensor dimensions
- Ø 9,5 x 160 mm
- Max. pressure on sensor 25 bar.

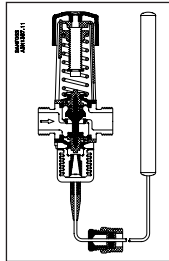
The charge consists of active carbon and CO₂ which is adsorbed on falling sensor temperature and thereby produce pressure changes in the element.



| Connection | Regulating range [°C] | Max.temp. sensor [°C] | k _v value (m ³ /h at Δp = 1 bar) | Capillary tube length [m] | Type | Code no. ¹⁾ |
|------------|-----------------------|-----------------------|--|---------------------------|---------|------------------------|
| G 3/8 | +10 to +80 | 130 | 1.4 | 2.3 | AVTA 10 | 003N1144 |
| G 1/2 | | | 1.9 | | AVTA 15 | 003N0107 |
| G 3/4 | | | 3.4 | | AVTA 20 | 003N0108 |
| G 1 | | | 5.5 | | AVTA 25 | 003N0109 |

¹⁾ Code no. covers complete valve incl. capillary tube gland. Immersion pockets, see "Spare parts and accessories", page 8.

Ordering
AVTA with universal charge

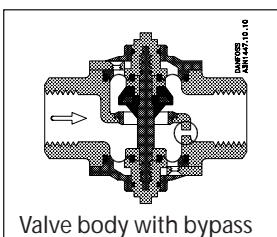


- Sensor dimensions Ø 18 x 210 mm
- Sensor can be installed colder or warmer than the valve
- Sensors must be orientated as shown in sketch below
- Max. pressure on sensor 25 bar.

The charge is liquid/gas where the liquid surface (regulating point) is always inside the sensor. Wich charge medium is used depends on the temperature range.

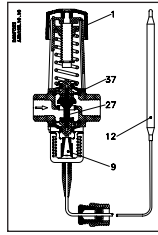


| Connection | Regulating range [°C] | Max.temp. sensor [°C] | k _v value (m ³ /h at Δp = 1 bar) | Capillary tube length [m] | Type | Code no. ¹⁾ |
|------------|-----------------------|-----------------------|--|---------------------------|---------|------------------------|
| G 3/8 | +0 to +30 | 57 | 1.4 | 2.0 | AVTA 10 | 003N1132 |
| G 1/2 | | | 1.9 | | AVTA 15 | 003N2132 |
| G 3/4 | | | 3.4 | | AVTA 20 | 003N3132 |
| G 1 | | | 5.5 | | AVTA 25 | 003N4132 |
| G 3/8 | +25 to +65 | 90 | 1.4 | 2.0 | AVTA 10 | 003N1162 |
| G 1/2 | | | 1.9 | 2.0 | AVTA 15 | 003N2162 |
| G 1/2 | | | 1.9 | 2.0 (armoured) | AVTA 15 | 003N0041 |
| G 3/4 | | | 3.4 | 2.0 | AVTA 20 | 003N3162 |
| G 3/4 | | | 3.4 | 5.0 | AVTA 20 | 003N3165 |
| G 3/4 | | | 3.4 | 2.0 (armoured) | AVTA 20 | 003N0031 |
| G 1 | | | 5.5 | 2.0 | AVTA 25 | 003N4162 |
| G 1 | | | 5.5 | 2.0 (armoured) | AVTA 25 | 003N0032 |
| G 1 | | | 5.5 | 5.0 | AVTA 25 | 003N4165 |
| G 3/8 | | | +50 to +90 | 125 | 1.4 | 2.0 |
| G1/2 | 1.9 | 2.0 | | | AVTA 15 | 003N2182 |
| G 3/4 | 3.4 | 2.0 | | | AVTA 20 | 003N3182 |
| G 1 | 5.5 | 2.0 | | | AVTA 25 | 003N4182 |
| G 1 | 5.5 | 3.0 | | | AVTA 25 | 003N4183 ²⁾ |



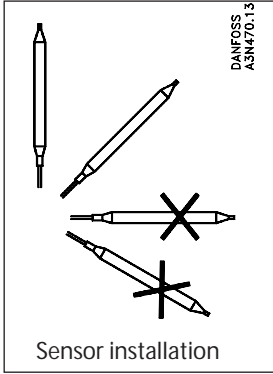
¹⁾ Code no. covers complete valve incl. capillary tube gland. Immersion pockets, see "Spare parts and accessories", page 8.
²⁾ A Ø 2 mm bypass is drilled in the valve body.

Ordering
AVTA with mass charge



- Small sensor dimensions
- Ø 9,5 x 190 mm
- Short time constant
- Sensor must always be installed warmer than the valve
- Max. pressure on sensor 25 bar

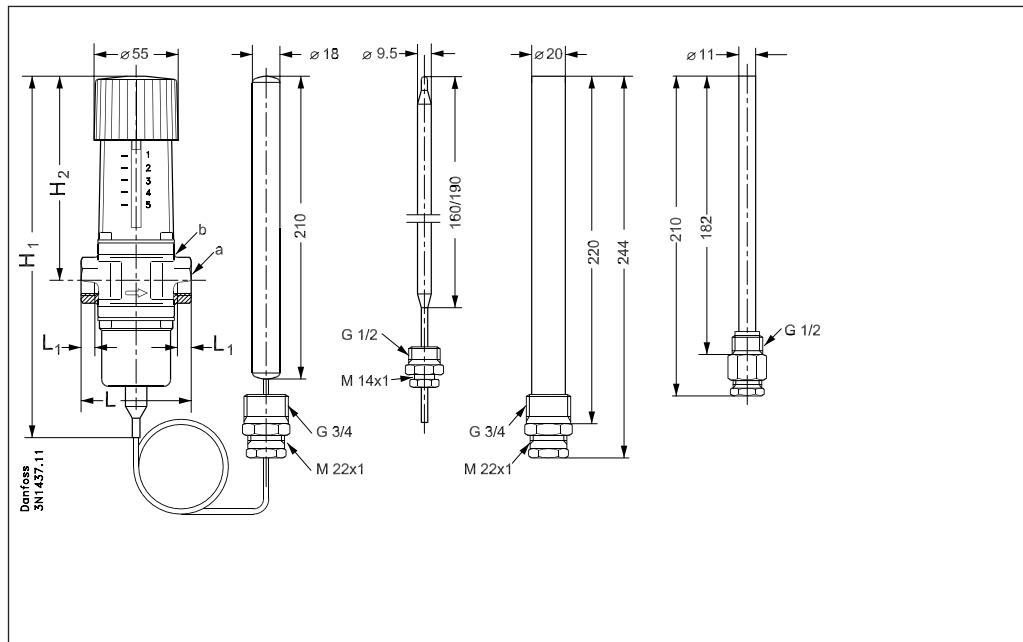
The charge is liquid/gas. Because of the volumetric conditions the liquid surface (regulation point) can be either in the sensor or the bellows, depending on the temperature conditions.



| Connection | Regulating range [°C] | Max. temp. sensor [°C] | k_v value (m ³ /h at $\Delta p = 1$ bar) | Capillary tube length [m] | Type | Code no. ¹⁾ |
|------------|-----------------------|------------------------|---|---------------------------|---------|------------------------|
| G 1/2 | +0 to +30 | 57 | 1.9 | 2.0 | AVTA 15 | 003N0042 |
| G 3/4 | | | 3.4 | | AVTA 20 | 003N0043 |
| G 1/2 | +25 to +65 | 90 | 1.9 | 2.0 | AVTA15 | 003N0045 |
| G 1/2 | | | 1.9 | 2.0 (armoured) | AVTA 15 | 003N0299 |
| G 1/2 | | | 1.9 | 5.0 | AVTA 15 | 003N0034 |
| G 3/4 | | | 3.4 | 2.0 | AVTA 20 | 003N0046 |
| G 1 | | | 5.5 | 2.0 | AVTA 25 | 003N0047 |

1) Code no. covers complete valve incl. capillary tube gland.

Dimensions and weights



| Type | H ₁ [mm] | H ₂ [mm] | L [mm] | L ₁ [mm] | a | b [mm] | Weight [kg] |
|---------|---------------------|---------------------|--------|---------------------|-------|--------|-------------|
| AVTA 10 | 240 | 133 | 72 | 14 | G 3/8 | ○ 27 | 1.45 |
| AVTA 15 | 240 | 133 | 72 | 14 | G 1/2 | ○ 27 | 1.45 |
| AVTA 20 | 240 | 133 | 90 | 16 | G 3/4 | ○ 32 | 1.50 |
| AVTA 25 | 240 | 138 | 95 | 19 | G 1 | ○ 41 | 1.65 |

Features



AVTA SS for aggressive media.

- Insensitive to dirt
- Insensitive to water pressure
- Needs no power supply - self acting
- Opens on rising sensor temperature
- Differential pressure: 0 to 10 bar
- Max. working pressure: 16 bar
- Max. test pressure: 25 bar
- Max. pressure on sensor: 25 bar
- The valves are pressure-relieved, i.e. the degree of opening is not affected by differential pressure Δp (pressure drop).
- The regulation range is defined for the point at which the valve begins to open.

Application

AVTA SS for aggressive media.

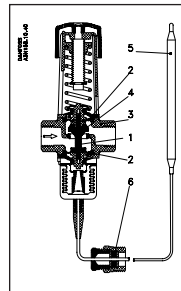
A valve body in stainless steel means that the valve can be used for aggressive media in such applications as the marine sector and the chemical industry.

For extremely aggressive media the valve can be supplied in titanium (please contact Danfoss).

AVTA SS valves have an adsorption charge as standard.

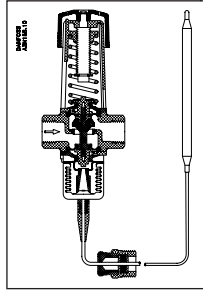
AVTA SS can also be supplied with mass charge or universal charge (please contact Danfoss).

Materials



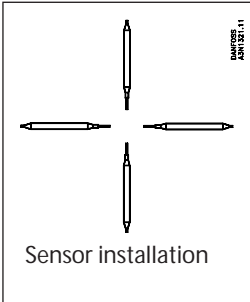
| No. | Description | Material |
|-----|----------------------|--|
| 1 | Spindle | Stainless steel W.no. 1.4539 (EN 10088); UNS N 08904 |
| 2 | Diaphragms | Rubber - ethylene - propylene (EPDM). |
| 3 | Valve body | Stainless steel W.no. 1.4581 (EN10213-4); AISI 318 |
| 4 | Valve cone | Nitrile rubber (NBR) |
| 5 | Sensor | Copper (DIN 1787) W.no. 2.0090 |
| 6 | Capillary tube gland | Nitrile rubber (NBR), Brass (DIN 17660) W.no. 2.0321 / 2.0401 |

Ordering
AVTA in stainless steel
with adsorption charge



- Wide regulating range
- Can be installed in any position as far as orientation and - temperature are concerned
- Withstands up to +130°C sensor temperature
- Small sensor dimensions
 - Ø 9,5 x 160 mm
- Max. pressure on sensor 25 bar.

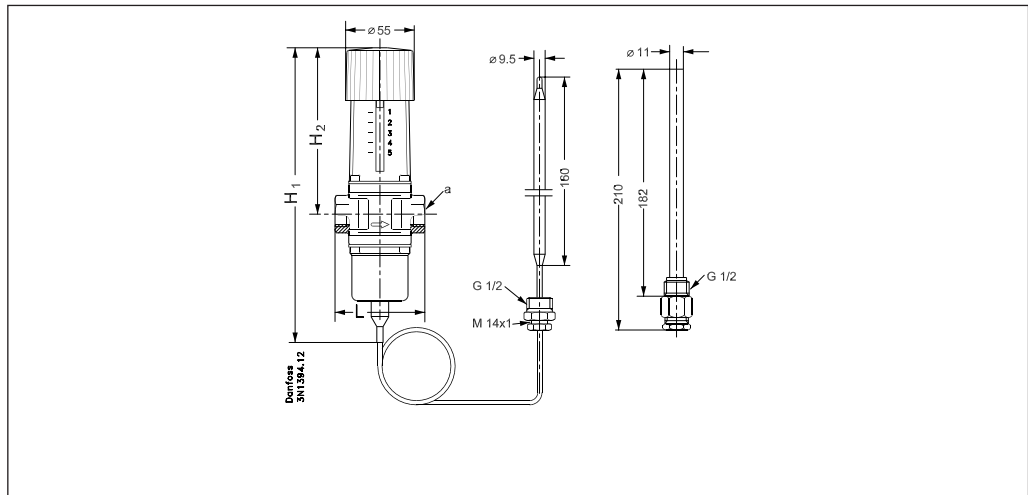
The charge consists of active carbon and CO₂ which is adsorbed on falling sensor temperature and thereby produce pressure changes in the element.



| Connection | Regulating range [°C] | Max.temp. sensor [°C] | k _v value (m ³ /h at Δp = 1 bar) | Capillary tube length [m] | Type | Code no. ¹⁾ |
|------------|-----------------------|-----------------------|--|---------------------------|---------|------------------------|
| G 1/2 | +10 to +80 | 130 | 1.9 | 2.3 | AVTA 15 | 003N2150 |
| G 3/4 | | | 3.4 | | AVTA 20 | 003N3150 |
| G 1 | | | 5.5 | | AVTA 25 | 003N4150 |

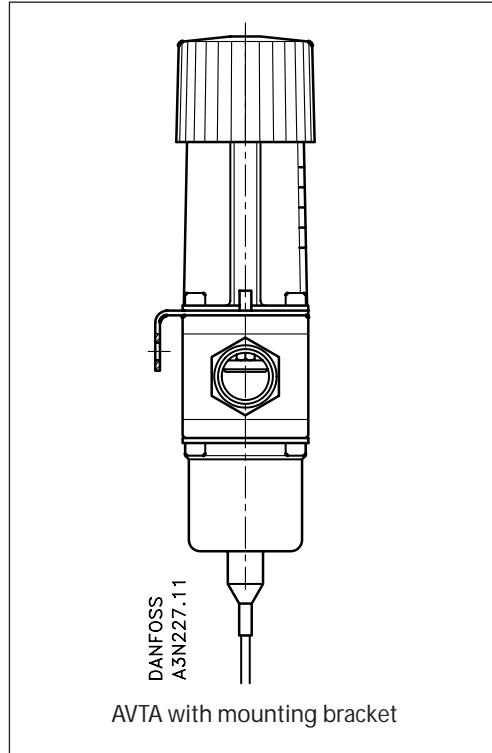
1) Code no. covers complete valve incl. capillary tube gland.
 Immersion pockets, see "Spare parts and accessories", page 8.

Dimensions



| Type | H ₁ [mm] | H ₂ [mm] | L [mm] | a ISO 228/1 |
|---------|---------------------|---------------------|--------|-------------|
| AVTA 15 | 240 | 133 | 72 | G 1/2 |
| AVTA 20 | 240 | 133 | 90 | G 3/4 |
| AVTA 25 | 240 | 138 | 95 | G 1 |

Installation



The valves can be installed in any position. An arrow on the valve body indicates the direction of flow. AVTA valves are also marked so that the letters RA can be read straightforwardly when the valve is held as shown. The installation of an FV filter ahead of the valve is recommended - see separate data sheet DKACV.PD.600.B.

Capillary tube
Install the capillary tube without sharp bends (no "kinks"). Relieve the capillary tube at the ends. Relief is important where vibration might occur.

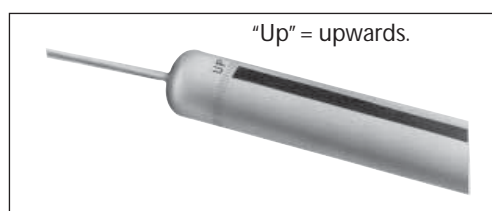
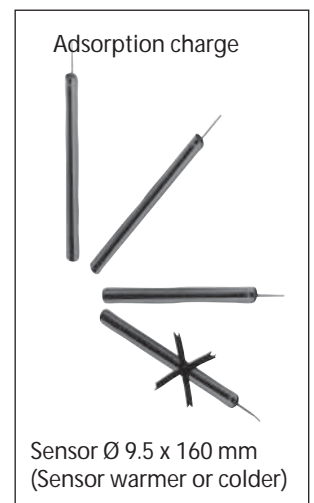
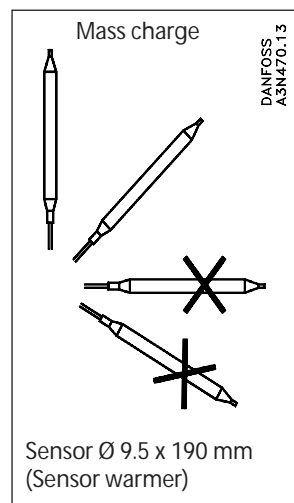
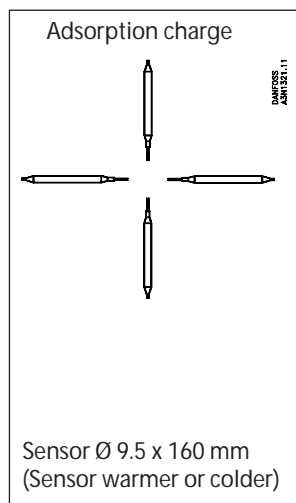
Note
Where AVTA is used, the sensor must be able to react to variations in cooling water temperature on system start. Therefore a bypass line with a shut-off valve might be necessary to ensure flow at the sensor during start-up.

If a mounting bracket is used - see "Spare parts and accessories" page 8 - it must always be between valve body and setting section (see illustration).

Sensor installation

If an immersion sensor is installed, the use of heat-conductive compound is recommended. This will reduce reaction time. See "Spare parts and accessories"; page 8.

AVTA with small sensor (Ø 9.5 x 190 mm) must always be installed in the flow line, where the regulated liquid is coldest ("sensor warmer").



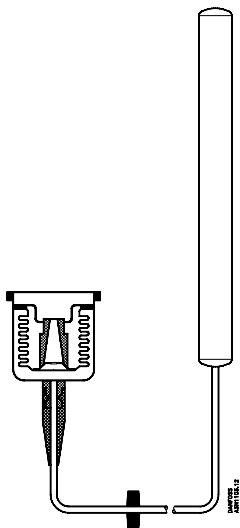
Accessories

| | Designation | Description | Code no. |
|--|--|--|----------|
| | Immersion sensor max. pressure 50 bar L = 220 mm | Brass for Ø 18 sensor G 3/4 | 003N0050 |
| | | Brass for Ø18 mm sensor 3/4 - 14 NPT | 003N0051 |
| | | 18/8 steel ¹⁾ for Ø18 sensor G 3/4 | 003N0192 |
| | Immersion sensor max. pressure 50 bar L = 182 mm | Brass for Ø 9.5 sensor G 1/2 | 017-4367 |
| | | 18/8 steel ¹⁾ for Ø 9.5 sensor G 1/2 | 003N0196 |
| | Immersion sensor max. pressure 50 bar L = 182 mm | 18/8 steel ¹⁾ for Ø 9.5 sensor G 1/2 For armoured capillary tube | 003N0199 |
| | Mounting bracket | For AVTA | 003N0388 |
| | Heat-conductive compound | 5 gram tube | 041E0110 |
| | | 0.8 kg | 041E0111 |
| | Capillary tube gland | G 1/2 | 017-4220 |
| | | G 3/4 | 003N0155 |
| | | 3/4 - 14 NPT | 003N0056 |

1) W. no. 1.4301

Spare parts

Service elements for AVTA



| | Temperature range [°C] | Capillary tube length [m] | Code no. |
|---|---------------------------|------------------------------|----------|
| Adsorption charge - sensor Ø 9.5 x 160 mm | +10 → +80 | 2.3 | 003N0278 |
| Universal charge - sensor Ø 18 x 210 mm | 0 → +30 | 2 | 003N0075 |
| | | 5 | 003N0077 |
| | +25 → +65 | 2 | 003N0078 |
| | | 5 | 003N0080 |
| | | 2 (armoured) | 003N0063 |
| | | 3 | 003N0079 |
| +50 → +90 | 2 | 003N0062 | |
| | 3 | 003N0089 | |
| Mass charge - sensor Ø9.5 x 190 mm | 0 → +30 | 2 | 003N0066 |
| | | 2 | 003N0091 |
| | +25 → +65 | 5 | 003N0068 |

Sizing

When sizing and selecting thermostatic valves, it is most important to ensure that the valve is able to give the necessary quantity of cooling water at any time, irrespective of the load. Therefore, to select a suitable size of valve it is necessary to know the precise amount of cooling required. On the other hand, to avoid the risk of unstable regulation (hunting), the valve should not be oversized. The type of charge must be selected on the basis of the temperature to be maintained, and on an assessment of the characteristics of each type, as described in the foregoing.

In general the aim should be to select the smallest valve capable of giving the required flow.

It is also recommended that the temperature range be chosen so that the required sensor temperature lies in the middle of the regulation range.

To help fine-setting the valve, a thermometer should be installed near the sensor.

Valve size

The following data are used when selecting valve size:

- Required cooling water flow, Q [m³/h]
- Temperature rise in cooling water, [Δt] (°C)
- Differential pressure across valve, [Δp] (bar).

With fully open valve the differential pressure should be around 50% of the total pressure drop across the cooling system.

The diagrams on page 10 are intended to make valve sizing easier.

Fig. 1 - Relation between heat quantity [kW] and cooling water quantity

Fig. 2 - Graphs of k_v values

Fig. 3 - Valve operating range

Fig. 4 - Flow quantities as a function of pressure drop [Δp]

Example

A cooling water valve must be selected for the temperature regulation of a vacuum pump.

Since direct regulation of the oil temperature is required, an AVTA valve is suitable. The sensor position is horizontal - and small dimensions are desired.

Given data:

- Necessary cooling at full load 10 kW.
- Oil temperature to be maintained constant at +45°C
- Cooling water p₁ = 3 bar
- Outlet p₃ = 0 bar

$$p_2 = \frac{p_1 + p_3}{2} \text{ (guess)}$$

- Cooling water temperature t₁ = +20°C
- Outlet temperature t₂ = +30°C

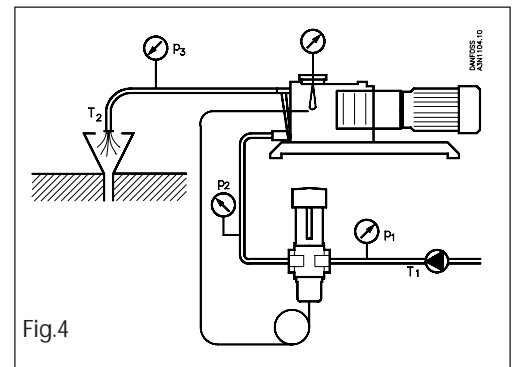
1. The graphs in fig. 1 can be used to find the necessary cooling water quantity at Δt = 10°C (+30°C - +20°C) to 0.85 m³/h.

The graphs in fig. 2 show the necessary k_v value for 0.85 m³/h with

$$\Delta p = p_1 - p_2 = 3 - 1.5 = 1.5 \text{ bar for } 0.7 \text{ m}^3/\text{h}.$$

The columns in fig. 3 show that all four AVTA valves can be used, but in practice an AVTA 10 or 15 shall be selected, so the necessary water flow is in the middle of the regulating range.

The above considerations apply to both AVTA and FVA types.



Operating conditions and other product requirements in this example mean that a valve with adsorption charge is the correct choice. The temperature range +10 → +80°C is in order.

The table at the top of page 3 shows AVTA 10, code no. 003N1144, or AVTA 15, code no. 003N0107. Both fulfil the requirements named.

In many applications, installation conditions make the use of sensor pockets advisable.

"Accessories" on page 8 gives the code nos. for sensor pockets for Ø 9.5 mm sensors in brass and stainless steel: 017-4367 and 003N0196, respectively.

Sizing

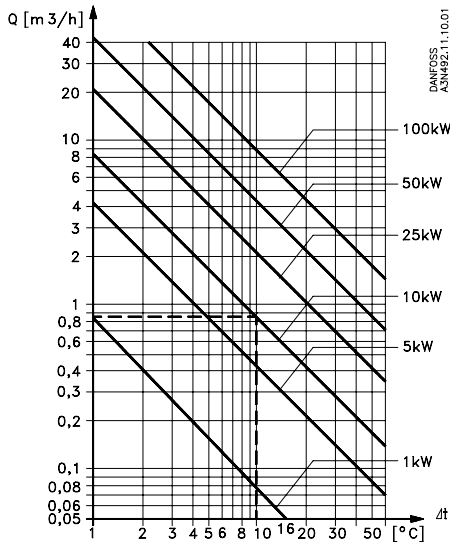


Fig. 1
Heating or cooling with water.
Example: Necessary cooling output 10 kW with $\Delta t = 10^\circ\text{C}$
Required flow $0.85 \text{ m}^3/\text{h}$.

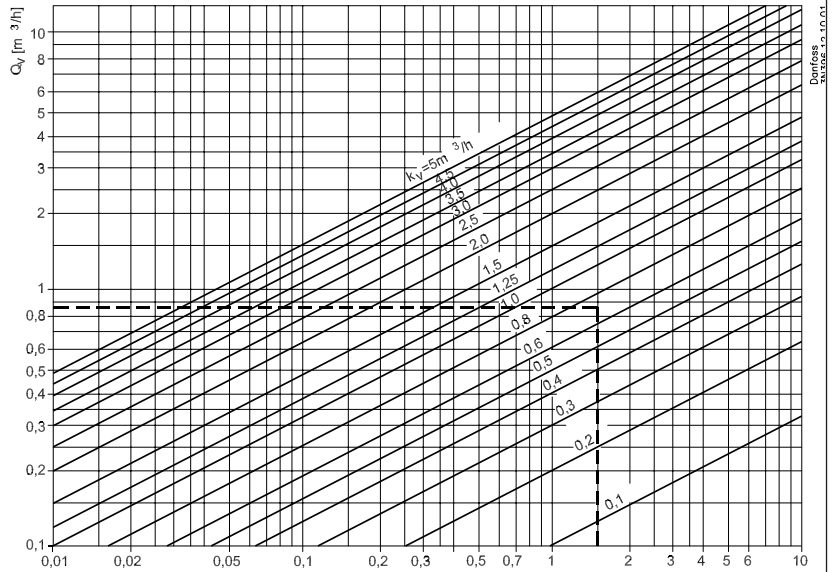


Fig. 2
Relation between water quantity and pressure drop across valve.
Example: Flow $0.85 \text{ m}^3/\text{h}$ with a pressure drop of 1.5 bar.
The k_v value becomes $0.7 \text{ m}^3/\text{h}$.

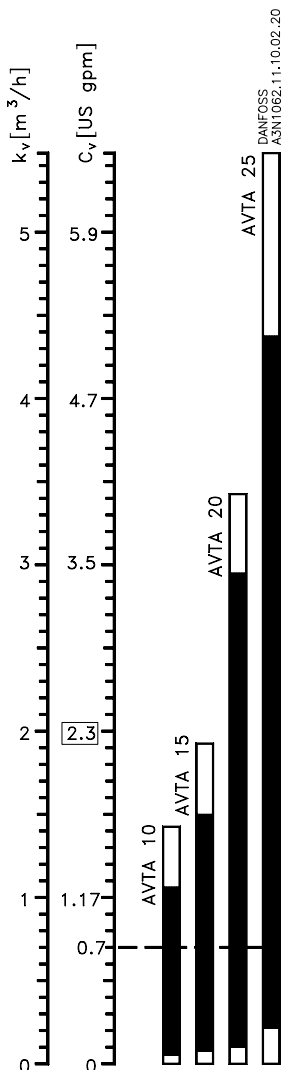


Fig. 3
Nomogram showing the valve k_v range. k_v values are always given for water flow in m^3/h with a pressure drop Δp of 1 bar. The valve should be selected so that the necessary k_v value lies in the middle of the regulation range.
Example: AVTA 10 and 15 are the most suitable for a k_v value of 0.7

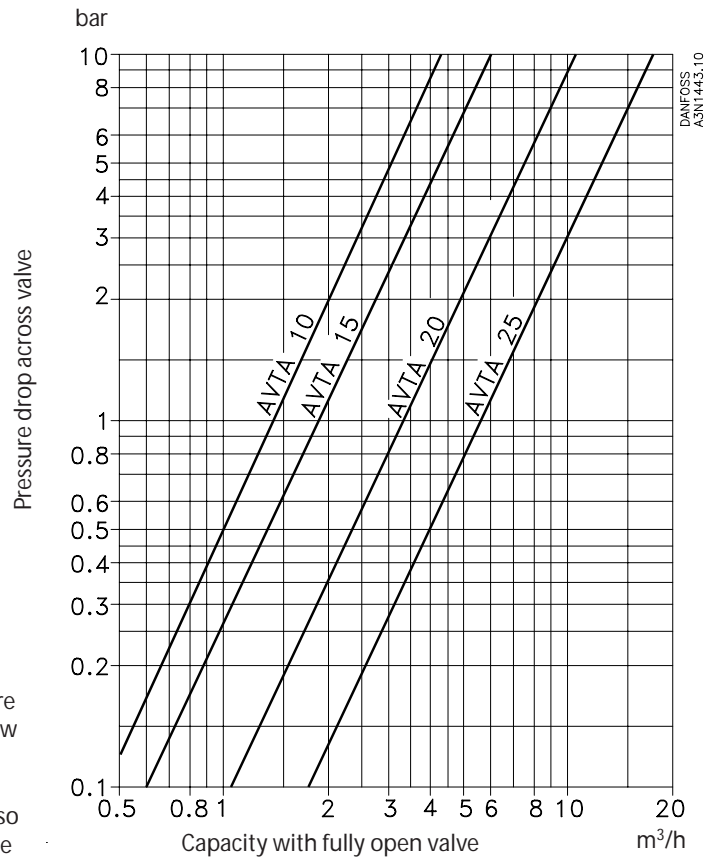


Fig. 4
Valve flow quantity in fully open position, as a function of pressure drop Δp .

Options

- DZR brass
- Outer thread connecting
- Other lengths of capillary tubes
- Armouring of capillary tubes
- Other combinations of sizes and ranges

Danfoss can accept no responsibility for possible errors in catalogues, brochures and other printed material. Danfoss reserves the right to alter its products without notice. This also applies to products already on order provided that such alterations can be made without subsequential changes being necessary in specifications already agreed. All trademarks in this material are property of the respective companies. Danfoss and the Danfoss logotype are trademarks of Danfoss A/S. All rights reserved.
