

'08 Series Notification Appliances

AS / AH & AS – Audible Strobe Appliances and AH Audibles

Application: Indoor / Outdoor



AS-MC-CW



AS-MC-R



AH-W



AH-R

Product Overview

- Fast installation with In / Out screw terminals using #12 to #18 AWG wires
- Synchronization can be accomplished using the Siemens DSC sync modules, FS-250 panel, XLS panel, MXL panel, or PAD-3 power supply with built-in sync protocol
- 3 Selectable dBA settings of 90/95/99 dBA Anechoic in both tones
- Selectable Continuous Horn or Temporal (Code 3)
- Wall mounts are available with field-selectable Candela settings: 15/30/75/110cd or 135/185cd
- Ceiling-mount models are available with field-selectable Candela settings: 15/30/75/95cd or 115/177cd (multi-Candela ceiling models)
- Weatherproof models are available for outdoor use
- ©UL Listed & ©ULC Listed;
FM, CSFM & NYMEA Approved
- ADA / NFPA / UFC / ANSI compliant

Specifications

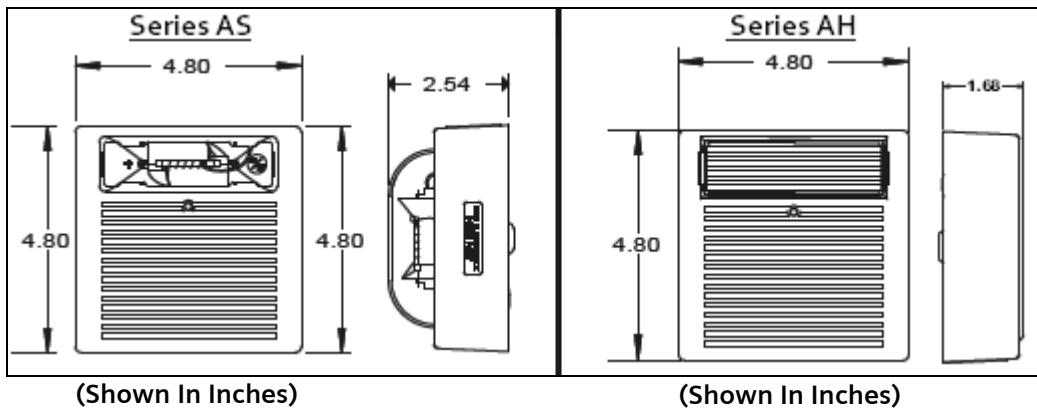
- Notification appliances shall be Siemens Series AS Audible Strobe appliances and Series AH Audible appliances or approved equals
- Series AS Audible be listed for ©UL Standard 1971 (Emergency Devices for the Hearing-Impaired for Indoor Fire Protection Service)
- Series AH Audible shall be ©UL Listed under Standard 464 (Fire Protective Signaling)
- All inputs shall be compatible with standard reverse polarity supervision of circuit wiring by the Fire Alarm Control Panel (FACP)
- The audible portion of the appliance shall have a minimum of three (3) field-selectable settings for dBA Anechoic levels, and shall have a choice of continuous or temporal (Code 3) audible outputs
- Strobe portion of the appliance shall produce a flash rate of one (1) flash per second over the Regulated Input Voltage Range, and shall incorporate a Xenon flashtube enclosed in a rugged Lexan® lens



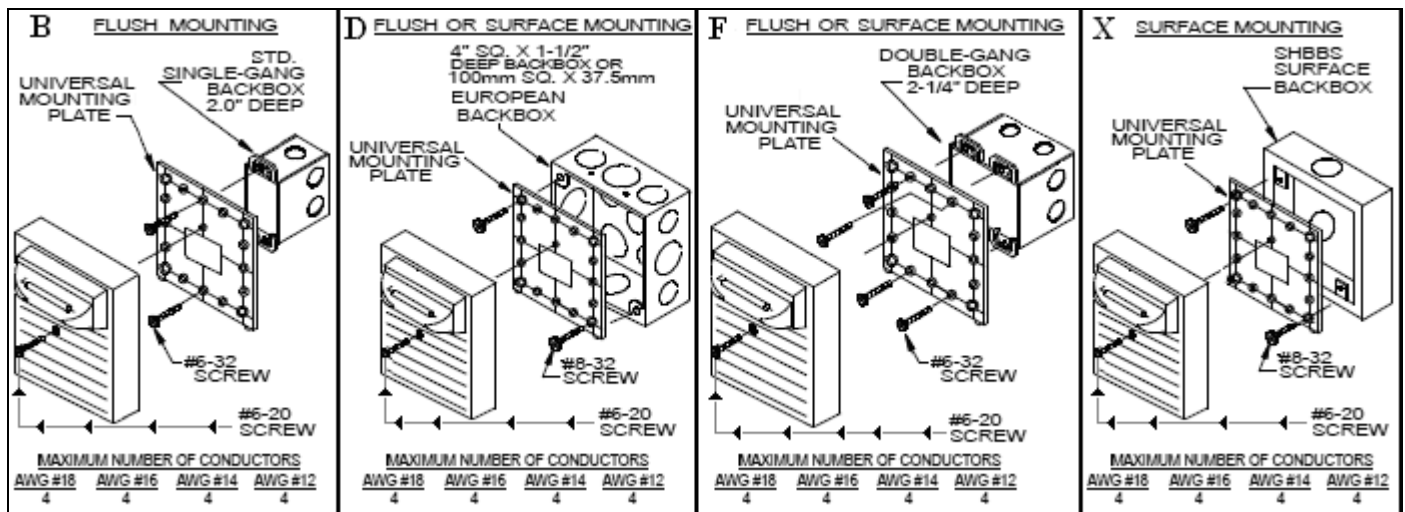
Specifications – (continued)

- Series AS shall be of low-current design
- Strobe intensity, where Multi-Candela appliances are specified, shall have field-selectable settings, and shall be rated per UL Standard 1971 for:
 - 15/30/75/110cd
 - 135/185cd
- The appliance, when synchronization is required, shall be compatible with Siemens' DSC Sync Modules or Siemens PAD-3 Power Supplies with built-in Siemens Proprietary Sync Protocol
- The strobes shall not drift out of synchronization at any time during operation
- The strobes shall revert to a non-synchronized flash-rate, if the sync module or Power Supply should fail to operate (i.e. – contacts remain closed)
- The appliance shall also be designed so that the audible signal may be silenced while maintaining strobe activation when used with Siemens synchronization
- The Series AS Audible Strobe and Series AH Audible shall incorporate a Patented Universal Mounting Plate that shall allow mounting to a single-gang, double-gang, 4-inch square, 100mm European type backboxes, or the SHBBS Surface Backbox
- All notification appliances shall listed for Special Applications:
 - Strobes are designed to flash at 1-flash-per-second minimum over their "Regulated Input Voltage Range"
- **Note:** NFPA-72 specifies a flash rate of 1-to-2 flashes per second, and ADA Guidelines specify a flash rate of 1-to-3 flashes per second
 - All Candela ratings represent minimum-effective Strobe intensity, based on UL Standard 1971

Mounting Diagram



Mounting Options



Technical Data

Model*	UL Listed Ratings		Description	UL dBA Sound Output			
	Operating Voltage (Special Application) [Per UL 1971/464] (VDC/VRMS)	Strobe Candela (cd)		Volume (LEVEL)	Reverberant [Per UL 464 @ 10 Ft.]		
AS-MC	16.0-33.0	15/30/75/95	Continuous Horn	Low	80	83	86
				Medium	85	88	91
				High	88	91	93
			Code 3 Horn or March Time**	Low	75	79	82
				Medium	80	84	86
				High	84	87	89

* Available in red and white

**Available in sync mode only

- Notes:**
1. Strobe will produce 1 flash per second over the Input Voltage range.
 2. This strobe/horn model meets the required light distribution patterns defined in UL 1971
 3. This model is UL Listed for indoor use with a temperature range of +32°F to +120°F (0°C to +49°C) and maximum humidity of 93% + 2% RH. The effect of shipping and storage temperatures shall not adversely affect the performance of the appliance when it is stored in the original cartons and not subjected to misuse or abuse.

Model AH	UL / ULC Listed Models & Ratings			ULC Current Ratings (for Model AH)					
	Operating Voltage (Special Application) [Per UL 464]	ULC Voltage Range	Maximum RMS Current (AMPS)			Volume (LEVEL)	Average Current (AMPS)		
DC	16-33VDC	20-31VDC	Lo	Med	Hi	Low	.014	.017	.021
FWR	16-33VRMS	20-31VRMS	0.021	0.043	0.080	Medium	.020	.025	.030
			0.041	0.051	0.090	High	.035	.050	.065

Description	Volume (LEVEL)	UL / ULC dBA Sound Output			ULC dBA Sound Output		
		Reverberant [Per UL 464 @ 10 Ft.]			Anechoic dBA [Per ULC-S525-99]		
Continuous Horn	Low	80	83	86	88	90	92
	Medium	85	88	91	90	95	97
	High	88	91	93	92	97	99
Code 3 Horn or March Time**	Low	75	79	82	88	90	92
	Medium	80	84	86	90	95	97
	High	84	87	90	92	97	99

**Available in sync mode only

ULC Directional Characteristics
-3 dBA: 48 degrees left, 41 degrees right
-6 dBA: 50 degrees left, 58 degrees right

Note: All models are UL / ULC Listed for indoor use with a temperature range of +0°C to +49°C (+32°F to +120°F) and maximum humidity of 93%.

Technical Data – (continued)

		®UL Current Ratings (AMPS) Maximum RMS Current with <u>Hi</u> dBA Setting			
		15cd	30cd	75cd	95cd
DC	16-33VDC	0.101	0.147	0.235	0.303
FWR	16-33VRMS	0.144	0.202	0.324	0.424

		®UL Current Ratings (AMPS) Maximum RMS Current with <u>Med</u> dBA Setting				®UL Current Ratings (AMPS) Maximum RMS Current with <u>Low</u> dBA Setting			
		15cd	30cd	75cd	95cd	15cd	30cd	75cd	95cd
DC	16-33VDC	0.085	0.130	0.213	0.285	0.079	0.120	0.210	0.279
FWR	16-33VRMS	0.132	0.185	0.312	0.414	0.122	0.180	0.308	0.409

Note: These notification appliances are ®UL Listed as “Special Application”. They are intended to be used only with Siemens notification appliance circuits.

®UL Listed Ratings		
Model	Operating Voltage (Special Application) [Per ®UL 1971] (VDC/VRMS)	Strobe Candela (cd)
AS-HMC-C*	16.0-33.0	115/177

* Available in red and white

		®UL dBA Sound Output			
		Volume	Reverberant [Per ®UL 464 @ 10 Ft.]		
Description		(LEVEL)	16.0 VDC	24.0 VDC	33.0 VDC
Continuous Horn	Low		80	83	86
	Medium		85	88	91
	High		88	91	93
Code 3 Horn or March Time**	Low		75	79	82
	Medium		80	84	86
	High		84	87	90

** Available in sync mode only

- Notes:**
1. Strobe will produce 1 flash per second over the Input Voltage range.
 2. This strobe/horn model meets the required light distribution patterns defined in ®UL 1971
 3. This model is ®UL Listed for indoor use with a temperature range of +32°F to +120°F (0°C to +49°C) and maximum humidity of 93% + 2% RH. The effect of shipping and storage temperatures shall not adversely affect the performance of the appliance when it is stored in the original cartons and not subjected to misuse or abuse.

Technical Data – (continued)

®UL Current Ratings (AMPS)
Maximum RMS Current
with Hi dBA Setting

		135cd	185cd
DC	16-33VDC	0.335	0.460
FWR	16-33VRMS	0.470	0.665

®UL Current Ratings (AMPS)
Maximum RMS Current
with Med dBA Setting

		135cd	185cd
DC	16-33VDC	0.340	0.465
FWR	16-33VRMS	0.480	0.675

®UL Current Ratings (AMPS)
Maximum RMS Current
with Low dBA Setting

		135cd	185cd
DC	16-33VDC	0.335	0.470
FWR	16-33VRMS	0.460	0.665

Details for Ordering – (Including Mounting Options & Agency Approvals)

Agency Approvals

Model Number	Part Number	Wall Mount	Ceiling Mount	Description	Mounting Options*	UL	ULC	FM	CSFM
AS-MC-R	500-636010	X	–	AS Horn: Multi-Candela, Red	A,B,D,E,F,G,J,N,R,X	X	X	X	X
AS-MC-W	500-636011	X	–	AS Horn: Multi-Candela, White	A,B,D,E,F,G,J,N,R,X	X	X	X	X
AS-HMC-R	500-636012	X	–	AS Horn: Hi Multi-Candela, Red	A,B,D,E,F,G,J,N,R,X	X	X	X	X
AS-HMC-W	500-636013	X	–	AS Horn: Hi Multi-Candela, White	A,B,D,E,F,G,J,N,R,X	X	X	X	X
AS-MC-CR	500-636006	–	X	AS Horn: Multi-Candela Ceiling, Red	A,B,D,E,F,G,J,N,R,X	X	X	X	X
AS-MC-CW	500-636007	–	X	AS Horn: Multi-Candela Ceiling, White	A,B,D,E,F,G,J,N,R,X	X	X	X	X
AS-HMC-CR	500-636008	–	X	AS Horn: Hi Multi-Candela Ceiling, Red	A,B,D,E,F,G,J,N,R,X	X	X	X	X
AS-HMC-CW	500-636009	–	X	AS Horn: Hi Multi-Candela Ceiling, White	A,B,D,E,F,G,J,N,R,X	X	X	X	X
AS-HMC-CR-WP	500-636181	–	X	AS Horn: Hi Multi-Candela Ceiling Weatherproof, Red	I	X	X	X	X
AS-HMC-CW-WP	500-636182	–	X	AS Horn: Hi Multi-Candela Ceiling Weatherproof, White	I	X	X	X	X
AS-HMC-R-WP	500-636183	X	–	AS Horn: Hi Multi-Candela Wall Weatherproof, Red	I	X	X	X	X
AS-HMC-W-WP	500-636184	X	–	AS Horn: Hi Multi-Candela Wall Weatherproof, White	I	X	X	X	X
AS-75-R-WP	500-636016	X	–	AS Horn: 75CD Weatherproof, Red	I	X	X	X	X
AS-75-CR-WP	500-636015	–	X	AS Horn: 75CD Ceiling Weatherproof, Red	I	X	X	X	X
AH-R	500-636003	X	X	AH Horn, Red	A,B,D,E,F,G,J,N,R,X	X	X	X	X
AH-W	500-636004	X	X	AH Horn, White	A,B,D,E,F,G,J,N,R,X	X	X	X	X
AH-R-WP	500-636005	X	X	AH Horn: Weatherproof, Red	K	X	X	X	X

X = listed / approved

* = Refer to catalog sheet #: 2585 for detailed mounting options

Notice: This marketing catalog sheet is not intended to be used for system design or installation purposes. For the most up-to-date information, refer to each product's installation instructions.